



低复用率通用**LCD**驱动器

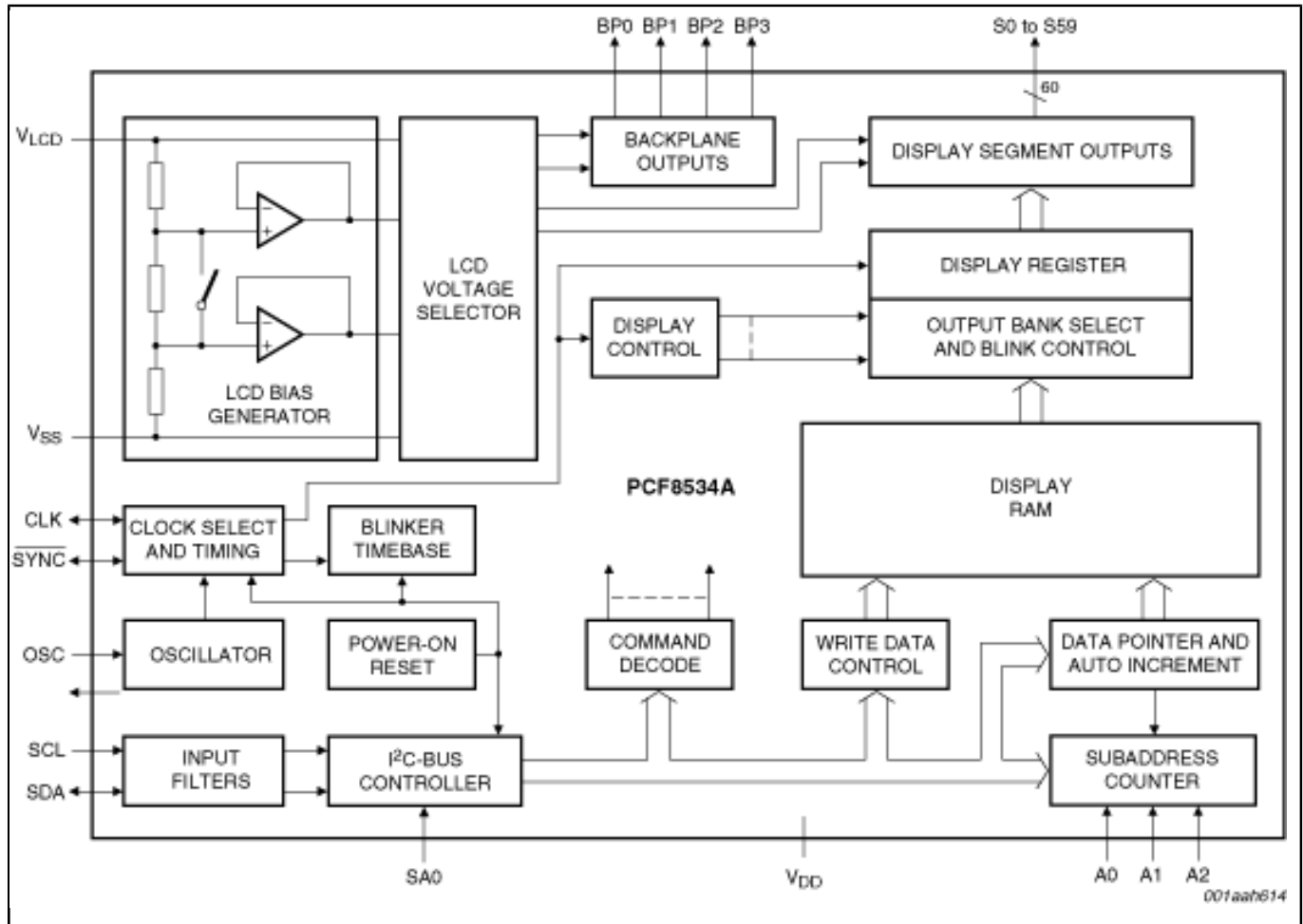
PCF8534AU

Last Updated: Apr 9, 2022

PCF8534A是一款外围器件，能驱动几乎任何低复用率液晶显示器(LCD)。可为任何包含最多**4**背板和**60**分段的静态或多路复用**LCD**生成驱动信号。方便级联进行大型**LCD**应用。PCF8534A兼容大多数微控制器并通过两线双向**I²C**总线进行通信。通过带有自动递增寻址的显示RAM、硬件从地址寻址以及显示存储器切换（静态和多路复用驱动模式）使通信开销最小化。

PCF8534AHL不得用于新设计。推荐的替代产品：**PCF85134HL**

Block diagram: PCF8534AH, PCF8534AHL, PCF8534AU Block Diagram



View additional information for [低复用率通用LCD驱动器](#).

Note: The information on this document is subject to change without notice.

www.nxp.com

NXP and the NXP logo are trademarks of NXP B.V. All other product or service names are the property of their respective owners. The related technology may be protected by any or all of patents, copyrights, designs and trade secrets. All rights reserved. © 2024 NXP B.V.