



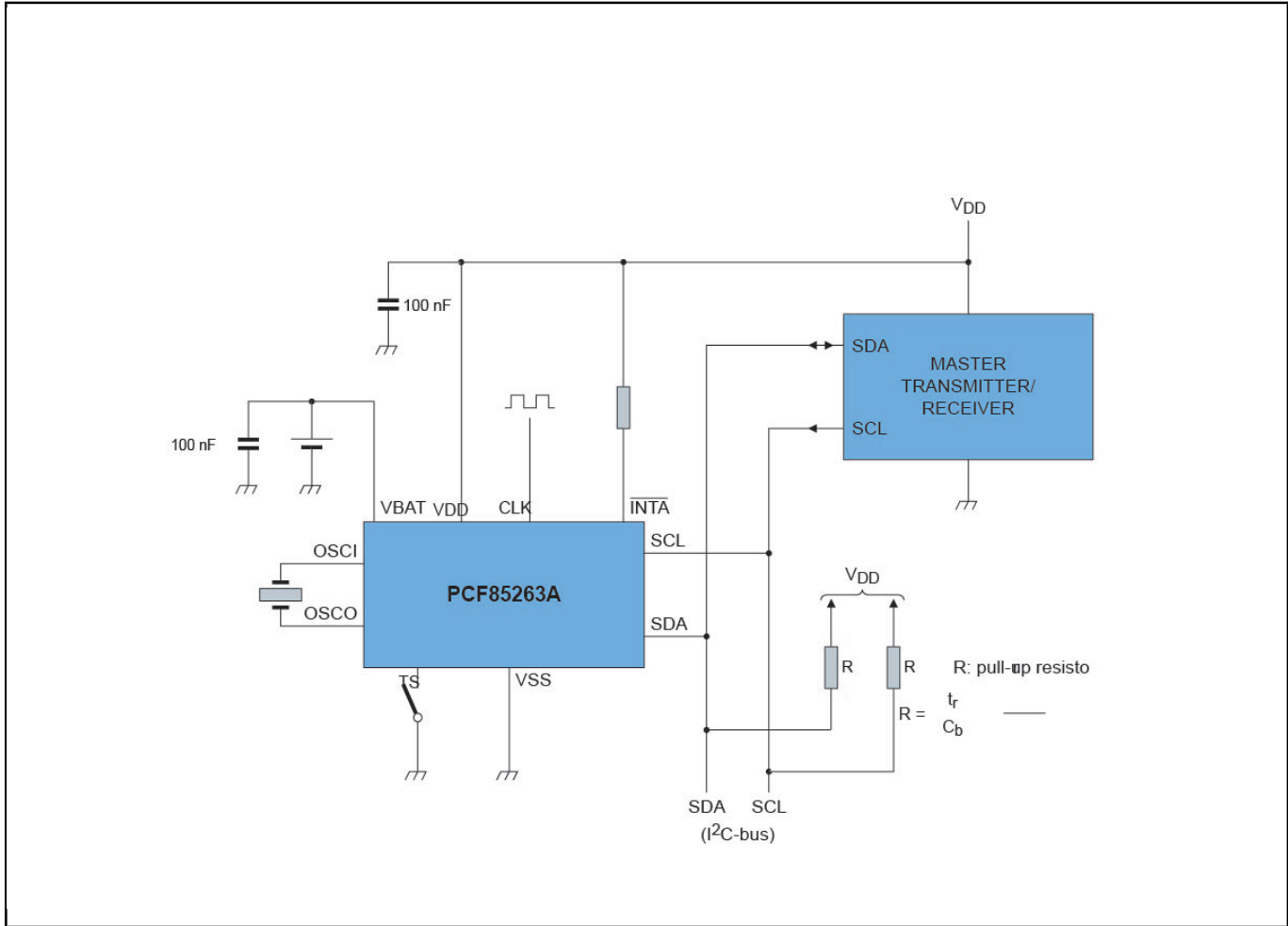
# 微型实时时钟/日历，提供报警功能、电池切换、时间戳输入和I<sup>2</sup>C总线

## PCF85263A

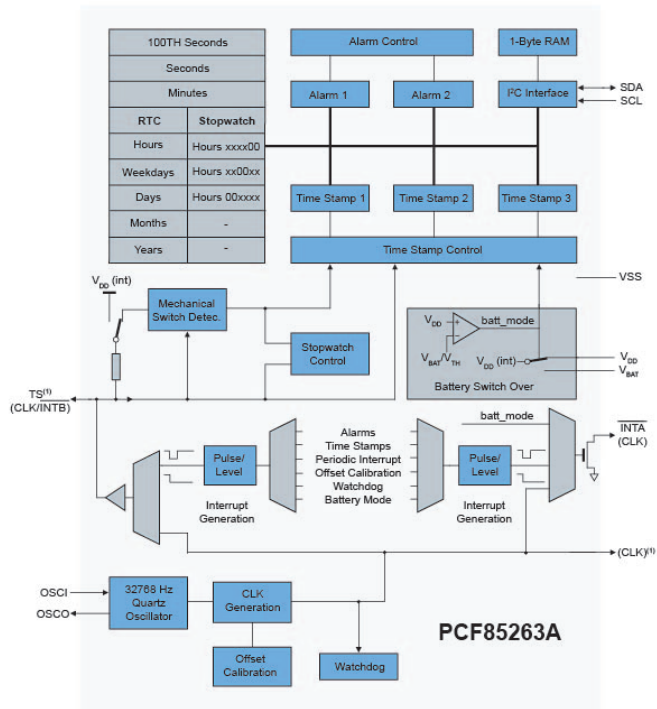
Last Updated: Aug 12, 2022

PCF85263A是一款CMOS实时时钟(RTC)和日历，适用于低功耗应用，并在市电电源损耗时自动切换到电池。RTC也可以配置为秒表(已用时间计数器)。从电池切换以及输入驱动事件可触发三个时间日志寄存器。具有时钟输出和两个独立的中断信号、两个报警器、I<sup>2</sup>C接口和石英晶体校准。

# PCF85263A Block Diagram Block Diagram



# PCF85263A Application Diagram Block Diagram



View additional information for [微型实时时钟/日历，提供报警功能、电池切换、时间戳输入和I<sup>2</sup>C总线](#).

**Note:** The information on this document is subject to change without notice.

[www.nxp.com](http://www.nxp.com)

NXP and the NXP logo are trademarks of NXP B.V. All other product or service names are the property of their respective owners. The related technology may be protected by any or all of patents, copyrights, designs and trade secrets. All rights reserved. © 2024 NXP B.V.