



具有备用电池的精确**RTC** – 可选的**I2C**总线或**SPI**

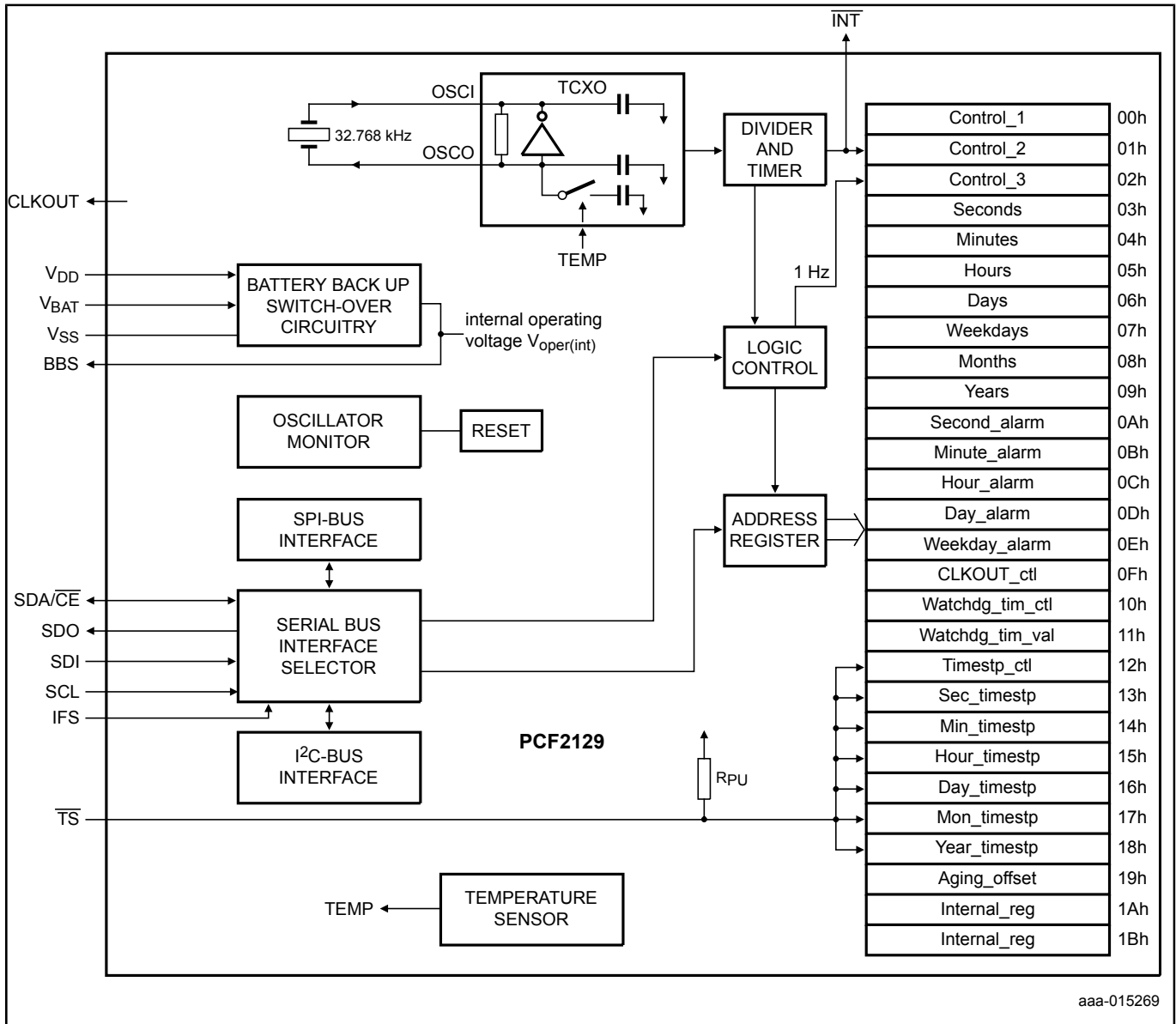
PCF2129

建议不要在新设计中使用该软件
建议不要在新设计中使用本页介绍的产品。

Last Updated: Oct 4, 2023

PCF2129是一款**CMOS**实时时钟和日历，集成了温度补偿晶体振荡器(**TCXO**)和**32.768 KHz**石英晶体，优化后适用于高精度和低功耗应用。**PCF2129**具有可选的**I²C**总线或**SPI**总线、备用电池切换电路、可编程看门狗功能、时间戳功能及许多其他特性。

PCF2129 Block Diagram Block Diagram



View additional information for [具有备用电池的精确RTC – 可选的I2C总线或SPI](#).

Note: The information on this document is subject to change without notice.

www.nxp.com

NXP and the NXP logo are trademarks of NXP B.V. All other product or service names are the property of their respective owners. The related technology may be protected by any or all of patents, copyrights, designs and trade secrets. All rights reserved. © 2024 NXP B.V.