



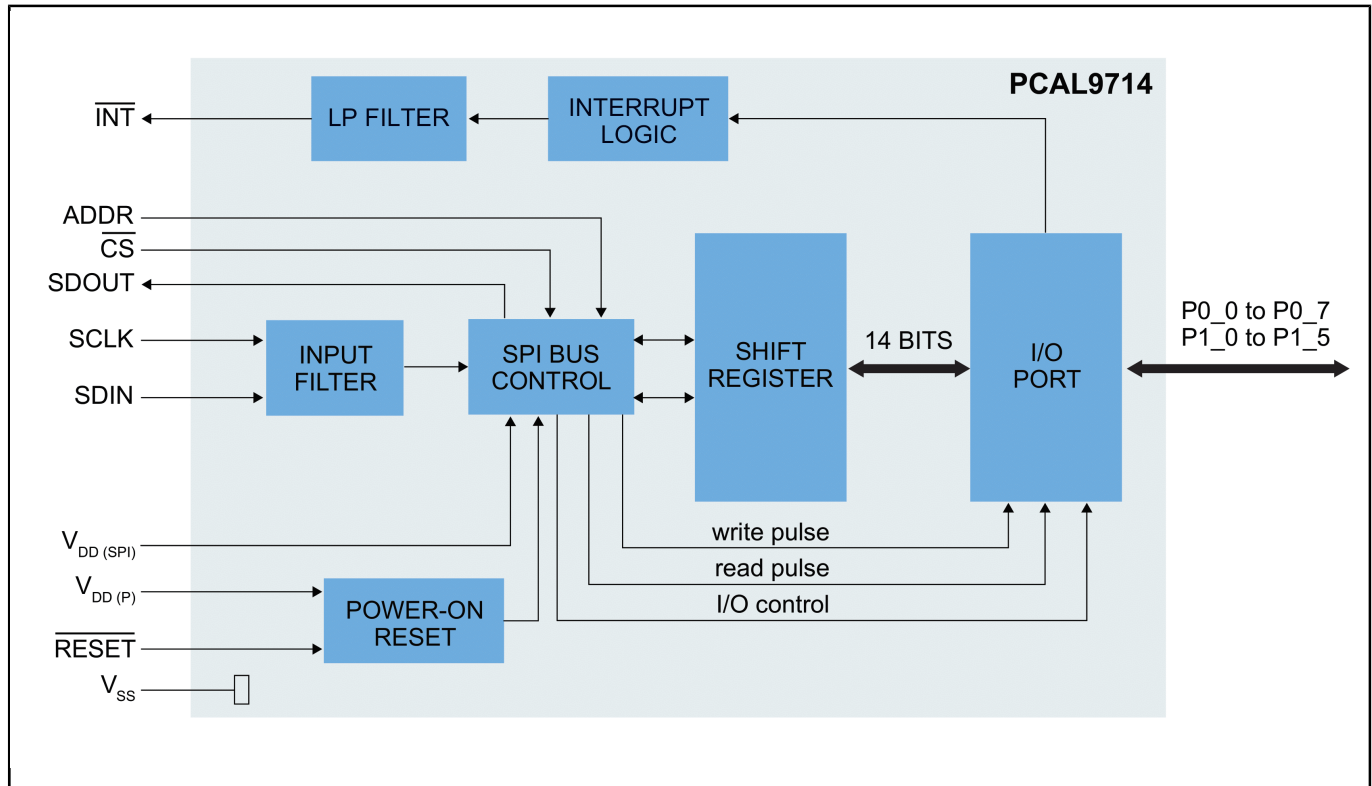
# 带敏捷I/O功能的**14位SPI I/O**扩展器

## PCAL9714

Last Updated: Aug 28, 2023

PCAL9714是一款具有SPI接口的超低压**14位I/O**扩展器和转换器，非常适合要求将输入和输出扩展到现有微处理器并缩短设计周期的各种应用。集成敏捷的I/O功能，进一步实现灵活且可配置的设计，包括推挽或开漏输出、中断状态寄存器、四种不同的输出驱动强度、上拉和下拉电阻器的使能和电阻选择器以及中断屏蔽选项。

## PCAL9714 Block Diagram



View additional information for [带敏捷I/O功能的14位SPI I/O扩展器](#).

**Note:** The information on this document is subject to change without notice.

[www.nxp.com](http://www.nxp.com)

NXP and the NXP logo are trademarks of NXP B.V. All other product or service names are the property of their respective owners. The related technology may be protected by any or all of patents, copyrights, designs and trade secrets. All rights reserved. © 2024 NXP B.V.