



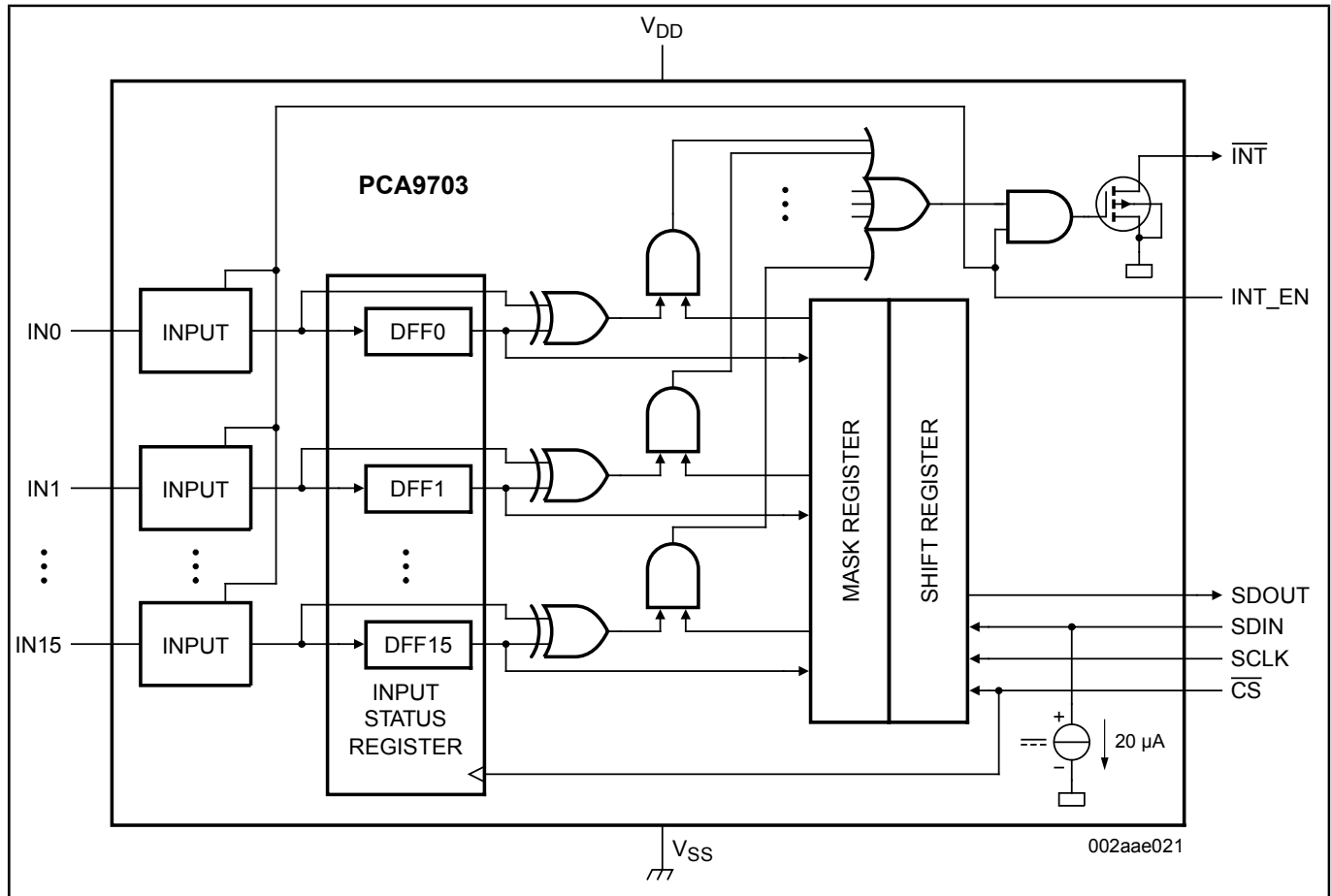
# 带有INT的18 V耐受SPI 16位GPI

## PCA9703

Last Updated: May 20, 2022

PCA9703是一款低功率18 V容限SPI通用输入(GPI)移位寄存器，主要用于监视开关输入的状态。它会在一个或多个开关输入改变状态时生成中断，但允许使用中断屏蔽功能使所选输入不生成中断。当输入电平大于 $0.8 \times VDD$ 时，将其识别为高电平，而当其小于 $0.55 \times VDD$ （5 V节点处的最低电平阈值为2.5 V）时，将其识别为低电平。PCA9703可监视最多16个开关输入。

# PCA9703 Block Diagram Block Diagram



View additional information for [带有INT的18 V耐受SPI 16位GPI](#).

**Note:** The information on this document is subject to change without notice.

[www.nxp.com](http://www.nxp.com)

NXP and the NXP logo are trademarks of NXP B.V. All other product or service names are the property of their respective owners. The related technology may be protected by any or all of patents, copyrights, designs and trade secrets. All rights reserved. © 2024 NXP B.V.