



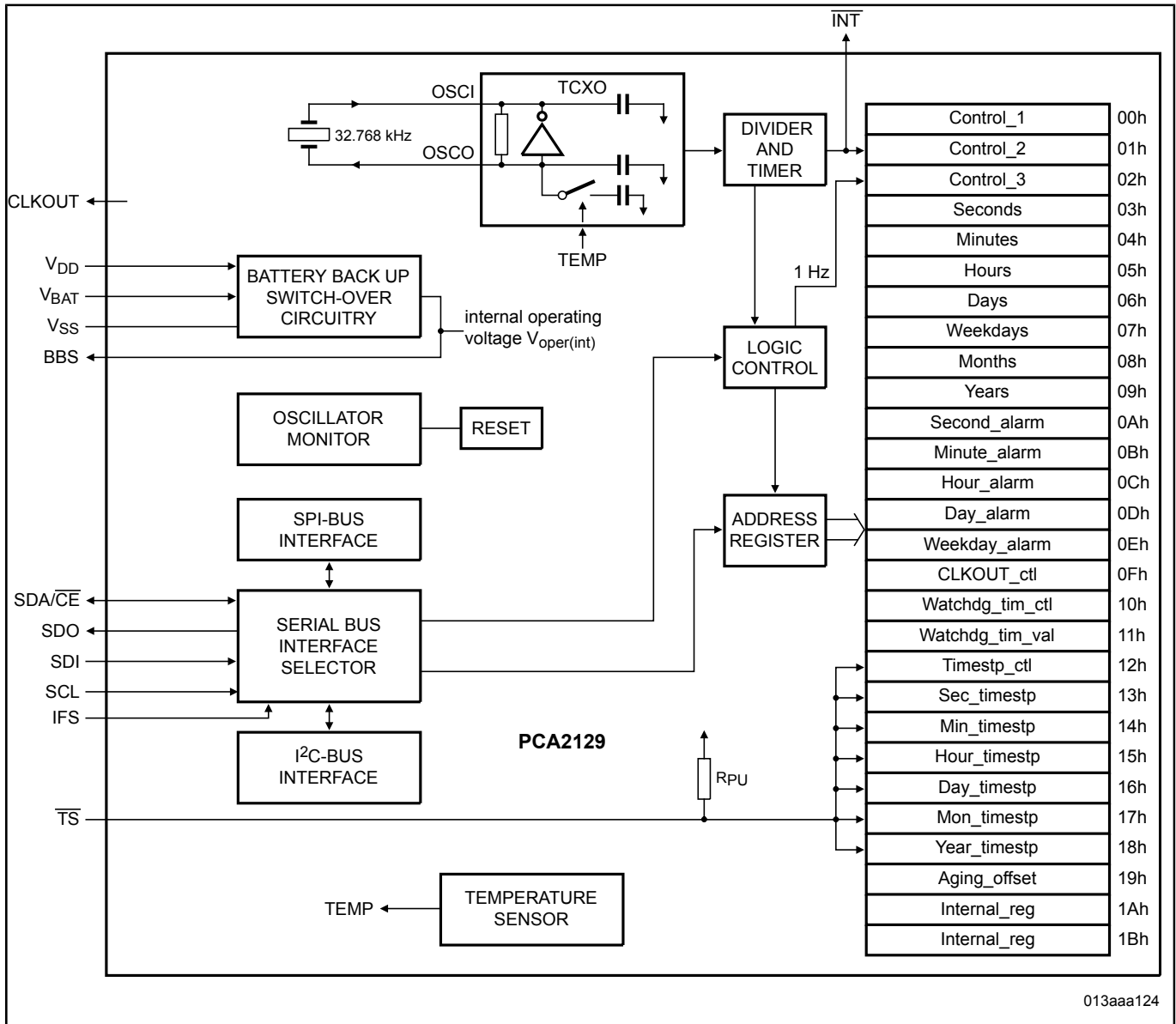
面向汽车应用的精确RTC，带集成石英晶振

PCA2129

Last Updated: Jun 7, 2022

PCA2129是一款带有集成温度补偿晶体(Xtal)振荡器(TCXO)和32.768 kHz石英晶体（优化成极高精度和极低功耗）的CMOS实时时钟(RTC)和日历。PCA2129具有可选的I²C总线或SPI总线、备用电池切换电路、可编程看门狗功能、时间戳功能及许多其他功能。

PCA2129 Block Diagram Block Diagram



View additional information for [面向汽车应用的精确RTC，带集成石英晶振](#).

Note: The information on this document is subject to change without notice.

www.nxp.com

NXP and the NXP logo are trademarks of NXP B.V. All other product or service names are the property of their respective owners. The related technology may be protected by any or all of patents, copyrights, designs and trade secrets. All rights reserved. © 2024 NXP B.V.