



I3C/I2C总线、精度为**2.0°C**的数字温度传感器

P3T2030xUK

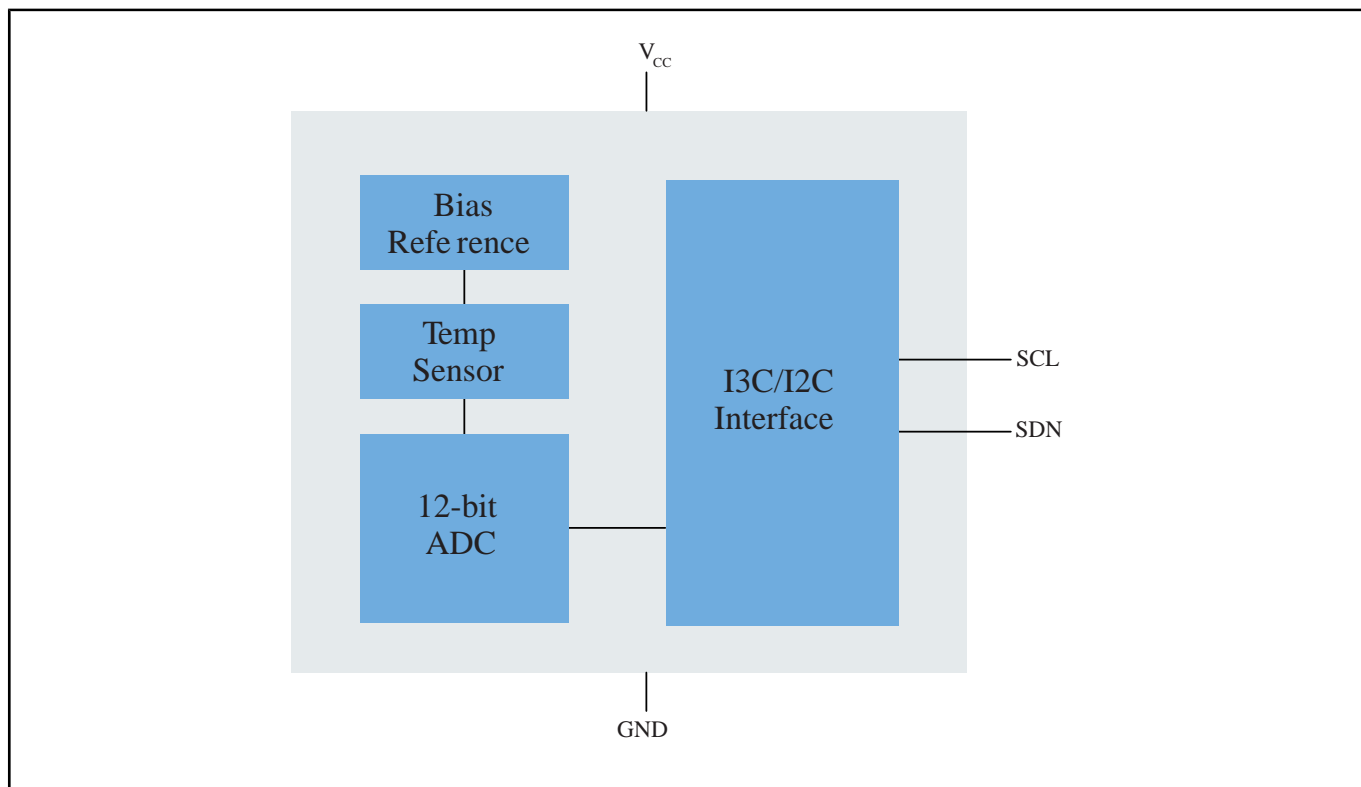
Last Updated: Oct 19, 2023

P3T2030xUK是一款温度-数字转换器，温度范围为-40° C到+125° C。它搭载了片上带隙温度传感器，采用模数转换技术，具有超温检测功能。

温度寄存器始终存储**12位2进制补码**数据，温度分辨率为0.0625° C。

P3T2030xUK可以配置为不同的工作模式：连续转换模式和单一转换模式。P3T2030xUK采用WLCSP4封装，提供**8个**出厂编程设备地址选项。

P3T2030 Block Diagram



View additional information for [I3C/I2C总线、精度为2.0°C的数字温度传感器](#).

Note: The information on this document is subject to change without notice.

www.nxp.com

NXP and the NXP logo are trademarks of NXP B.V. All other product or service names are the property of their respective owners. The related technology may be protected by any or all of patents, copyrights, designs and trade secrets. All rights reserved. © 2024 NXP B.V.