



# P3A9606: 双路双向**I3C/I2C**总线和**SPI**电压电平转换器

## **P3A9606**

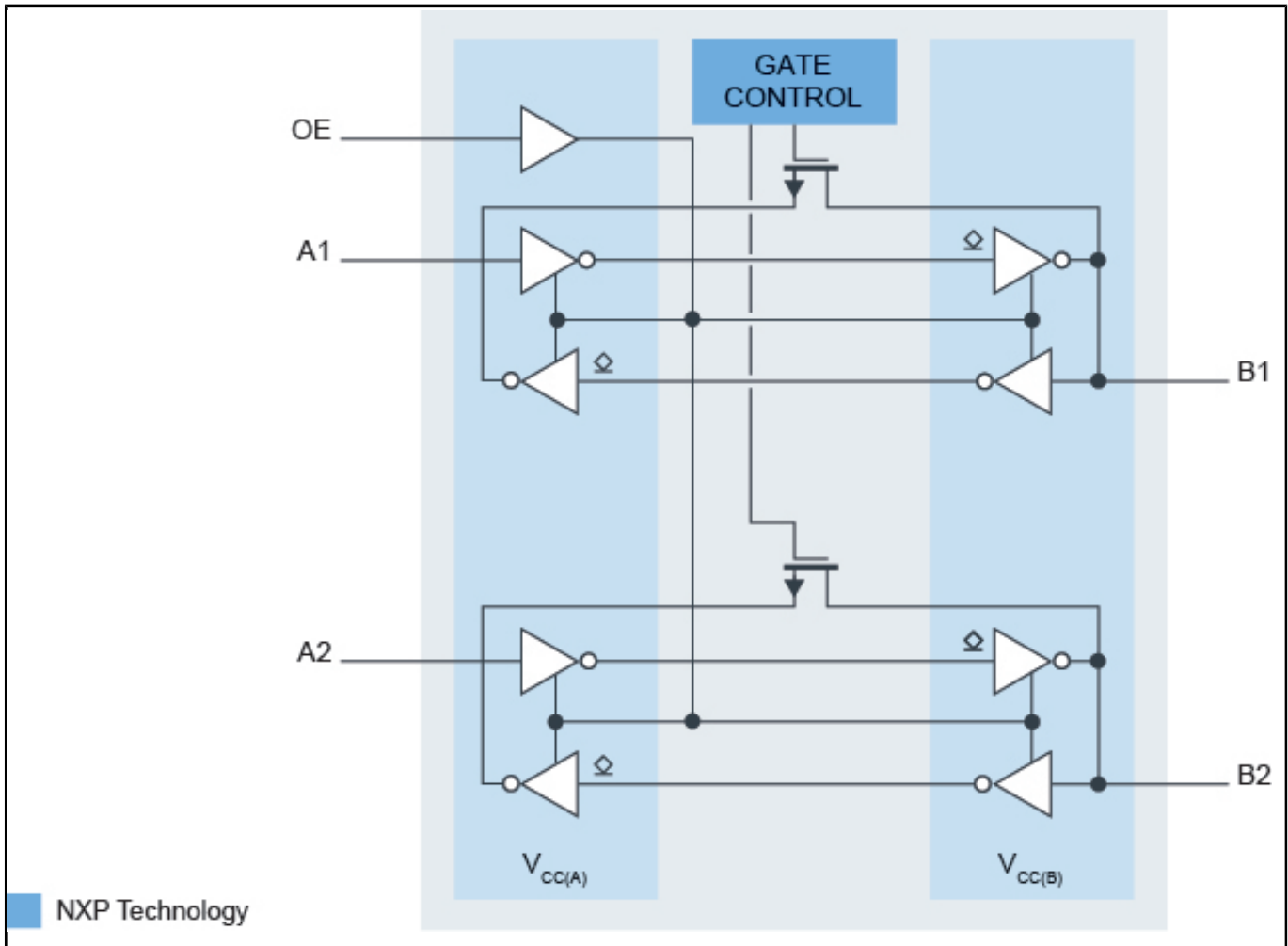
Last Updated: Mar 8, 2024

P3A9606JK是一个2位双电源转换收发器，具有自动方向感测功能，可为传统的开漏**I2C**总线/**SMBus**应用、组合开漏和推挽式**12.5MHz I3C**总线应用或推挽式**SPI**应用(带两个设备)实现双向电压电平转换。

**VCC(A)**和**VCC(B)**均可由**0.72 V**至**1.98 V**之间的任何电压供电，因此，该器件适用于任何低电压节点(**0.8 V**、**1.2 V**和**1.8 V**)之间的转换。

它有两个1位输入输出端口(**An**和**Bn**)，由一个输出使能输入(**OE**)控制。

## P3A9606 Block Diagram Block Diagram



View additional information for [P3A9606: 双路双向I3C/I2C总线和SPI电压电平转换器](#).

Note: The information on this document is subject to change without notice.

[www.nxp.com](http://www.nxp.com)

NXP and the NXP logo are trademarks of NXP B.V. All other product or service names are the property of their respective owners. The related technology may be protected by any or all of patents, copyrights, designs and trade secrets. All rights reserved. © 2024 NXP B.V.