



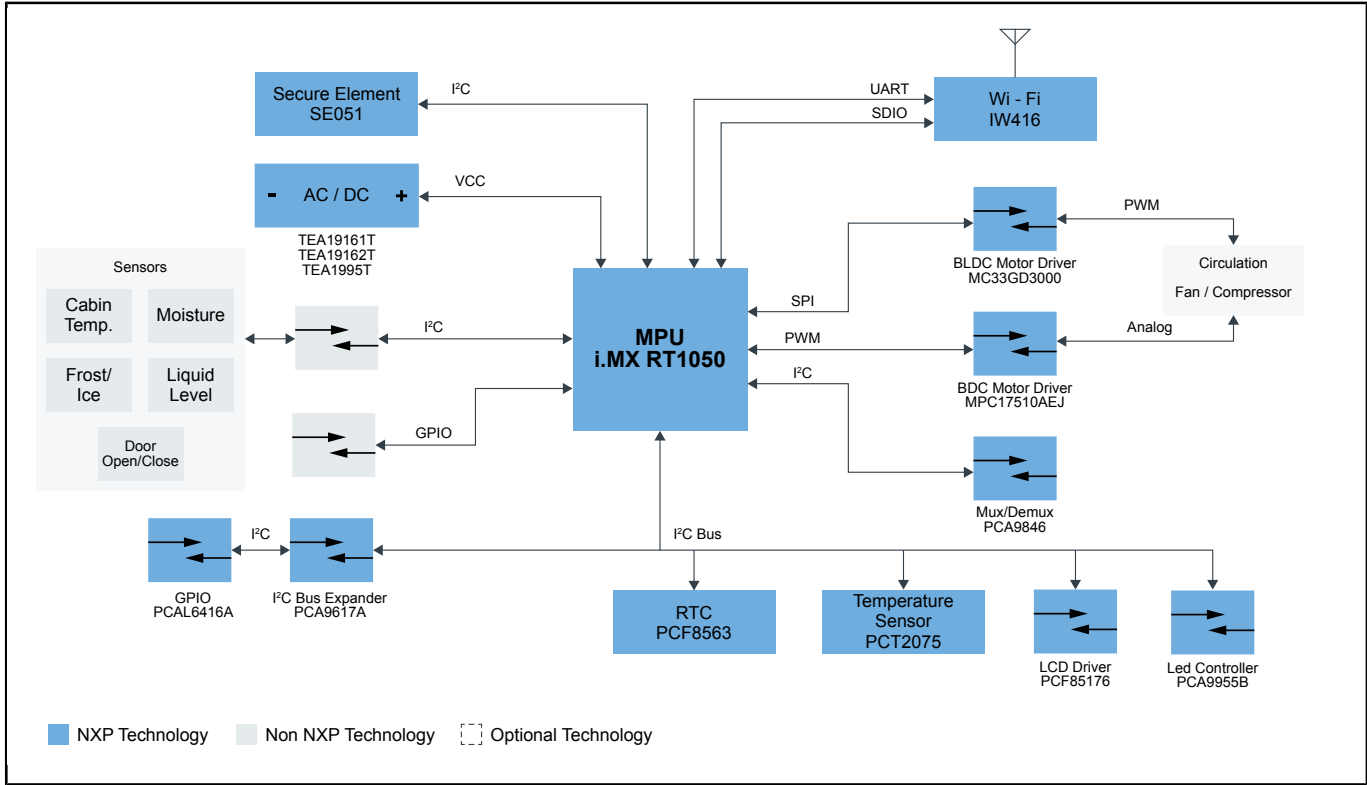
# 烤箱和炉灶

## OVENRANGE

Last Updated: Aug 10, 2023

恩智浦提供的技术和系统知识可实现安全、稳健的厨房电器解决方案。该解决方案在TSI/显示和RTC实施方面提供性能和技术支持。

# 烤箱和炉灶 Block Diagram



View additional information for [烤箱和炉灶](#).

**Note:** The information on this document is subject to change without notice.

[www.nxp.com](http://www.nxp.com)

NXP and the NXP logo are trademarks of NXP B.V. All other product or service names are the property of their respective owners. The related technology may be protected by any or all of patents, copyrights, designs and trade secrets. All rights reserved. © 2024 NXP B.V.