



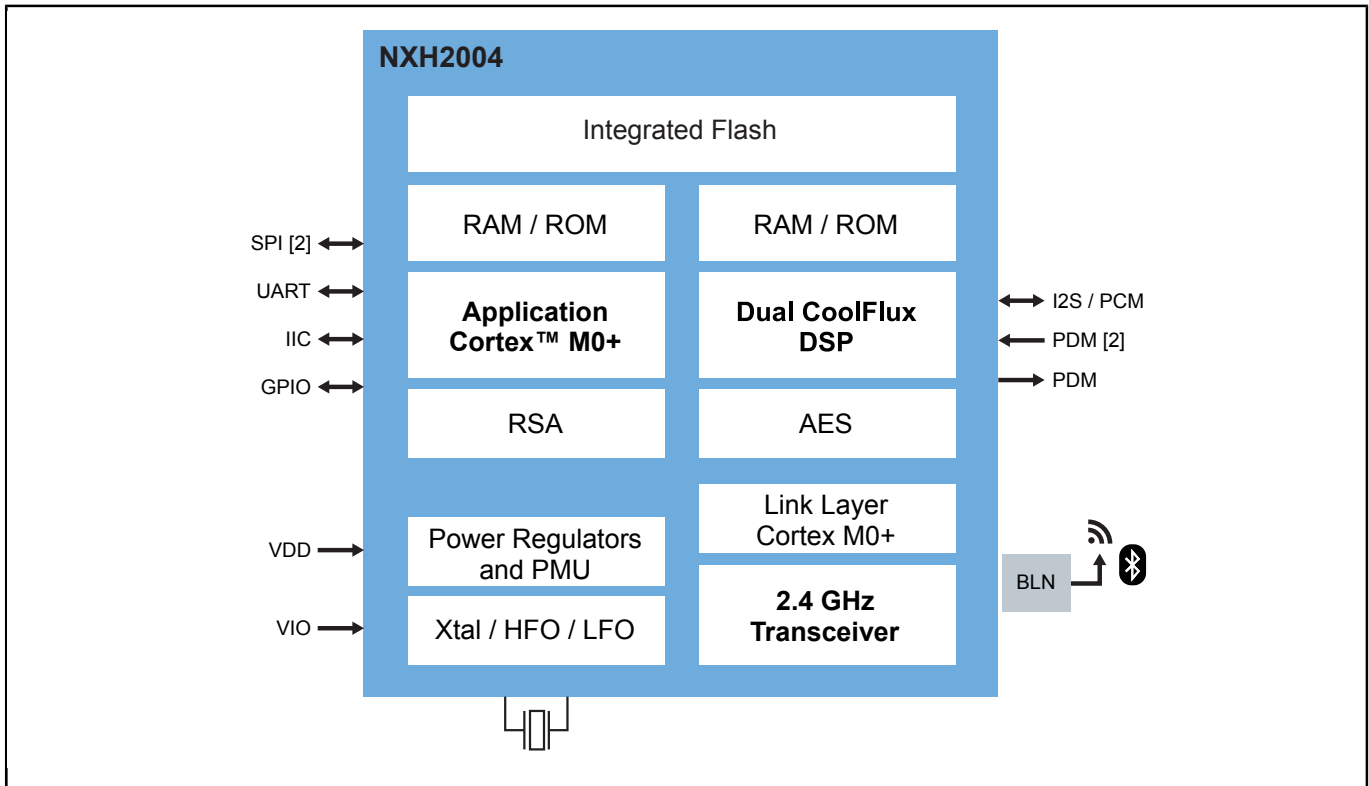
Bluetooth® LE Audio超低功耗助听器 SOC解决方案

NXH2004

Last Updated: Apr 8, 2024

NXH2004是一款经过Bluetooth 5.3 LE Audio认证的助听器SoC解决方案，支持Auracast™，采用9.1mm²小型封装。它支持MFi（iPod/iPhone/iPad专用）和ASHA（助听器音频流）以及HAP（听力访问配置文件）。该器件内置了双核音频DSP和闪存。NXH2004集成了超低功耗射频单元，延长了电池寿命，可直接使用ZnAir电池运行。当与PMIC结合使用时，NXH2004能在有限的空间内为锂离子电池设备提供一款经济高效的解决方案。

NXH2004 Block Diagram



View additional information for [Bluetooth® LE Audio超低功耗助听器SOC解决方案](#).

Note: The information on this document is subject to change without notice.

www.nxp.com

NXP and the NXP logo are trademarks of NXP B.V. All other product or service names are the property of their respective owners. The related technology may be protected by any or all of patents, copyrights, designs and trade secrets. All rights reserved. © 2024 NXP B.V.