



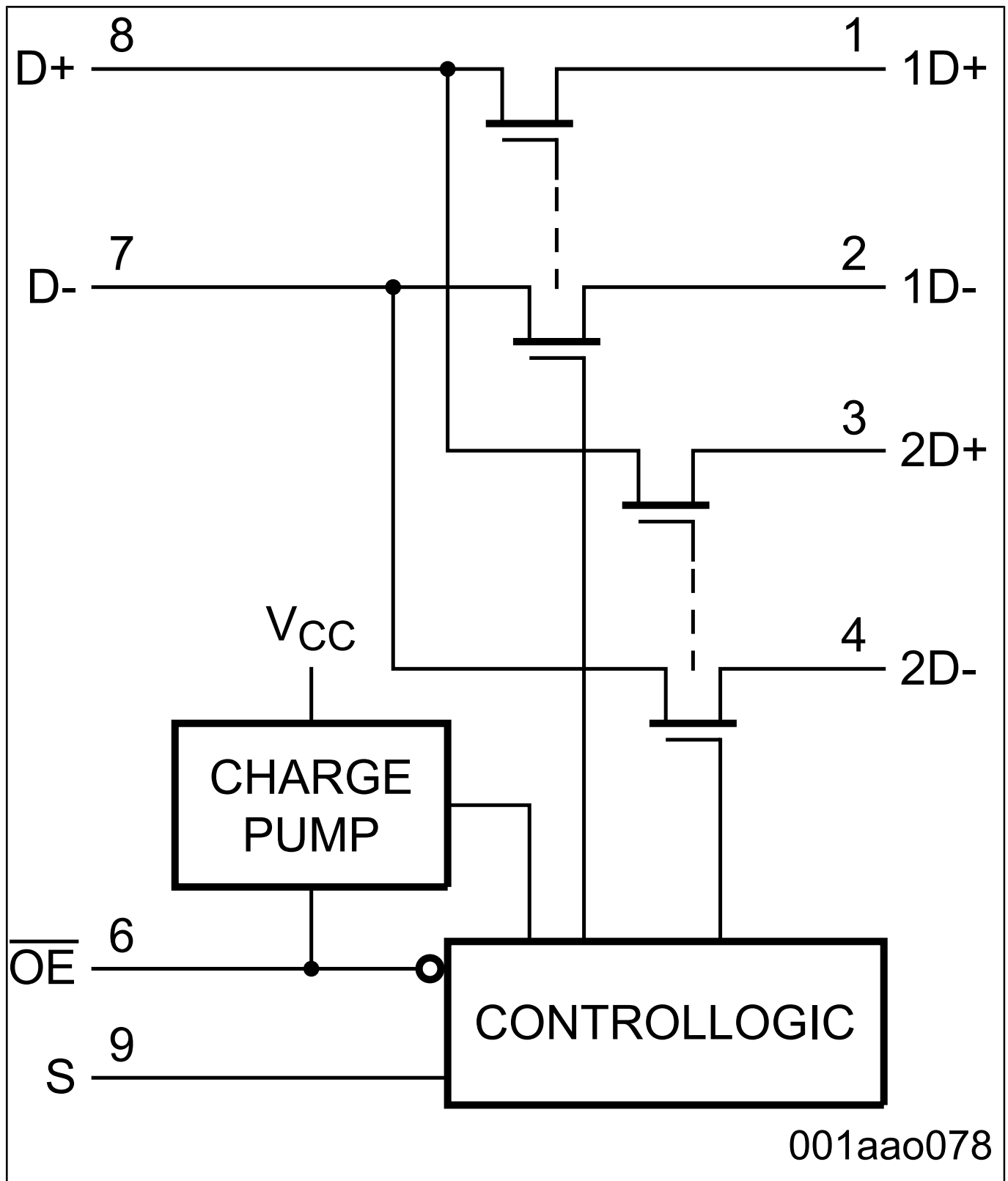
带使能功能的高速**USB 2.0**开关

NX3DV221

Last Updated: Oct 7, 2023

NX3DV221是高带宽开关，设计用于切换手机和消费电子应用（比如手机、数码相机以及带集线器的笔记本或带有限**USB I/O**的控制器）中的高速**USB2.0**信号。该开关的宽带宽（1GHz）使传输的信号具有最小边沿和相位失真。该器件可将差分输出从**USB**主机设备多路复用到两个对应输出之一。该开关为双向开关，在输出处的高速信号衰减很少或根本没有。其设计用于低位间偏斜和高通道间噪声隔离，且兼容高速**USB2.0**（480Mbps）等各种标准。

NX3DV221框图 Block Diagram



Note: The information on this document is subject to change without notice.

www.nxp.com

NXP and the NXP logo are trademarks of NXP B.V. All other product or service names are the property of their respective owners. The related technology may be protected by any or all of patents, copyrights, designs and trade secrets. All rights reserved. © 2024 NXP B.V.