



# 带**EMI**滤波器和**ESD**保护的**SIM**卡接口电平转换器

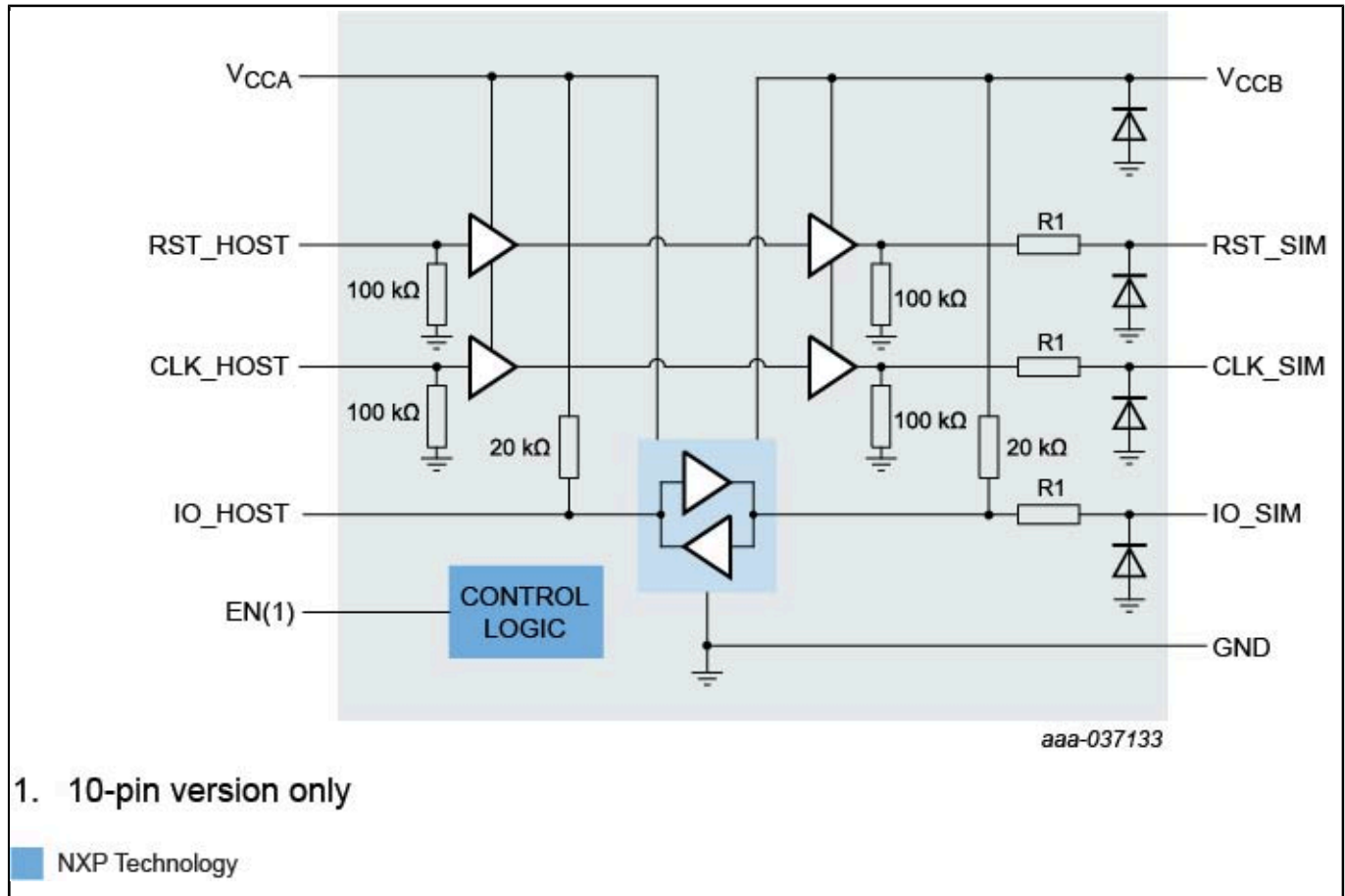
## **NVT4557**

Last Updated: Mar 25, 2024

NVT4557器件专为对接SIM卡与单个1.08 V至1.95 V低压主机端接口而构建。NVT4557包含三个1.65 V至3.6 V电平转换器，用于转换SIM卡和主机微控制器之间的数据、RSTn和CLKn信号。

NVT4557符合ISO-7816 SIM/智能卡接口要求。

# NVT4557 Block Diagram Block Diagram



View additional information for [带EMI滤波器和ESD保护的SIM卡接口电平转换器](#).

Note: The information on this document is subject to change without notice.

[www.nxp.com](http://www.nxp.com)

NXP and the NXP logo are trademarks of NXP B.V. All other product or service names are the property of their respective owners. The related technology may be protected by any or all of patents, copyrights, designs and trade secrets. All rights reserved. © 2024 NXP B.V.