



SIM卡接口电平转换器和电源电压LDO

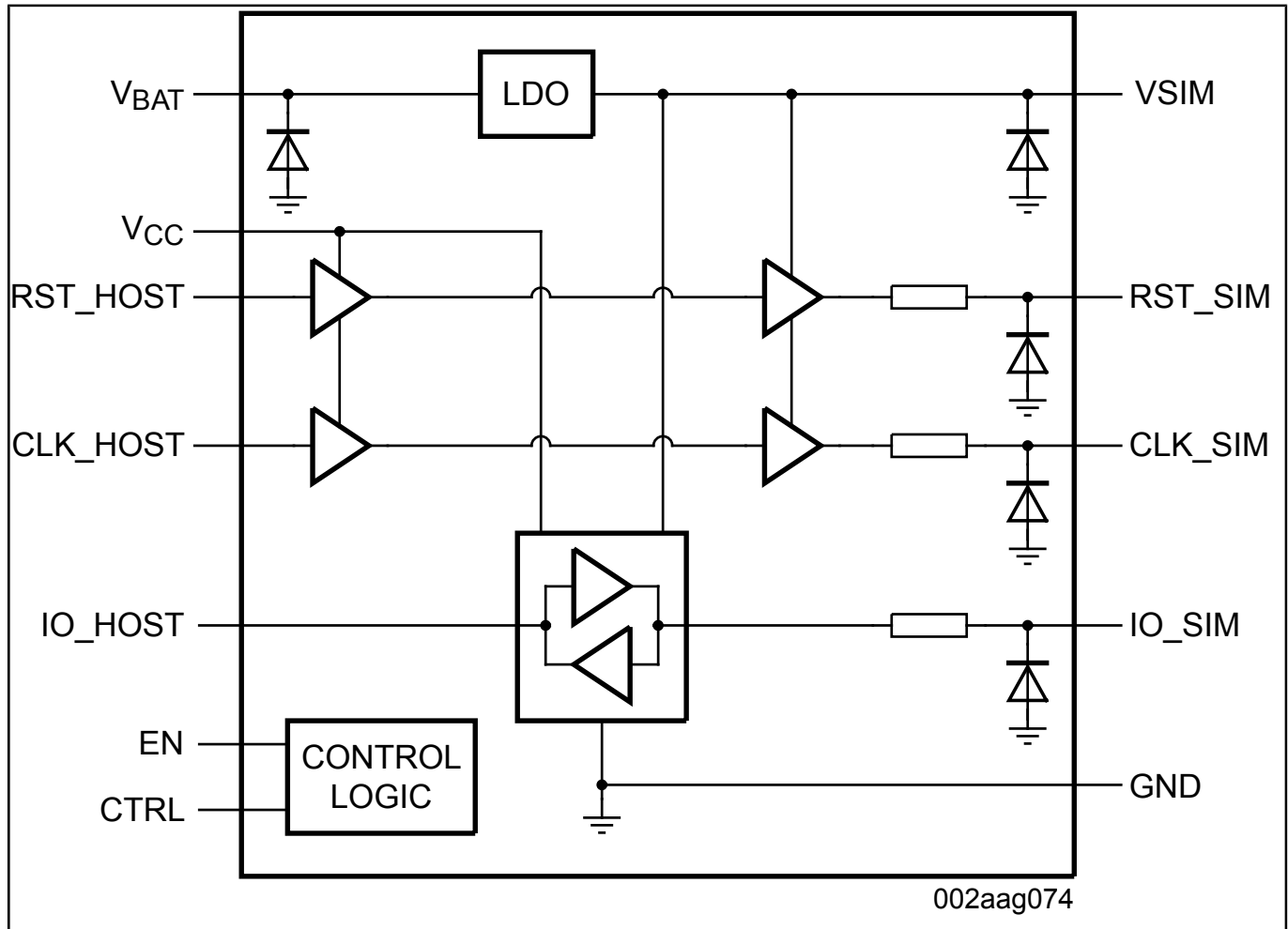
NVT4555UK

Last Updated: Mar 8, 2024

NVT4555器件用于将SIM卡连接到一个低压主机端接口。NVT4555包含LDO，可提供两种不同电压：1.8 V或2.95 V，用于最高5.25 V的典型移动电话电池电压和3个用于转换SIM卡和主微控制器之间的数据、RSTn和CLKn信号的电平转换器。

NVT4555包含一个电压选择引脚(CTRL)，可以为SIM卡和一个活跃的高使能引脚(EN)选择1.8 V或2.95 V电源，以激活正常运行。NVT4555符合所有ETSI、IMT-2000和ISO-7816 SIM/智能卡接口要求。

NVT4555 Block Diagram Block Diagram



View additional information for [SIM卡接口电平转换器和电源电压LDO](#).

Note: The information on this document is subject to change without notice.

www.nxp.com

NXP and the NXP logo are trademarks of NXP B.V. All other product or service names are the property of their respective owners. The related technology may be protected by any or all of patents, copyrights, designs and trade secrets. All rights reserved. © 2024 NXP B.V.