



# 2位双电源转换收发器(开漏, 自动方向感应)

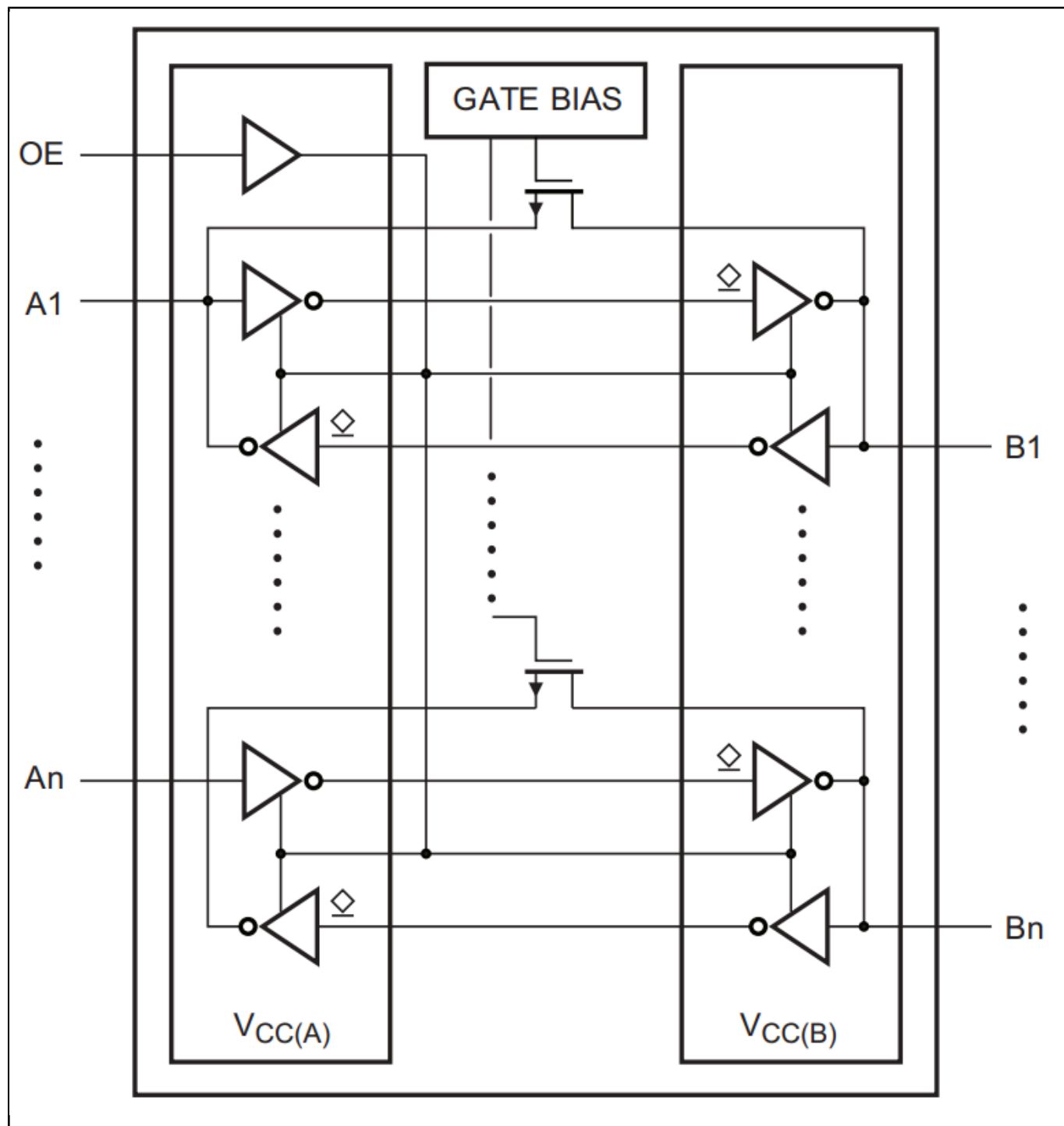
## NTS0302JK

Last Updated: Mar 8, 2024

NTS0302是2位双电源转换收发器系列, 具有自动方向感应功能, 可实现双向电压电平转换。它包含两个1位输入输出端口(A和B)、一个输出使能输入(OE)和两个电源引脚(VCC(A)和VCC(B))。VCC(A)可以接受0.95 V至3.6 V之间的电压供电。VCC(B)可以接受1.65 V至5.5 V之间的电压供电。

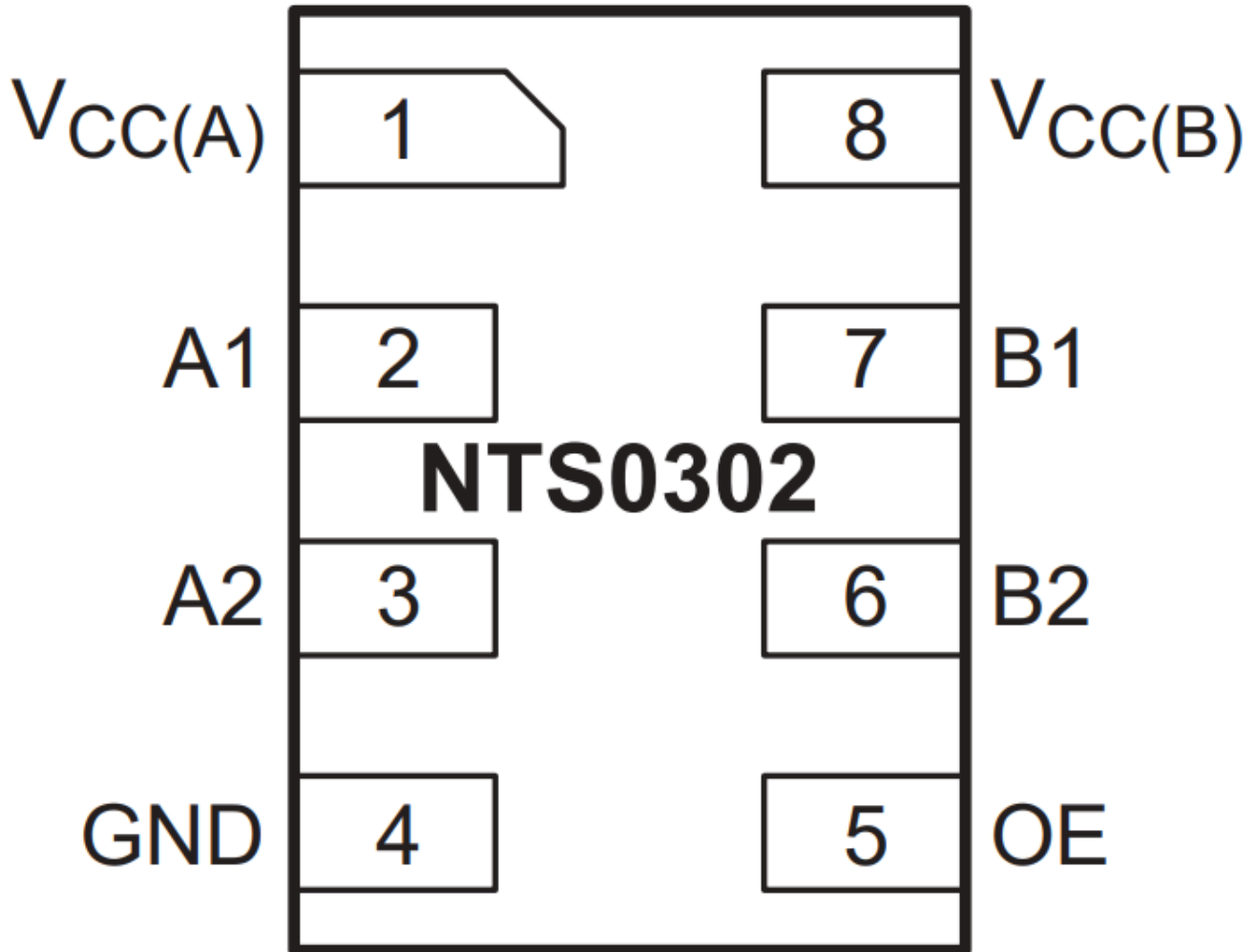
这种灵活性使得设备适合于在任意电压节点(0.95 V、1.2 V、1.8 V、2.5 V、3.3 V和5.0 V)之间转换。引脚A和OE参照VCC(A), 引脚B参照VCC(B)。引脚OE处的低电平使输出呈现高阻抗关断状态。

NTS0302框图 Block Diagram



NTS0302封装 Block Diagram

# Top View



*aaa-031208*

View additional information for [2位双电源转换收发器\(开漏, 自动方向感应\)](#).

Note: The information on this document is subject to change without notice.

[www.nxp.com](http://www.nxp.com)

NXP and the NXP logo are trademarks of NXP B.V. All other product or service names are the property of their respective owners. The related technology may be protected by any or all of patents, copyrights, designs and trade secrets. All rights reserved. © 2024 NXP B.V.