



带温度传感器和数模IO的NTAG SmartSensor

NHS3152

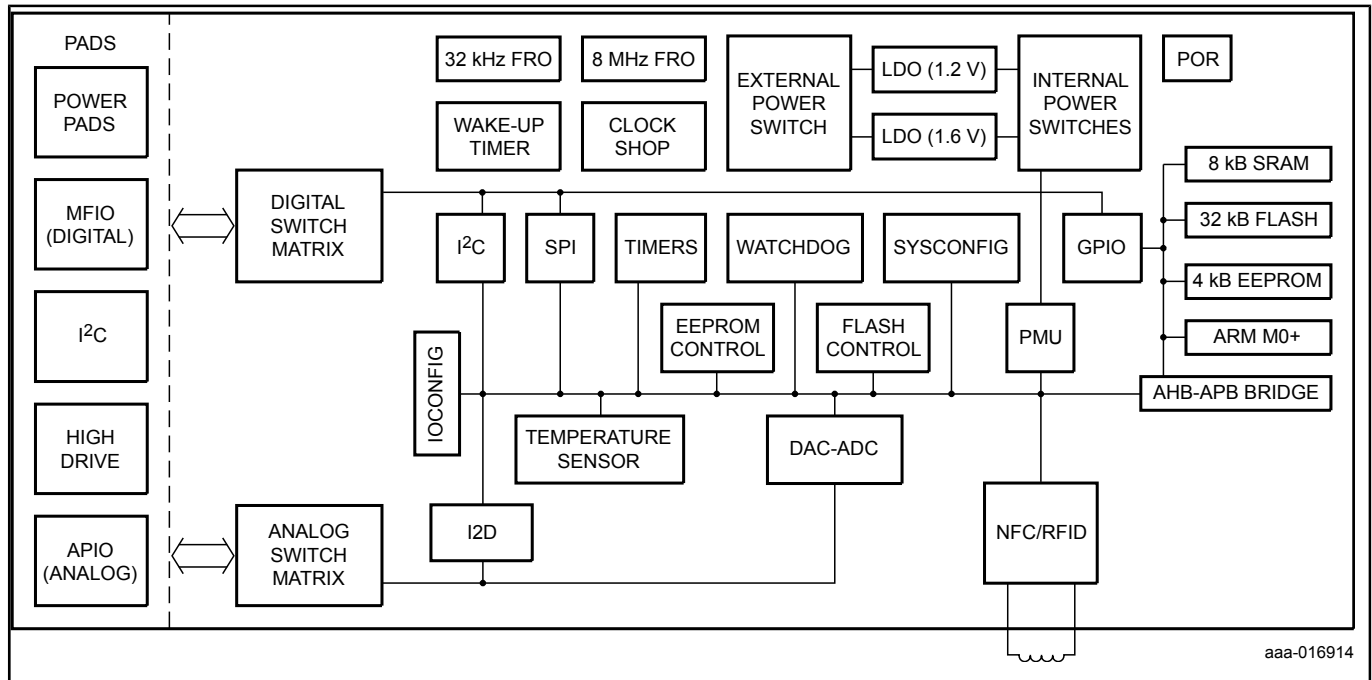
Last Updated: Aug 17, 2023

恩智浦NHS3152是一款专为记录和感应而优化的IC。借助其嵌入式NFC接口、内部温度传感器、ADC、DAC、电流传感器和直接电池连接，它可支持带有最少外部组件的有效系统解决方案。

嵌入式ARM Cortex-M0+为该IC用户提供了灵活性，使他们能够实施自己的专用解决方案。NHS3152包含多种功能，如高达8 MHz的可选的CPU频率以及实现超低功耗的各种省电模式。

用户可以使用ARM Cortex-M0+处理器的行业标准解决方案对此NHS3152进行编程。

NHS3152 Block Diagram



View additional information for [带温度传感器和数模IO的NTAG SmartSensor](#).

Note: The information on this document is subject to change without notice.

www.nxp.com

NXP and the NXP logo are trademarks of NXP B.V. All other product or service names are the property of their respective owners. The related technology may be protected by any or all of patents, copyrights, designs and trade secrets. All rights reserved. © 2024 NXP B.V.