



# MPC5643L 3相PMSM开发套件

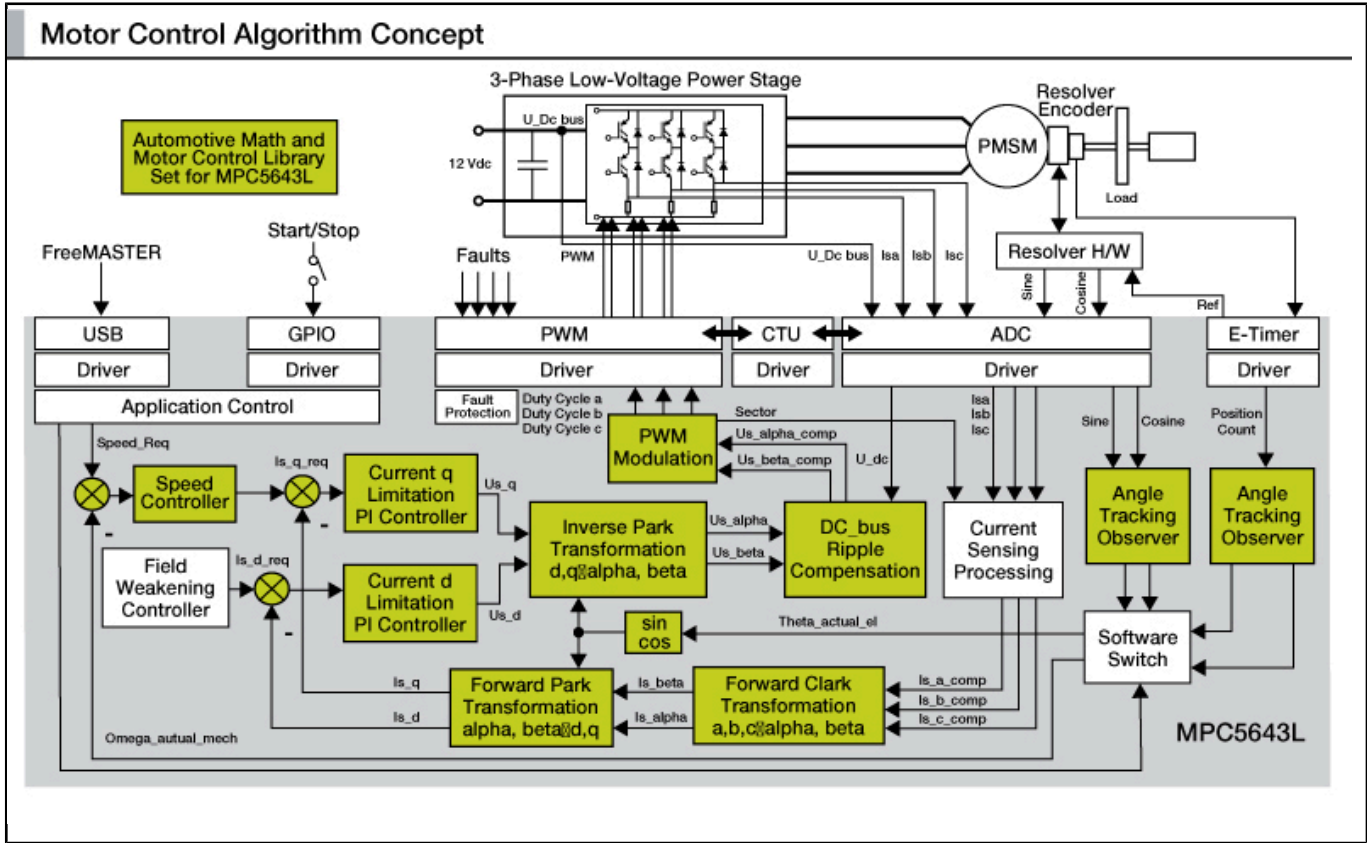
## MTRCKTDPS5643L

Last Updated: Sep 7, 2022

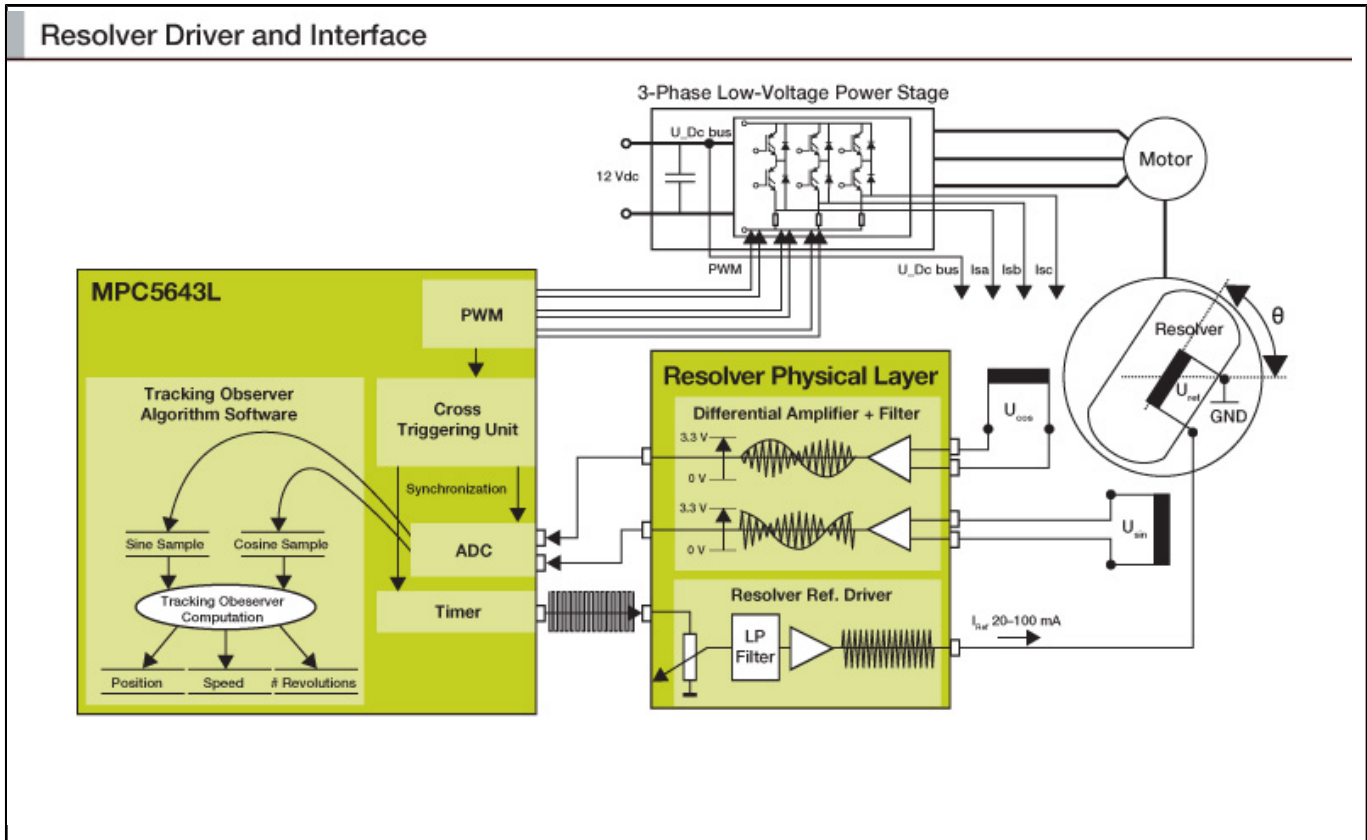
MTRCKTDPS5643L电机控制适用于需要两个PMSM电机的应用，如主动悬架或电动动力总成。该套件可实现快速原型设计和电机控制应用评估，而无需等待最终硬件设计。该套件包括一个基于32位恩智浦 MPC5643L控制器板和3相低压功率模块电路板。

该汽车电机控制开发套件还包括一个应用软件，它能提供一个PMSM电机控制的完整的参考实施，并利用汽车计算和电机控制库套件。

# 电机控制算法概念 Block Diagram



# MTRCKTDPS5643L: 采用恩智浦MPC5643L MCU的双3相PMSM开发套件 Block Diagram



View additional information for [MPC5643L 3相PMSM开发套件](#).

**Note:** The information on this document is subject to change without notice.

---

**[www.nxp.com](http://www.nxp.com)**

NXP and the NXP logo are trademarks of NXP B.V. All other product or service names are the property of their respective owners. The related technology may be protected by any or all of patents, copyrights, designs and trade secrets. All rights reserved. © 2024 NXP B.V.