



MPC860 PowerQUICC® 处理器

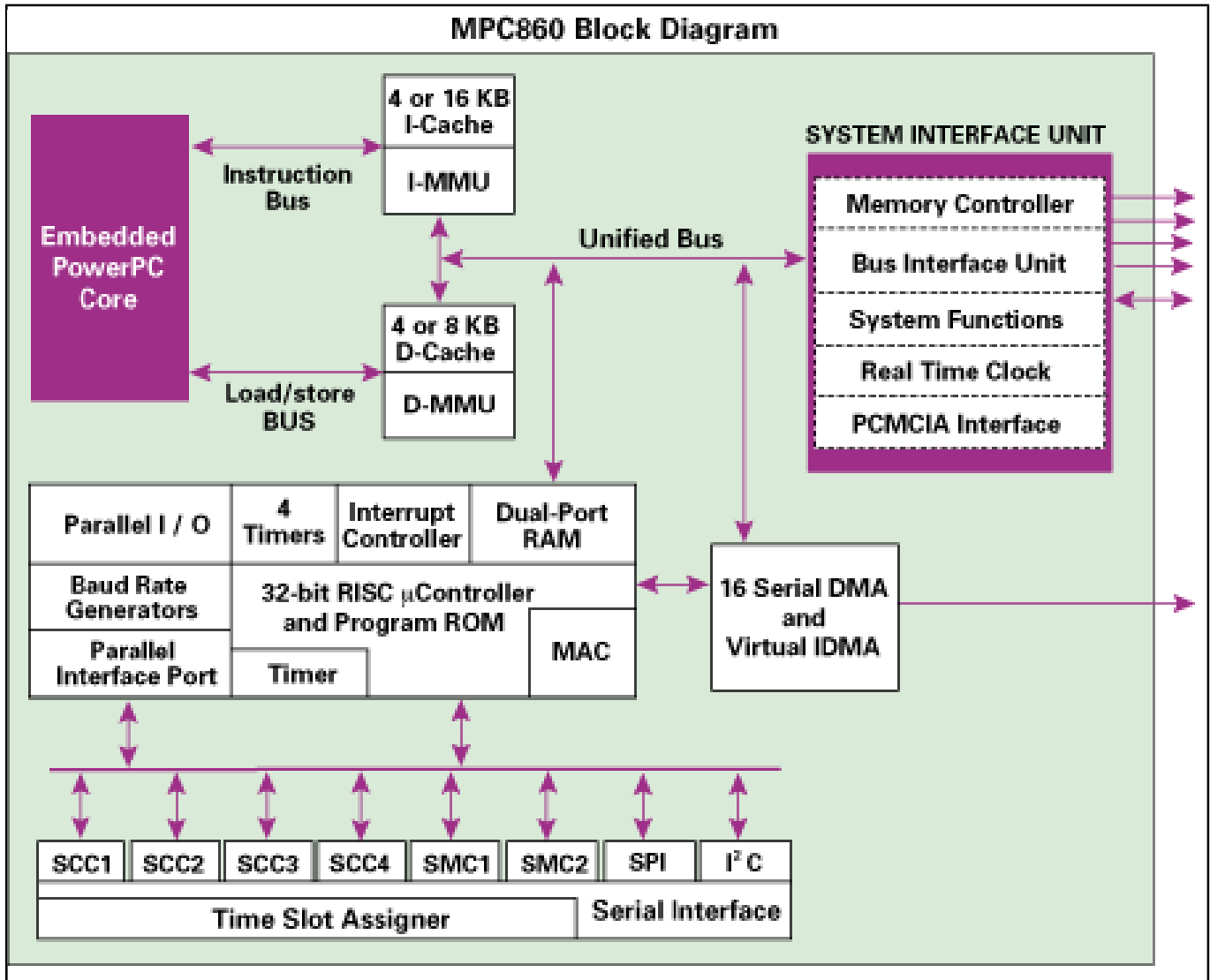
MPC860

Last Updated: Oct 3, 2024

MPC860 PowerQUICC® 提供了一个综合的处理器和外设解决方案，适用于各种网络和通信控制应用。

- 在器件运行的所有方面都提供更高的性能，包括更大的灵活性、扩展能力以及更高的集成度。
- 比传统架构的功耗更低
- 通过恩智浦的设计联盟计划，拥有雄厚的第三方工具支持

MPC860_BLKDIAG Block Diagram



View additional information for [MPC860 PowerQUICC®处理器](#).

Note: The information on this document is subject to change without notice.

www.nxp.com

NXP and the NXP logo are trademarks of NXP B.V. All other product or service names are the property of their respective owners. The related technology may be protected by any or all of patents, copyrights, designs and trade secrets. All rights reserved. © 2024 NXP B.V.