



面向汽车动力总成应用的**32位MCU**

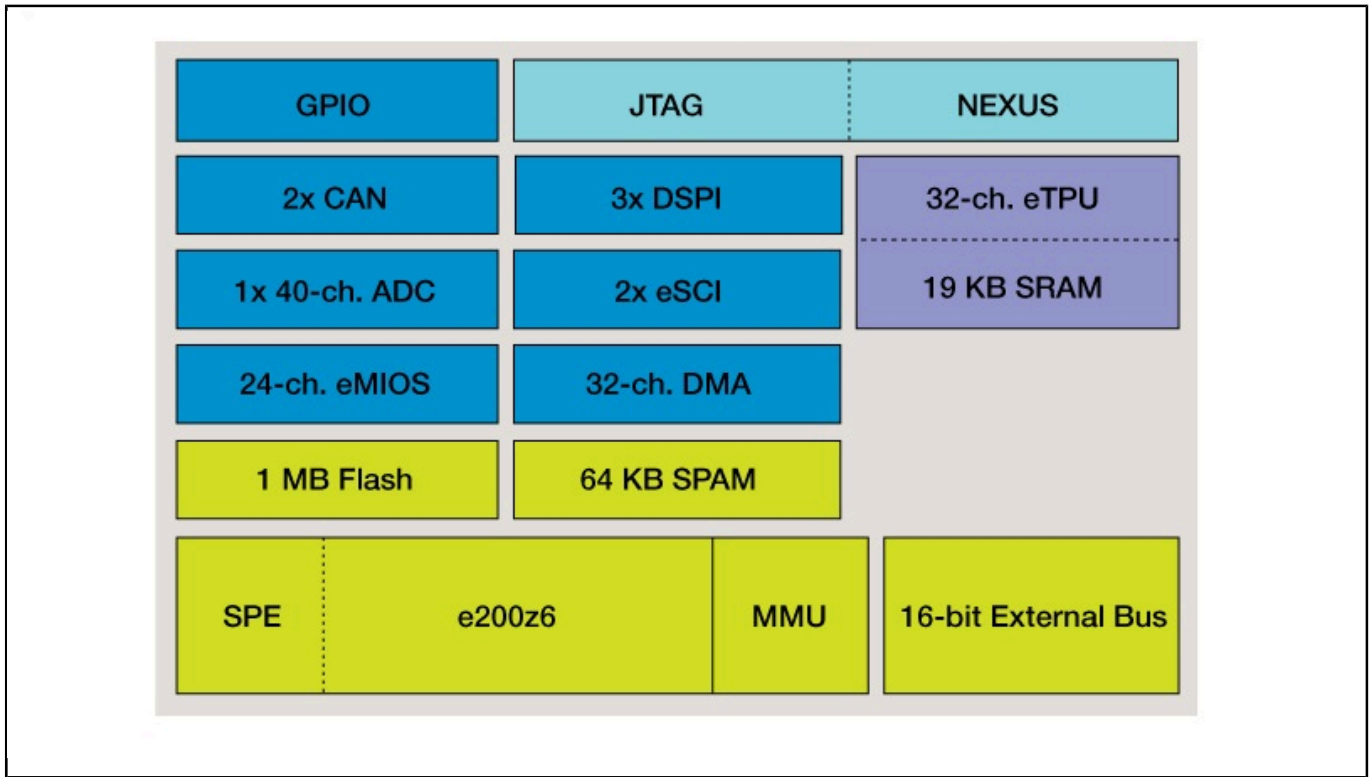
MPC5554

Last Updated: Apr 9, 2022

MPC5554 MCU可以对发动机管理系统实现复杂的、实时控制。它提供的系统性能是上一代产品MPC500的5倍，同时具有成熟Power Architecture®技术所带来的可靠性和熟识度。

- 在片上集成了更多功能，降低了成本
- 完善的开发支持加快了产品上市时间
- 通过智能子系统支持多种协议和客户需求
- 为MPC500 MCU的升级提供了一条路径，可促进原有软件架构的重复使用。

MPC5554 Block Diagram Block Diagram



View additional information for [面向汽车动力总成应用的32位MCU](#).

Note: The information on this document is subject to change without notice.

www.nxp.com

NXP and the NXP logo are trademarks of NXP B.V. All other product or service names are the property of their respective owners. The related technology may be protected by any or all of patents, copyrights, designs and trade secrets. All rights reserved. © 2024 NXP B.V.