



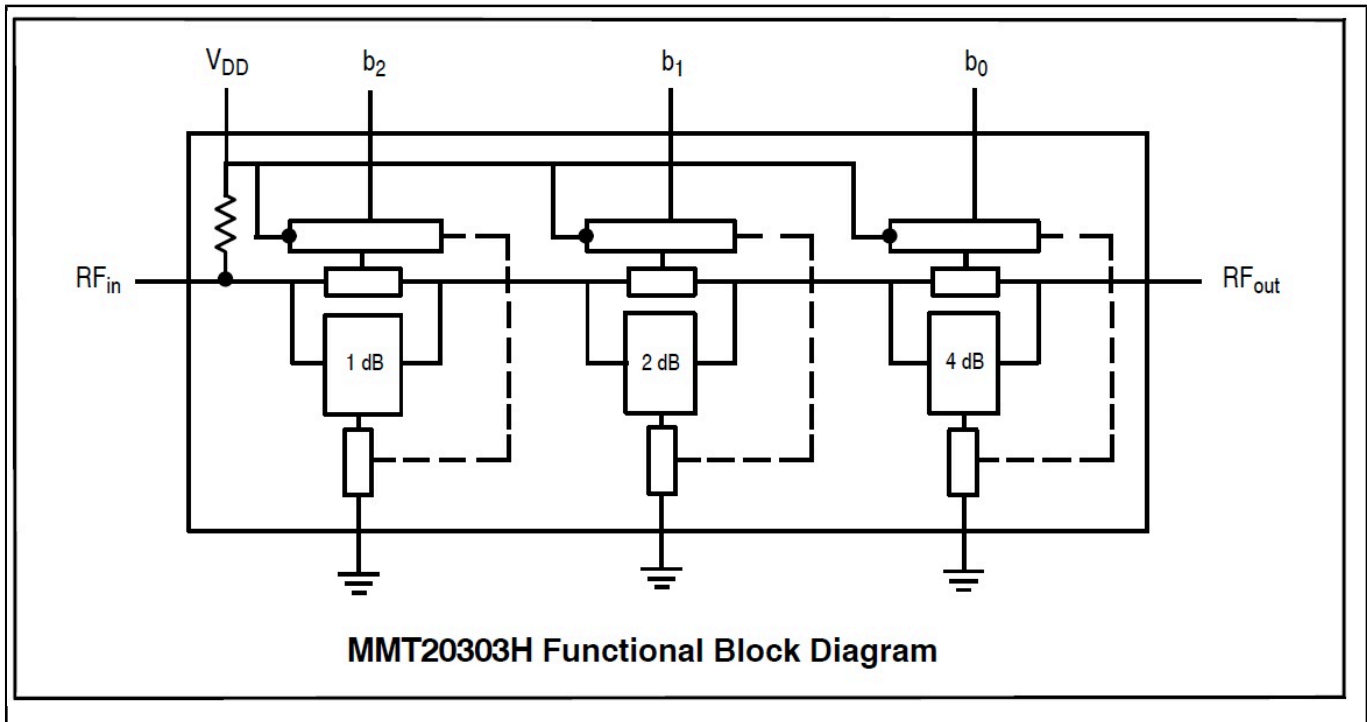
50-4000 MHz, 3位1 dB LSB数字步进衰减器

MMT20303H

Last Updated: May 2, 2024

MMT20303H是一款集成3位数字步进衰减器，具有1 dB的步长。它通过一个3位并行接口进行控制，采用3至5 V电源运行。MMT20303H适用于3G/4G小型基站发射器和移动无线电应用，工作频率为50至4000 MHz。

MMT20303H Block Diagram Block Diagram



View additional information for [50-4000 MHz, 3位1 dB LSB数字步进衰减器](#).

Note: The information on this document is subject to change without notice.

www.nxp.com

NXP and the NXP logo are trademarks of NXP B.V. All other product or service names are the property of their respective owners. The related technology may be protected by any or all of patents, copyrights, designs and trade secrets. All rights reserved. © 2024 NXP B.V.