



带**CAN**和**LIN**的电池传感器

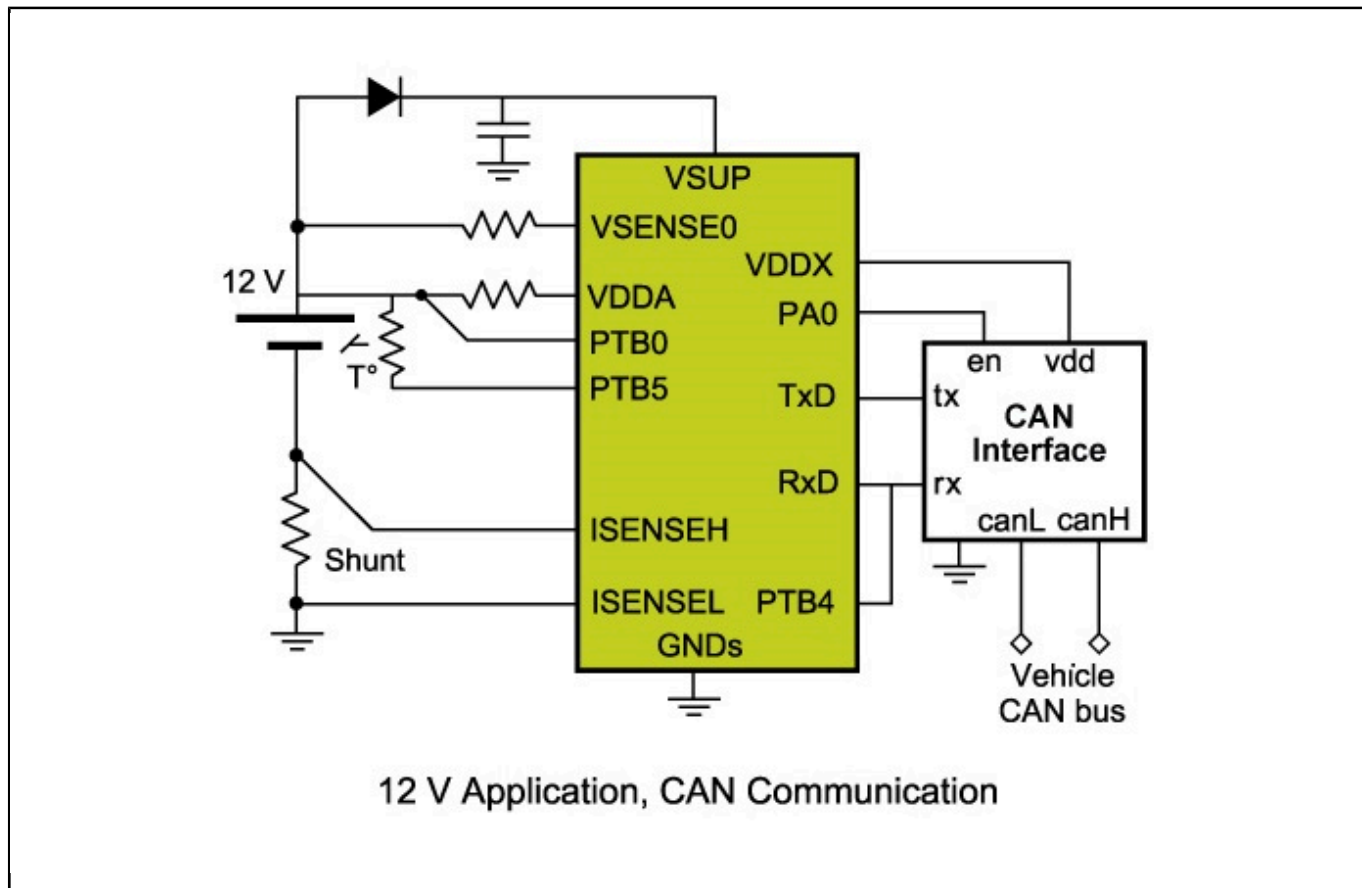
MM9Z1_638

Last Updated: Jul 20, 2023

恩智浦®MM9Z1_638是一个全面集成的电池监测器件，特性包括：

- 可通过外部分流电阻支持精确电流测量
- 使用内部校准电阻分频器或外部分频器测量**4**个电压
- 一个内部温度传感器，支持近距离测量电池温度，外加**4**个外部温度传感器输入
- **LIN 2.2**协议和物理接口以及**MSCAN**协议控制器，可与汽车总线连接

MM9Z1 PSP框图 Block Diagram



View additional information for [带CAN和LIN的电池传感器](#).

Note: The information on this document is subject to change without notice.

www.nxp.com

NXP and the NXP logo are trademarks of NXP B.V. All other product or service names are the property of their respective owners. The related technology may be protected by any or all of patents, copyrights, designs and trade secrets. All rights reserved. © 2024 NXP B.V.