



# ColdFire® V4e Microcontroller with Ethernet, CAN and Encryption

## MCF548X

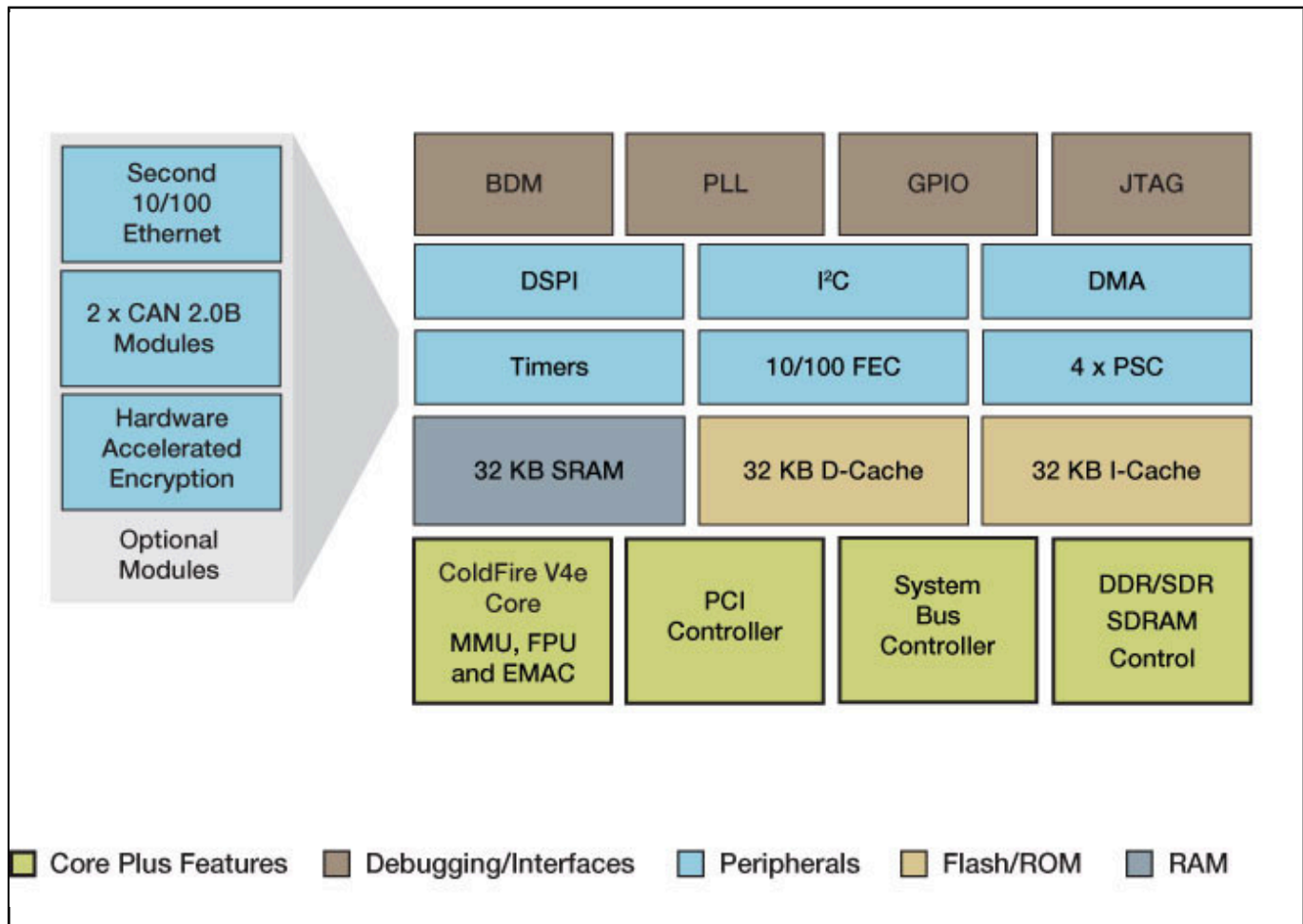
### **Not Recommended for New Designs**

建议不要在新设计中使用本页介绍的产品。

Last Updated: Apr 9, 2022

The MCF548X ColdFire® microprocessors are based on the ColdFire V4e core and feature multiple connectivity peripherals including Ethernet, CAN, PCI and other serial interfaces. Additionally, they offer an encryption accelerator for secure communications in network connected control applications. The MCF548x family is pin-compatible with the MCF547x family of microprocessors offering scalability and flexibility for designs that evolve over time.

## ColdFire MCF548X Microprocessor Block Diagram Block Diagram



View additional information for [ColdFire® V4e Microcontroller with Ethernet, CAN and Encryption](#).

Note: The information on this document is subject to change without notice.

[www.nxp.com](http://www.nxp.com)

NXP and the NXP logo are trademarks of NXP B.V. All other product or service names are the property of their respective owners. The related technology may be protected by any or all of patents, copyrights, designs and trade secrets. All rights reserved. © 2024 NXP B.V.