



# 双CAN高速收发器

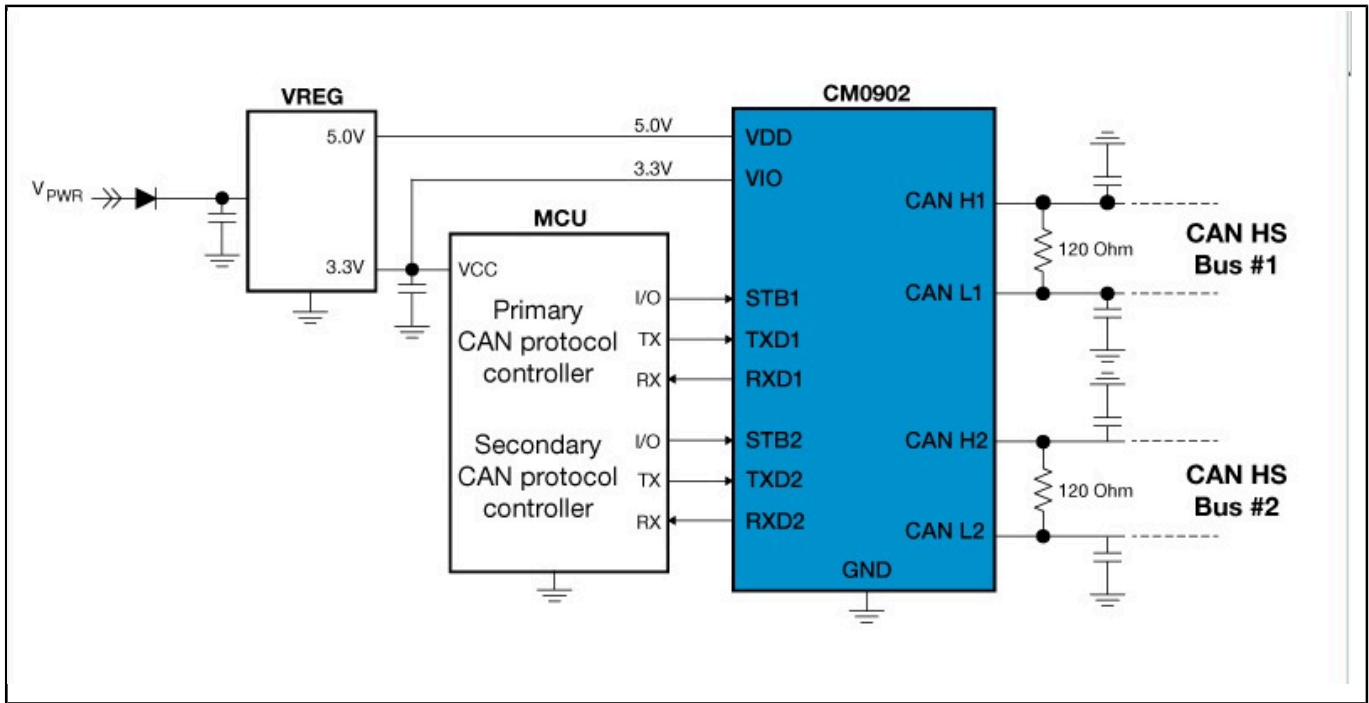
## MC34CM0902

Last Updated: Apr 8, 2022

恩智浦MC34CM0902双CAN高速物理层是高性价比产品，适用于需要多个收发器的标准CAN高速应用。收发器用于将数字协议信息转化为模拟CAN通信。

- 供物理接口，连接MCU的两个完全独立的CAN协议控制器和CAN总线的物理双线
- 采用具有行业标准引脚输出的14引脚SOICN封装，并提供卓越的EMC和ESD性能，无需外部滤波器组件
- 具备CAN总线唤醒机制，适用于工业应用
- 针对不同行业提供专用产品选项

## Simplified Application Drawing Block Diagram



View additional information for [双CAN高速收发器](#).

**Note:** The information on this document is subject to change without notice.

[www.nxp.com](http://www.nxp.com)

NXP and the NXP logo are trademarks of NXP B.V. All other product or service names are the property of their respective owners. The related technology may be protected by any or all of patents, copyrights, designs and trade secrets. All rights reserved. © 2024 NXP B.V.