



MC34931/S H桥有刷直流电机驱动器, 5-36V, 5A, 11kHz/20kHz

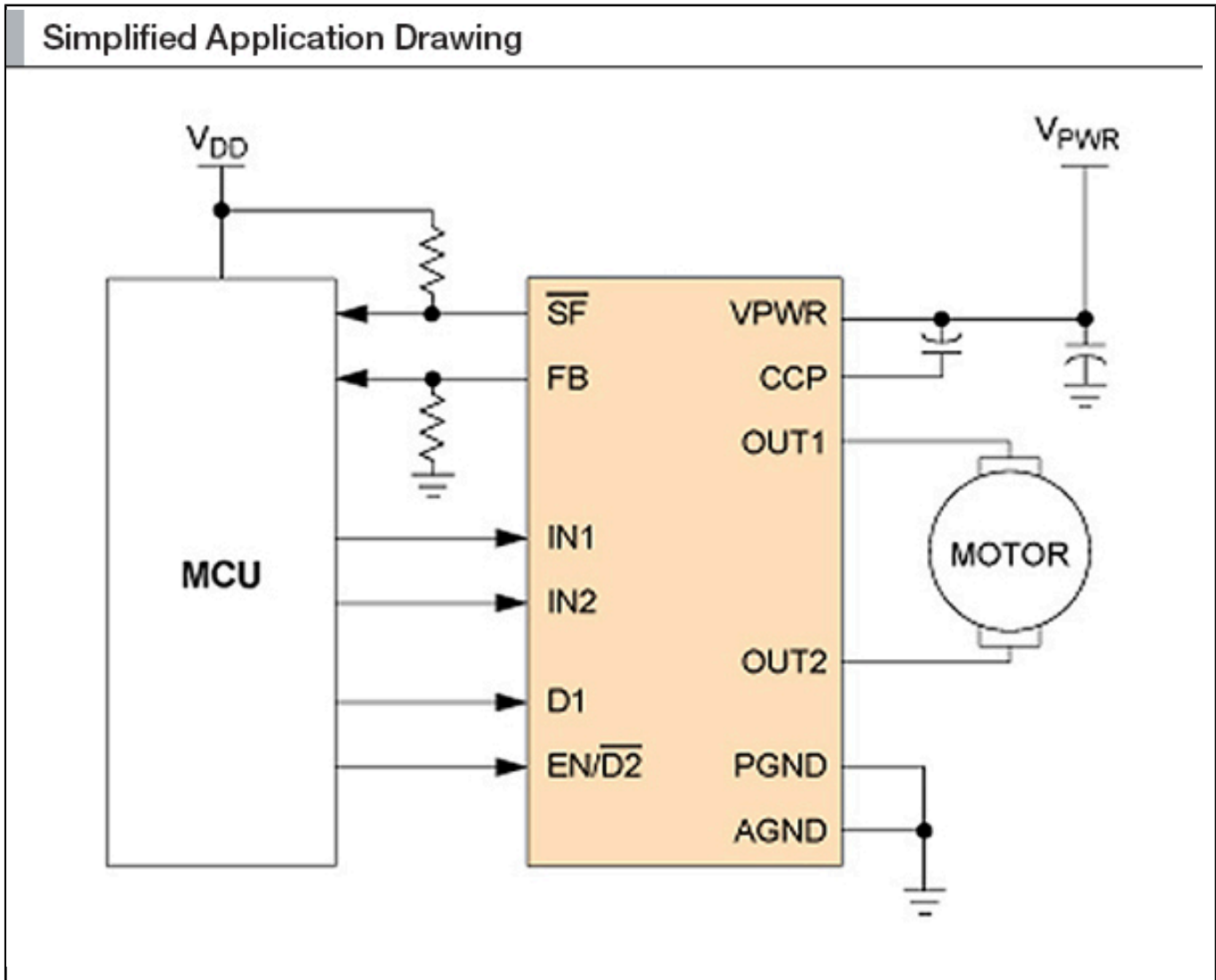
MC34931

Last Updated: Jul 20, 2023

恩智浦®MC34931是一个单片式高散热效率的36V/5A H桥直流电机驱动器。

- 具备实时负载电流监测和自动热关断功能，能够确保高可用性，适用于要求严苛的高电流、高温工业控制应用
- 主要用于DC有刷和伺服电机驱动器应用，电流和电压在产品规格所规定的限制范围内
- 采用SMARTMOS®技术
- 面向中等电压H桥产品的Processor Expert®组件能够帮助您快速完成嵌入式应用的开发。

29400_MC34931_BD Block Diagram



View additional information for [MC34931/S H桥有刷直流电机驱动器, 5-36V, 5A, 11kHz/20kHz](#).

Note: The information on this document is subject to change without notice.

www.nxp.com

NXP and the NXP logo are trademarks of NXP B.V. All other product or service names are the property of their respective owners. The related technology may be protected by any or all of patents, copyrights, designs and trade secrets. All rights reserved. © 2024 NXP B.V.