



# 面向工业控制应用的高速**CAN**收发器

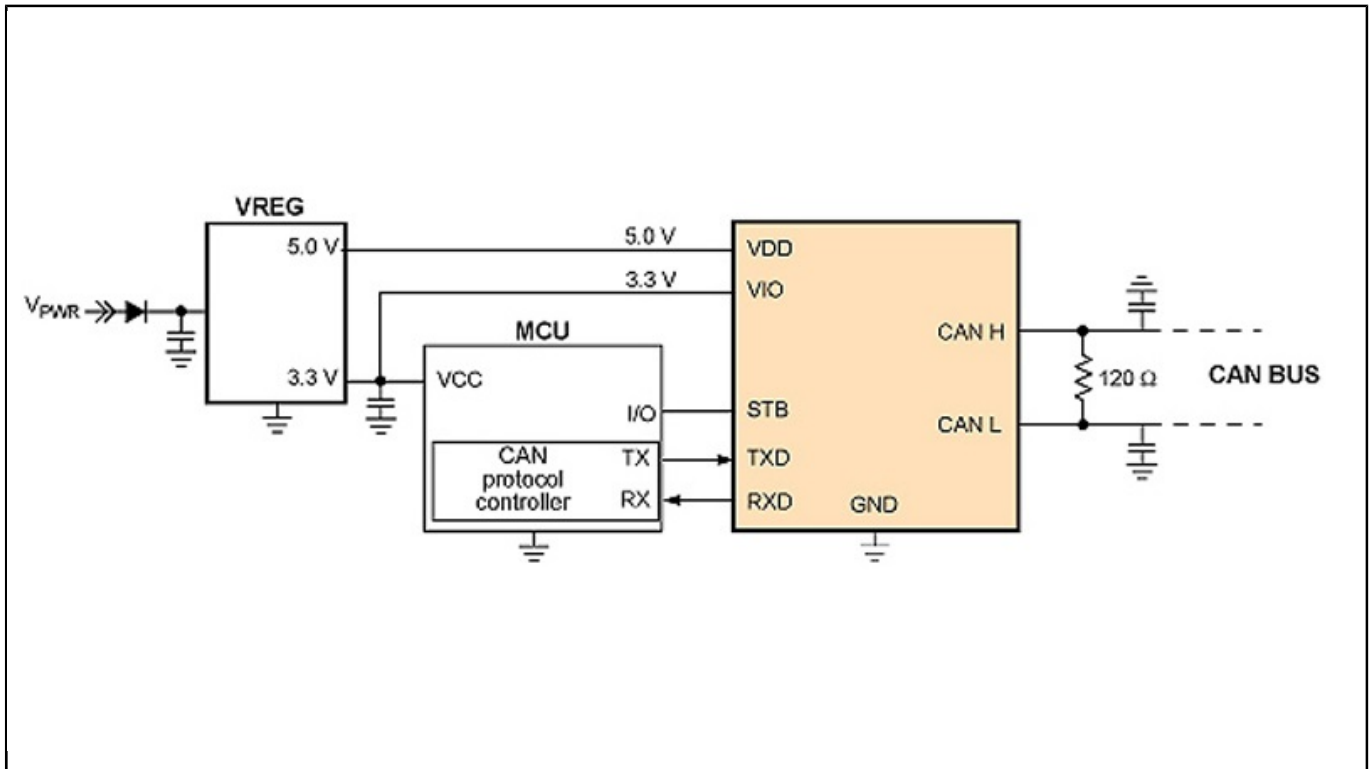
## **MC34901**

Last Updated: Apr 12, 2022

恩智浦MC34901单通道CAN高速物理层是一个高性价比解决方案，专门针对标准CAN高速应用，用于将数字协议信息转换成模拟CAN通信。

- 针对不同行业提供专用产品选项
- MC34901支持面向工业应用的超长CAN节点互连
- 该高速CAN收发器可提供物理接口，连接MCU的CAN协议控制器和CAN总线的物理双线
- 采用8引脚SOICN封装，并提供卓越的EMC和ESD性能，无需外部滤波器组件
- 提供两款器件版本，其中一款带CAN总线唤醒功能，另一款不带

## MC33901 34901 Internal Block Diagram Block Diagram



View additional information for [面向工业控制应用的高速CAN收发器](#).

Note: The information on this document is subject to change without notice.

[www.nxp.com](http://www.nxp.com)

NXP and the NXP logo are trademarks of NXP B.V. All other product or service names are the property of their respective owners. The related technology may be protected by any or all of patents, copyrights, designs and trade secrets. All rights reserved. © 2026 NXP B.V.