



带**SPI**的八路串联开关

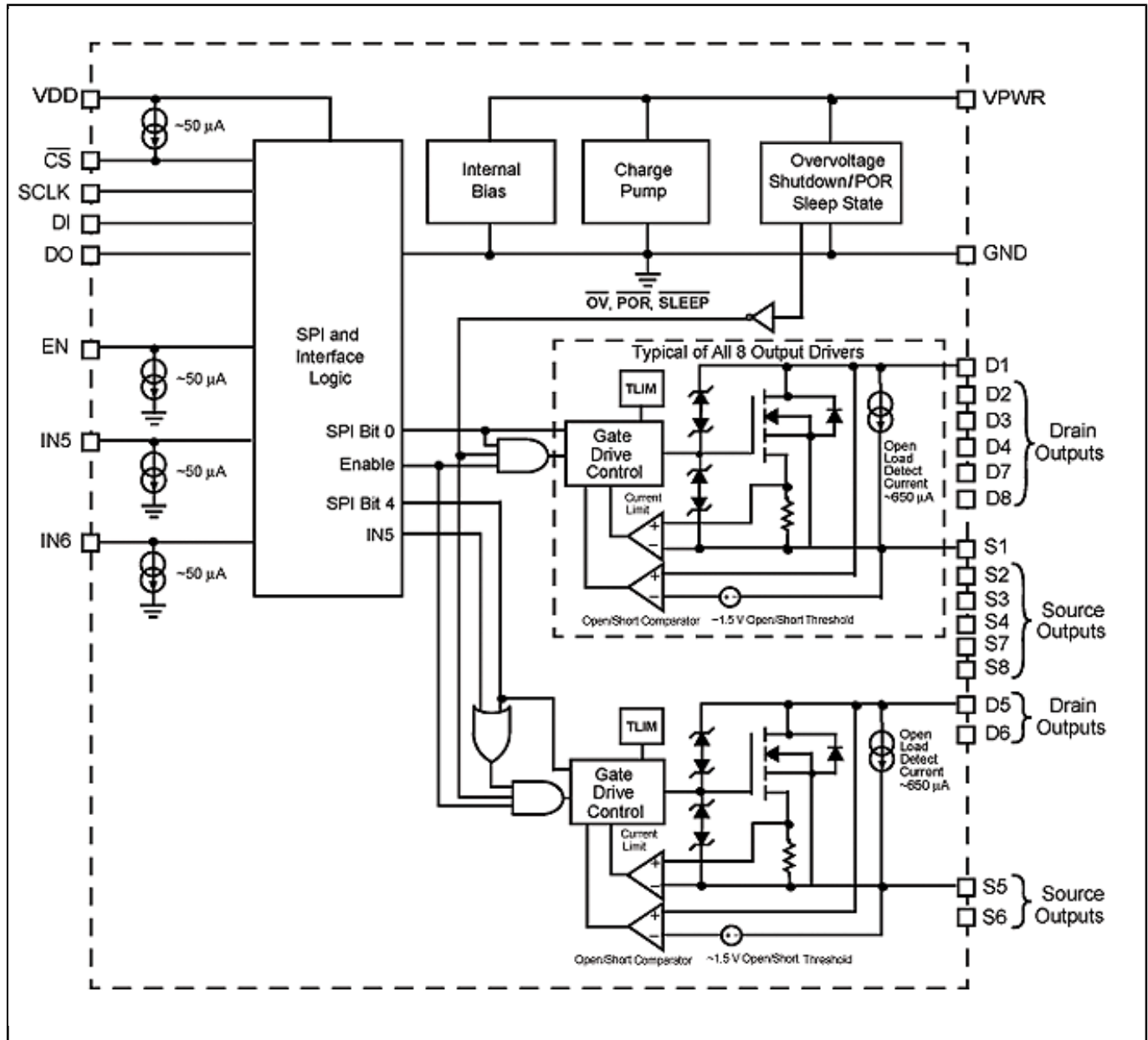
MC33880

Last Updated: Jul 20, 2023

恩智浦**MC33880**器件是一个带有**8**个输出的、硬件可配置的高边/低边开关，具有**8**位串行输入控制，采用串行外设接口(SPI)。

- 其中有两个输出可以直接通过一个适用于脉冲宽度调制(PWM)应用的MCU进行控制
- 通过直接连接MCU来控制各种电感或白炽灯负载
- 新型监测和保护功能包括超低待机电流，“级联”故障报告，针对低边配置的内部**40 V**钳制电压，针对高边配置的内部**-20 V**钳制电压，针对特定输出的诊断，以及独立的输出关断功能。

MC33880_BD Block Diagram



View additional information for [带SPI的八路串联开关](#).

Note: The information on this document is subject to change without notice.

www.nxp.com

NXP and the NXP logo are trademarks of NXP B.V. All other product or service names are the property of their respective owners. The related technology may be protected by any or all of patents, copyrights, designs and trade secrets. All rights reserved. © 2024 NXP B.V.