



可配置的**8**路串联开关

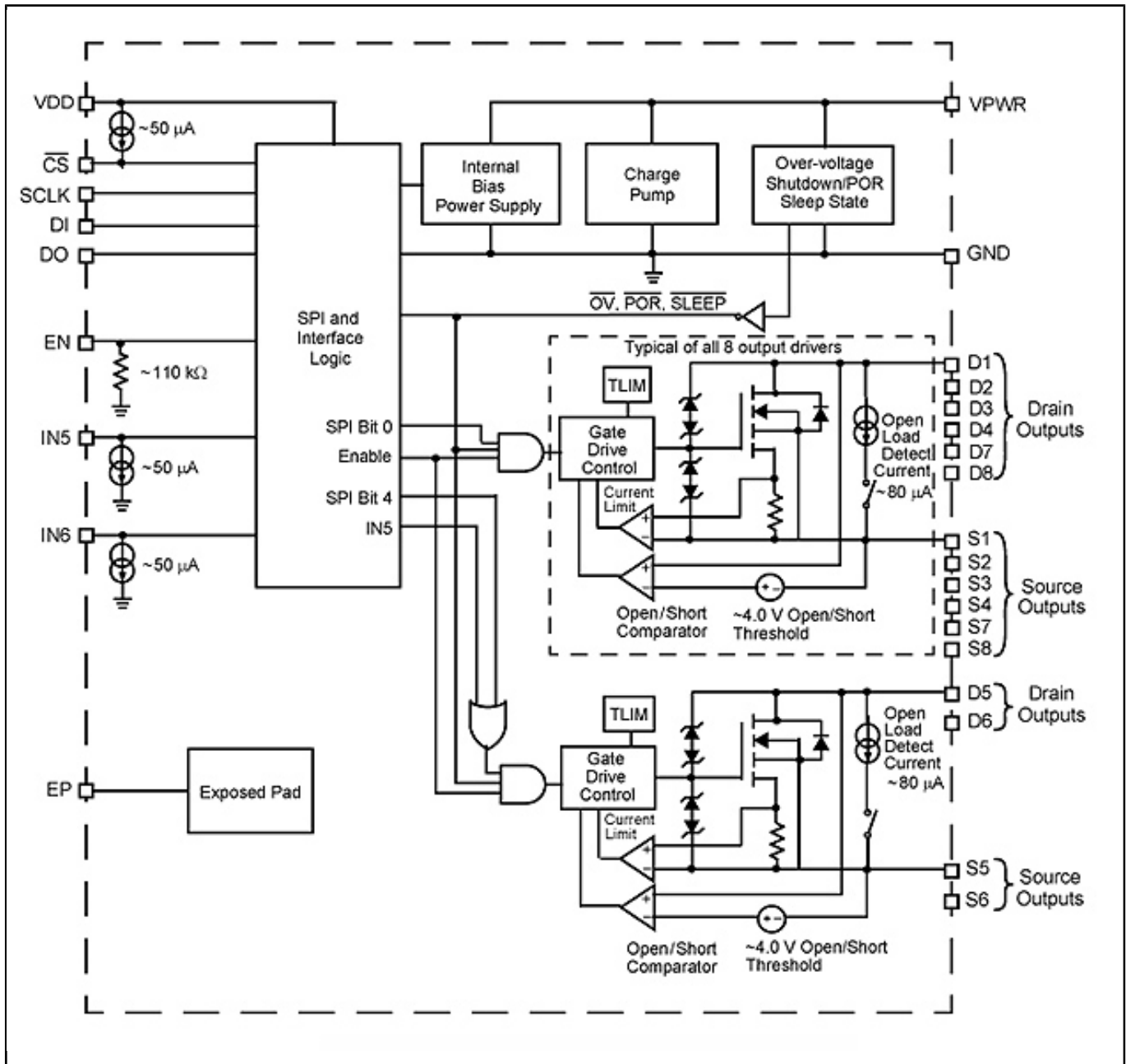
MC33879

Last Updated: Jul 20, 2023

恩智浦MC33879器件是一个带有**8**个输出的、硬件可配置的、高边/低边开关，具有**16**位串行输入控制，采用串行外设接口(SPI)。

- 其中有两个输出可以直接通过一个适用于脉冲宽度调制应用的MCU进行控制
- 采用SMARTMOS®技术，具有CMOS逻辑、双极/MOS模拟电路和DMOS功率MOSFET
- 通过直接连接MCU来控制各种电感、白炽灯或LED负载
- 我们建议在新设计使用“A”版器件

MC33879_BD Block Diagram



View additional information for [可配置的8路串联开关](#).

Note: The information on this document is subject to change without notice.

www.nxp.com

NXP and the NXP logo are trademarks of NXP B.V. All other product or service names are the property of their respective owners. The related technology may be protected by any or all of patents, copyrights, designs and trade secrets. All rights reserved. © 2024 NXP B.V.