



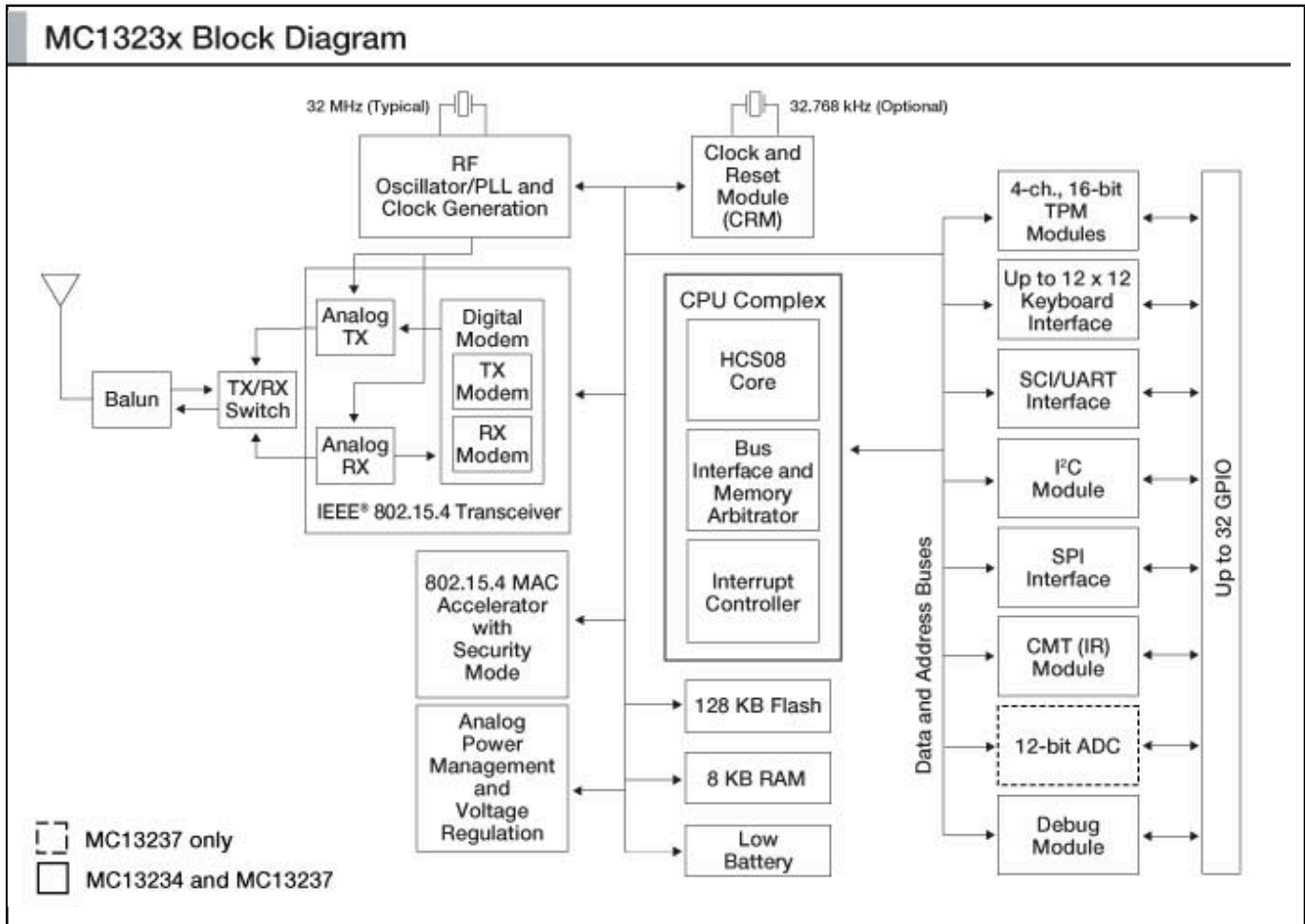
2.4 GHz 802.15.4 RF和8位HCS08 MCU，带128 KB闪存、8 KB RAM

MC1323x

Last Updated: Mar 8, 2023

恩智浦第四代2.4 GHz IEEE® 802.15.4/ZigBee®就绪解决方案旨在满足消费电子市场的需求，但是其提供的特性和功能也非常适合消费电子、医疗及工业控制市场的许多无线应用。MC1323x将IEEE 802.15.4无线设备与HCS08-QE内核整合在一个高性价比的片上系统中，为无线控制和监控应用提供低功耗、灵活、耐用的解决方案。

Freescale MC1323x Transceivers Block Diagram Block Diagram



View additional information for [2.4 GHz 802.15.4 RF](#) and [8位HCS08 MCU](#), 带128 KB闪存、8 KB RAM.

Note: The information on this document is subject to change without notice.

www.nxp.com

NXP and the NXP logo are trademarks of NXP B.V. All other product or service names are the property of their respective owners. The related technology may be protected by any or all of patents, copyrights, designs and trade secrets. All rights reserved. © 2024 NXP B.V.