



外部汽车照明多通道**eXtreme**开关

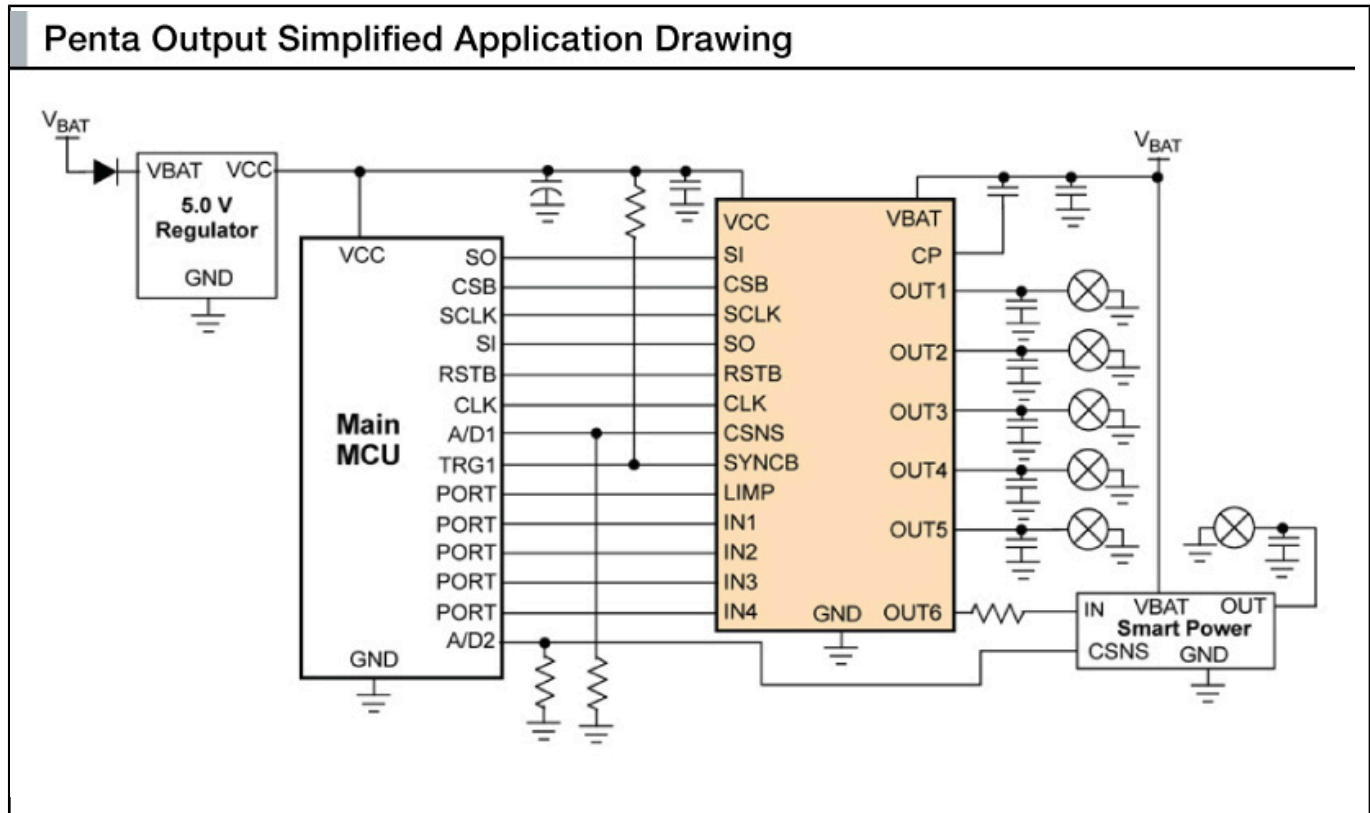
MC12XS6

Last Updated: Jul 20, 2023

恩智浦MC12XS6是第4代**eXtreme**开关，用于汽车照明驱动器，可以控制和诊断灯泡和发光二极管(LED)，具有更强的诊断精度。

- 它整合了支持5.0 MHz菊花链的SPI、扩展的数字和模拟反馈所带来的灵活性、安全性及稳定性。
- 具有较低的导通电阻和较高的集成度，从而降低了整个模块的功耗，节约了空间。
- 双输出、3输出、4输出和5输出器件的硬件和SPI均兼容
- 采用带裸焊盘的无铅功率增强型SOIC封装，符合ELV规范。

Penta Output Simplified Application Drawing Block Diagram



View additional information for [外部汽车照明多通道eXtreme开关](#).

Note: The information on this document is subject to change without notice.

www.nxp.com

NXP and the NXP logo are trademarks of NXP B.V. All other product or service names are the property of their respective owners. The related technology may be protected by any or all of patents, copyrights, designs and trade secrets. All rights reserved. © 2024 NXP B.V.