



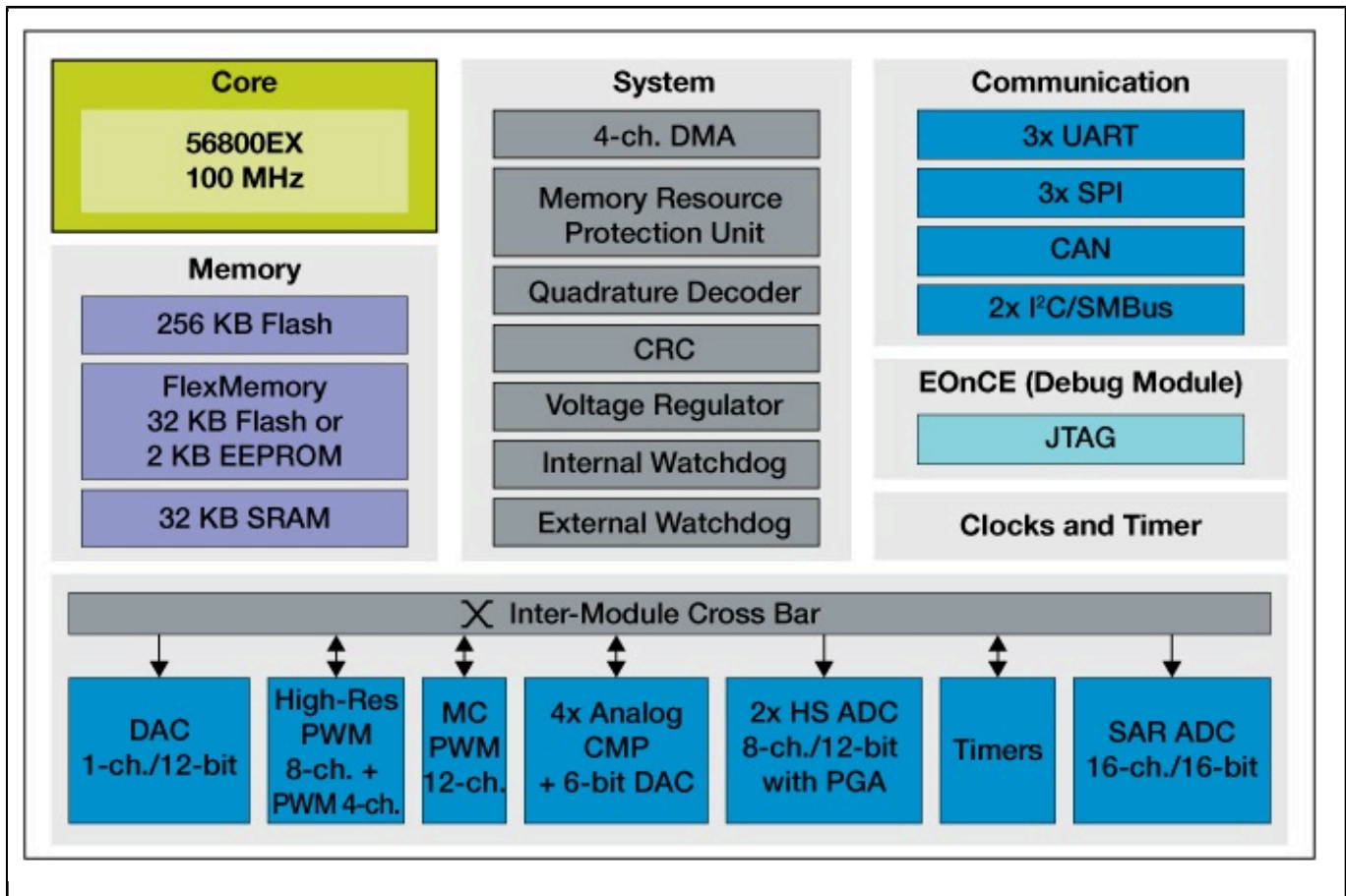
MAPS-56F84000评估套件

MAPS-56F84000

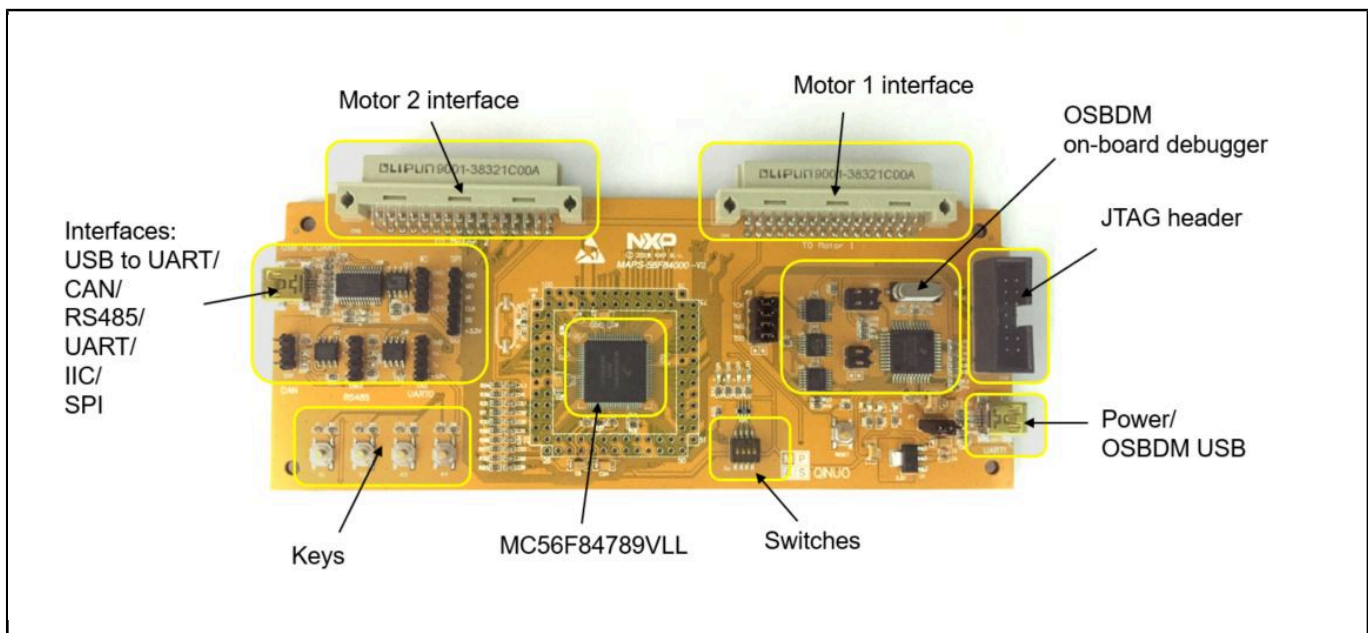
Last Updated: Aug 5, 2020

MAPS-56F84000评估套件是56F84xxx数字信号控制器(DSC)的功能齐全的多功能开发平台。该套件包括一个带MC56F84789VLL的控制器板和一个可同时驱动双PMSM电机的电机控制驱动板。使用此套件来评估恩智浦强大DSC产品的令人兴奋的性能，此性能专为电机控制应用量身定制。

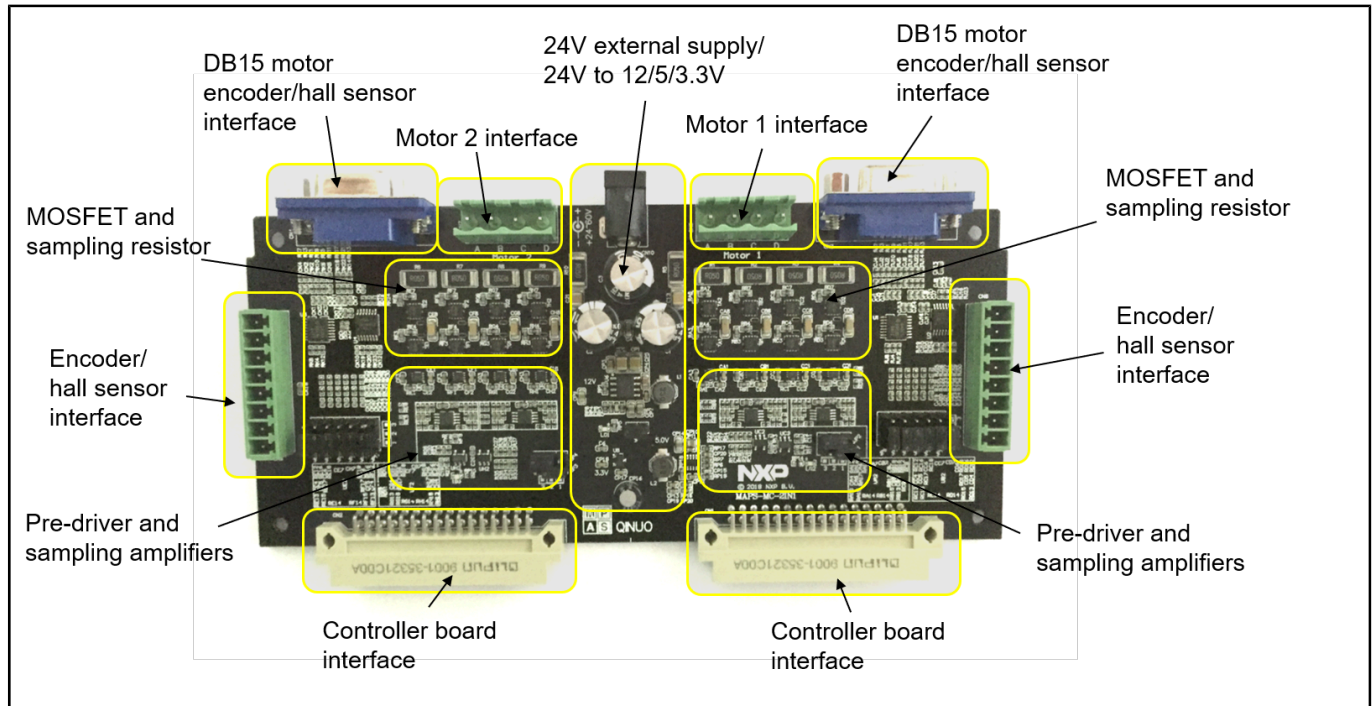
MC56F84XX Block Diagram Block Diagram



Block Diagram



Block Diagram



View additional information for [MAPS-56F84000评估套件](#).

Note: The information on this document is subject to change without notice.

www.nxp.com

NXP and the NXP logo are trademarks of NXP B.V. All other product or service names are the property of their respective owners. The related technology may be protected by any or all of patents, copyrights, designs and trade secrets. All rights reserved. © 2024 NXP B.V.