



Layerscape LS1046A参考设计板

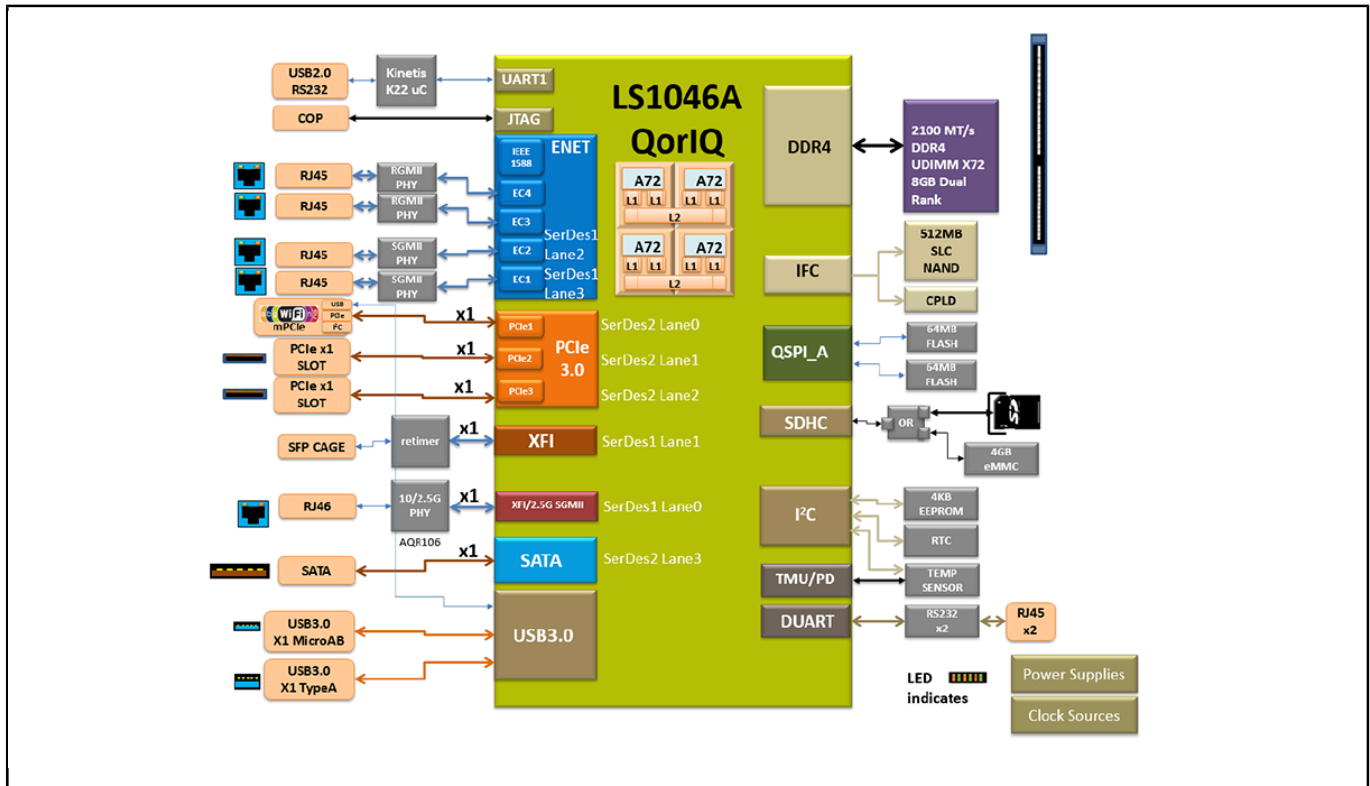
LS1046A-RDB

Last Updated: Dec 14, 2024

LS1046A参考设计板(RDB)是高性能的计算、评估和开发平台，支持Layerscape LS1046A架构处理器。LS1046ARDB电路板支持Layerscape LS1046A处理器，经过优化可支持DDR4存储器 and 一整套高速SerDes端口。

Layerscape LS1046A处理器将4个64位Arm® Cortex®-A72内核与数据包处理加速和高速外设相集成。此处理器具有超过32000 CoreMarks®的令人印象深刻的性能，可与10 Gb以太网、第三代PCIe、SATA 3.0、USB 3.0和QSPI接口配对，是一系列企业和服务提供商联网、存储、安全和工业应用的完美产品组合。

LS1046A RDB Block Diagram



View additional information for [Layerscape LS1046A参考设计板](#).

Note: The information on this document is subject to change without notice.

www.nxp.com

NXP and the NXP logo are trademarks of NXP B.V. All other product or service names are the property of their respective owners. The related technology may be protected by any or all of patents, copyrights, designs and trade secrets. All rights reserved. © 2026 NXP B.V.