



# PF51x3评估板

## KITPF5103FRDMEVM

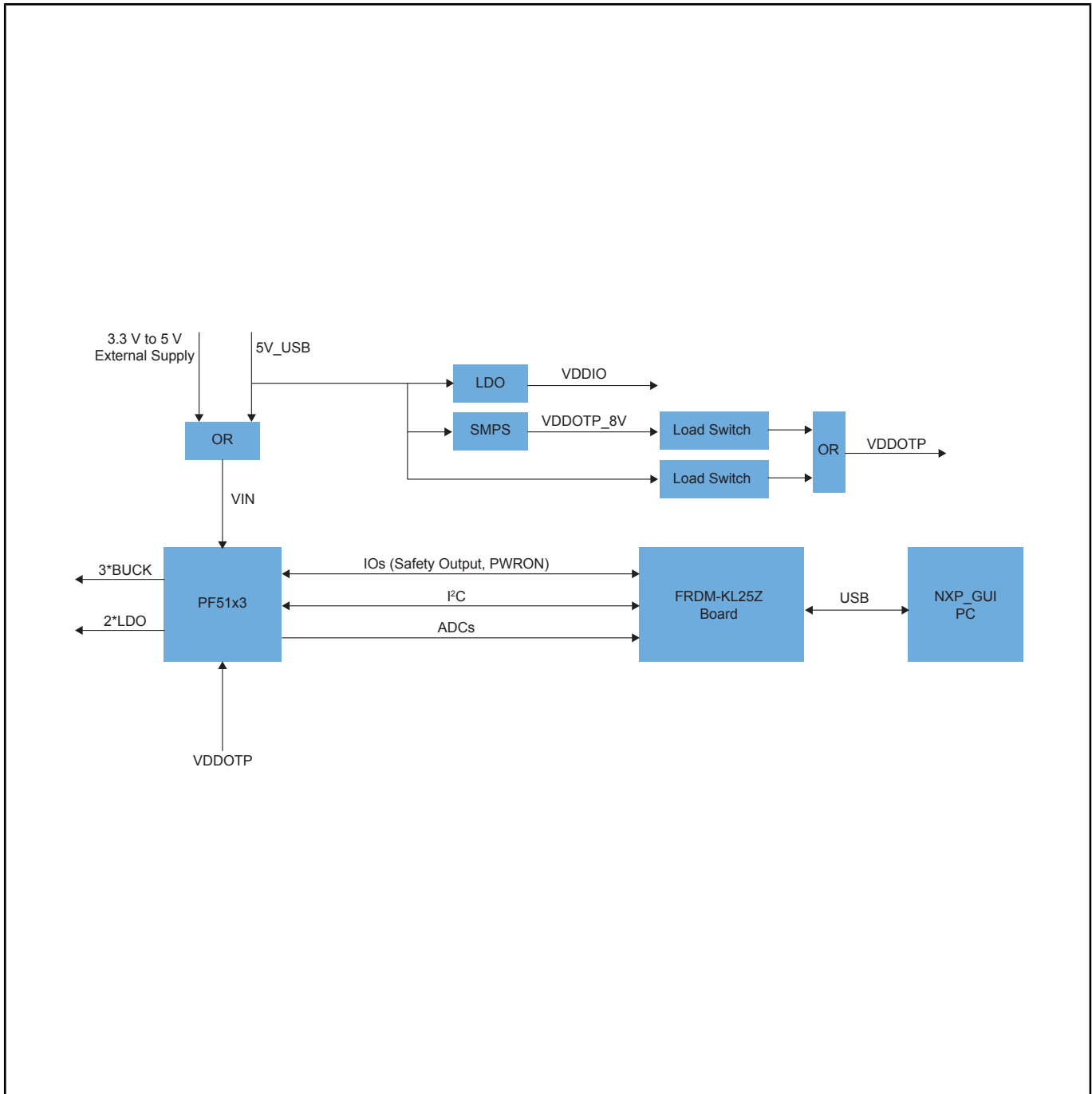
**Active**

Last Updated: Apr 30, 2026

KITPF5103FRDMEVM帮助轻松评估和开发PF51x3系列电源管理IC，专为5V以下的低压汽车应用而设计。该工具支持独立运行模式，也可通过其USB接口进行控制，所有I<sup>2</sup>C命令均可通过恩智浦的GUI软件轻松管理。

该板配备了一个超集PF51x3器件。焊接在板上的PMIC支持一次性可编程(OTP)熔断，也可在调试模式下使用，以便在最终OTP编程之前，按需测试和验证所需数量的配置设置。

# KITPF5103FRDMEVM Block Diagram



View additional information for [PF51x3评估板](#).

**Note:** The information on this document is subject to change without notice.

**[www.nxp.com](http://www.nxp.com)**

NXP and the NXP logo are trademarks of NXP B.V. All other product or service names are the property of their respective owners. The related technology may be protected by any or all of patents, copyrights, designs and trade secrets. All rights reserved. © 2026 NXP B.V.