



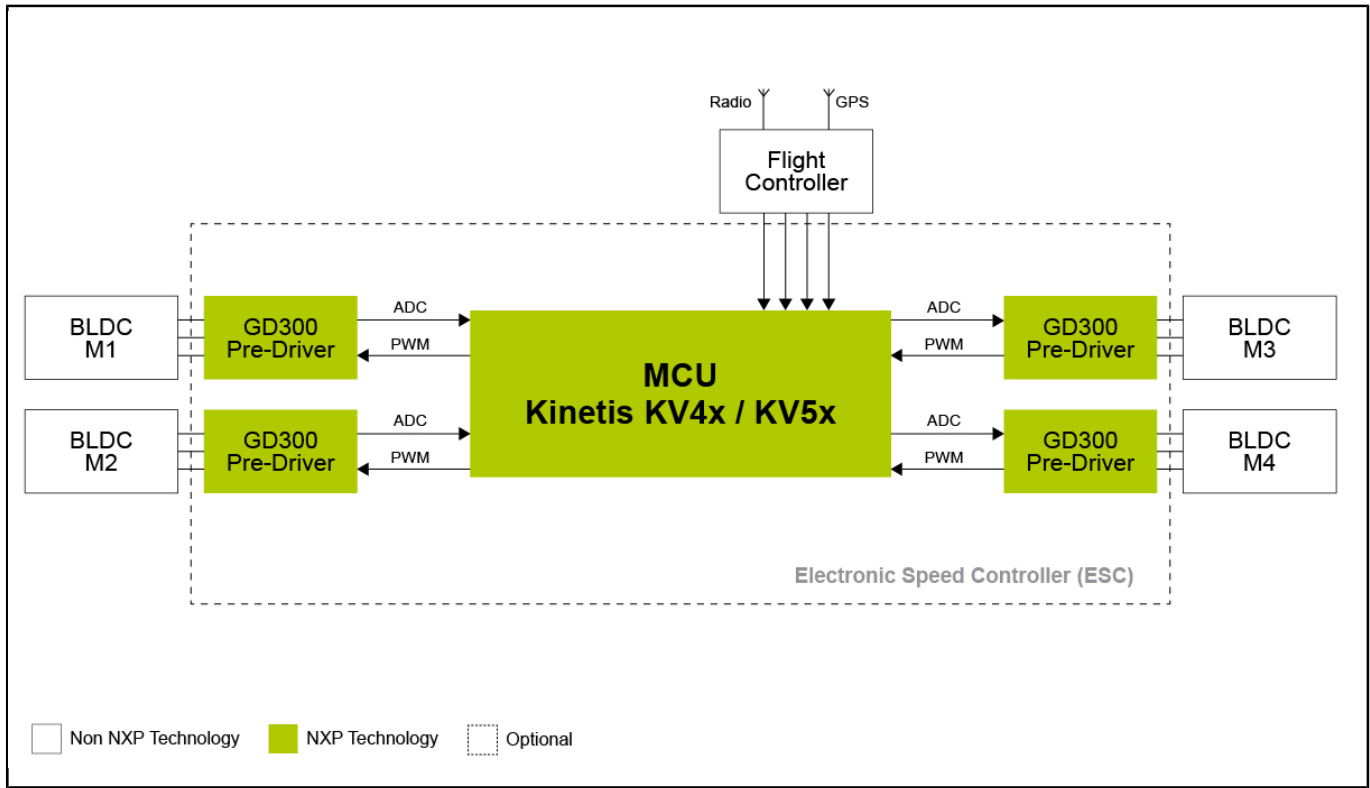
KV系列四核电机控制

KINETIS-DRONE-REFERENCE-DESIGN

Last Updated: Aug 25, 2022

四轴无人机包括一个飞行控制器和4个电子速度控制器(ESC)，每个电机一个。飞行控制器配备无线电，可接收飞行员和惯性测量单元(IMU)发出的飞行命令。该参考设计将4个独立的ESC板合为一体，由单个KV4x或KV5x MCU控制，且可驱动4个无刷直流电机。

四电机控制 Block Diagram



View additional information for [KV系列四核电机控制](#).

Note: The information on this document is subject to change without notice.

www.nxp.com

NXP and the NXP logo are trademarks of NXP B.V. All other product or service names are the property of their respective owners. The related technology may be protected by any or all of patents, copyrights, designs and trade secrets. All rights reserved. © 2024 NXP B.V.