



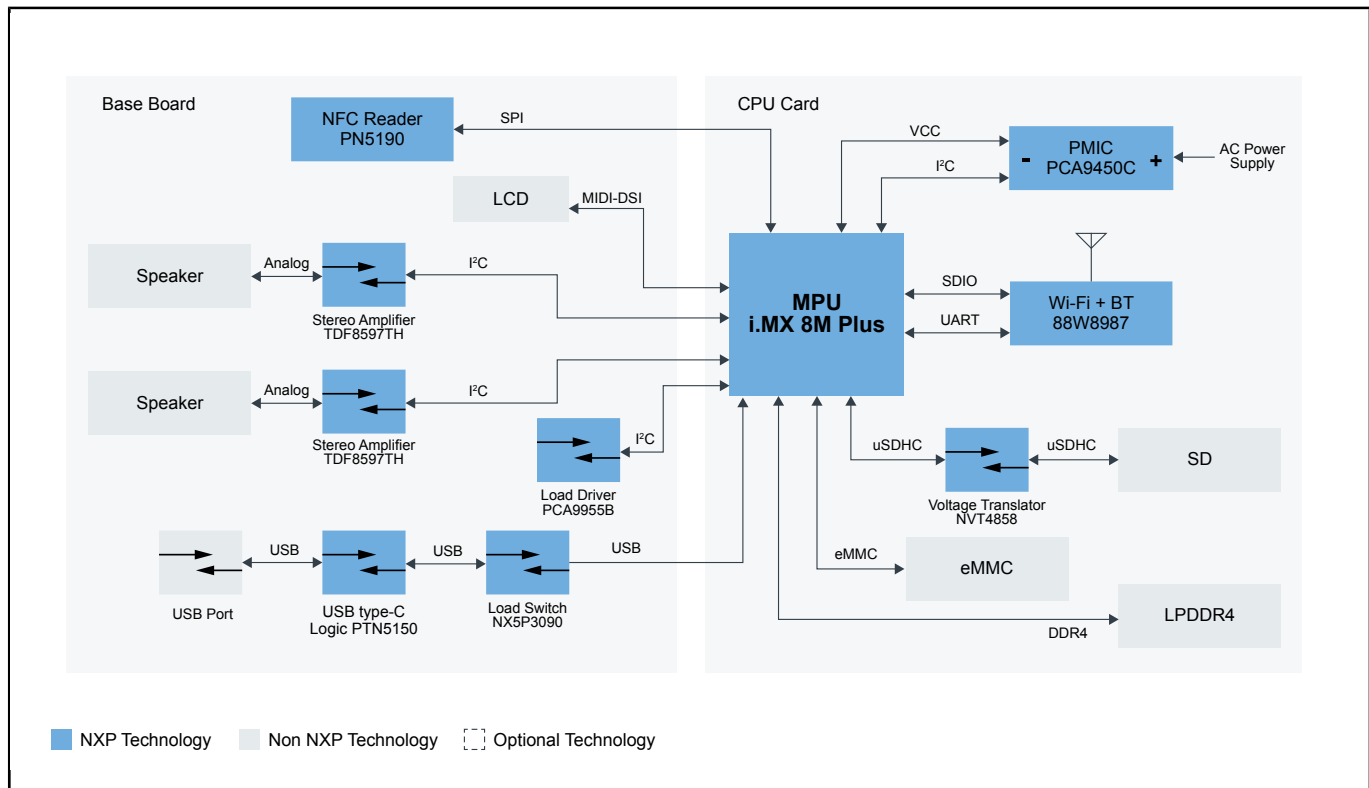
# 物联网音频

## IOT-AUDIO

Last Updated: Jun 22, 2023

恩智浦音频物联网基于i.MX 8M 处理器，提供卓越的音频、语音和视频处理以及低功耗功能，可创建可扩展、安全可靠的应用。使用内部自适应DC-DC转换器，可以获得足够的空间，从而显著提高音频质量。i.MX 8M 处理器提供卓越的音频、语音和视频处理以及低功耗功能，可创建可扩展、安全可靠的应用。

# 物联网音频 Block Diagram



View additional information for [物联网音频](#).

**Note:** The information on this document is subject to change without notice.

**www.nxp.com**

NXP and the NXP logo are trademarks of NXP B.V. All other product or service names are the property of their respective owners. The related technology may be protected by any or all of patents, copyrights, designs and trade secrets. All rights reserved. © 2024 NXP B.V.