



SPI可编程的H桥有刷直流电机驱动器

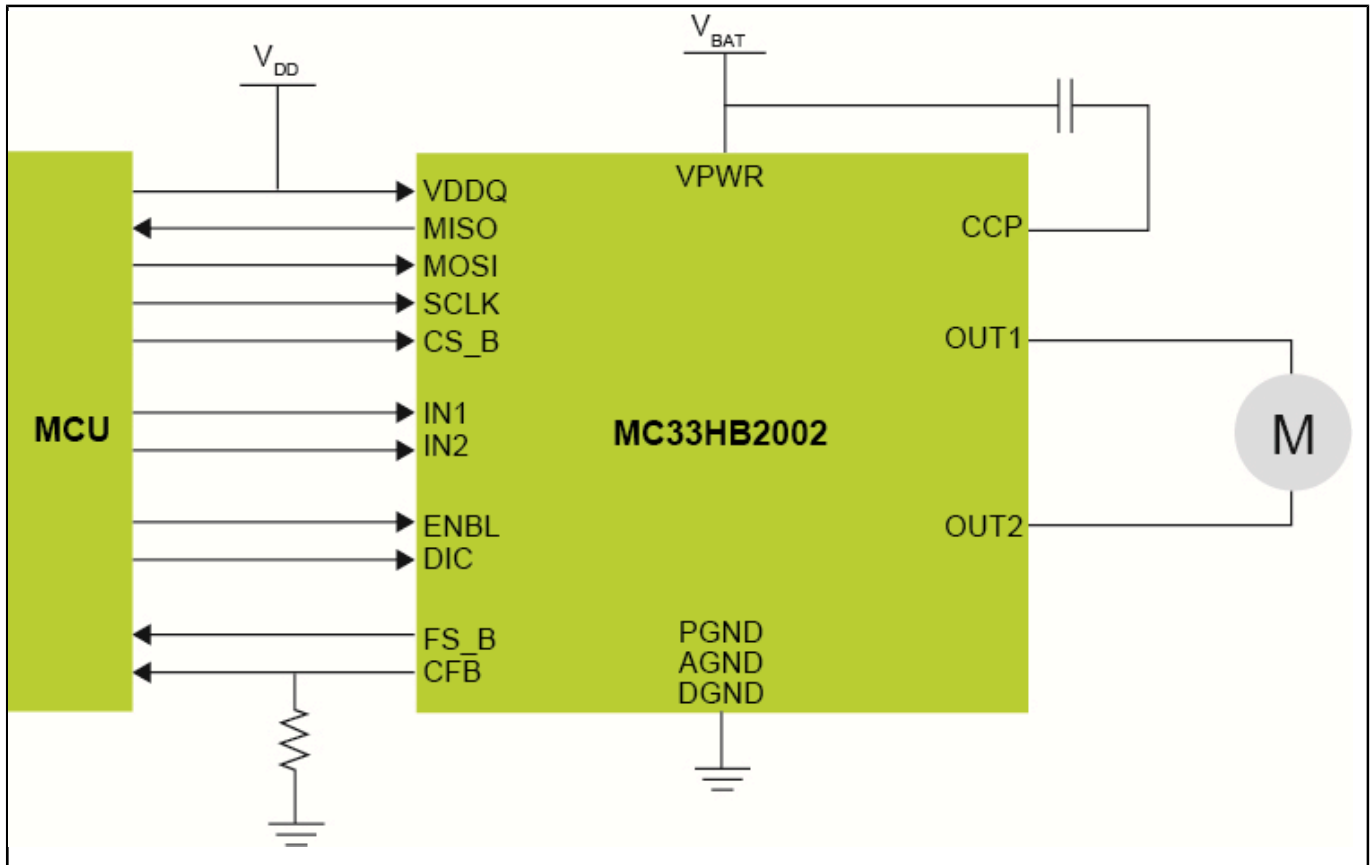
HB2002

Last Updated: Dec 18, 2024

HB2002不仅能满足汽车和工业领域对电机控制应用的不断变化的需求，还提供未来安全关键型解决方案所需的高效而稳定可靠的性能。

- **安全和保护：**采用ISO 26262流程、支持ASIL C级和D级体系认证的H桥电机驱动器。
- **可扩展性：**SPI可编程的电流限制、压摆率、故障报告和控制方案使同一IC能服务于各种应用和电机尺寸。
- **热管理：**集成功率MOSFET有与温度有关的电流限制折返，可降低功率、防止器件过热。

HB2002: SPI可编程的H桥有刷直流电机驱动器 Block Diagram



View additional information for [SPI可编程的H桥有刷直流电机驱动器](#).

Note: The information on this document is subject to change without notice.

www.nxp.com

NXP and the NXP logo are trademarks of NXP B.V. All other product or service names are the property of their respective owners. The related technology may be protected by any or all of patents, copyrights, designs and trade secrets. All rights reserved. © 2025 NXP B.V.