



# 12位GTL-/GTL/GTL+至LVTTTL变换器

## GTL2107PW

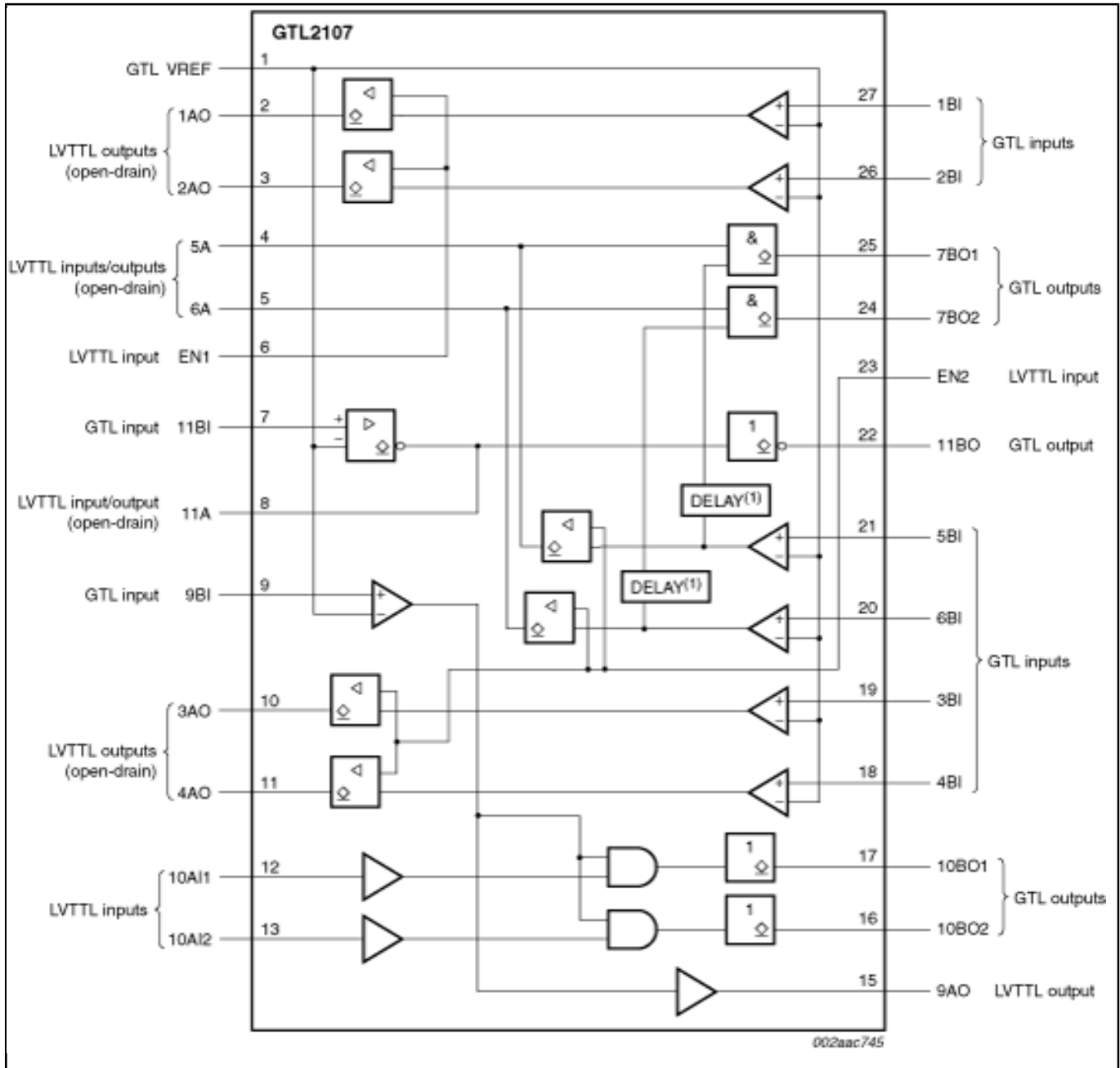
### 存档

本页面包含有关样品阶段产品的信息。此处的规格和信息如有更改，恕不另行通知。如需了解其他信息，请联系支持人员或您的销售代表。

Last Updated: Jun 15, 2023

GTL2007是一款用在双Xeon处理器、GTL-/GTL/GTL+ I/O和平台健康管理、南桥以及电源LVTTTL和GTL信号之间的自定义转换器。

## Block diagram: GTL2107PW Block Diagram



View additional information for [12位GTL-/GTL/GTL+至LVTTL变换器](#).

Note: The information on this document is subject to change without notice.

[www.nxp.com](http://www.nxp.com)

NXP and the NXP logo are trademarks of NXP B.V. All other product or service names are the property of their respective owners. The related technology may be protected by any or all of patents, copyrights, designs and trade secrets. All rights reserved. © 2024 NXP B.V.