



# FXPS7140X汽车安全压力传感器DSI3和PSI5

## FXPS7140X

Last Updated: Sep 20, 2023

随着FXPS71407T1和FXPS7140P7T1的停产，FXPS71407ST1和FXPS7140P7ST1成为新设计的推荐器件。

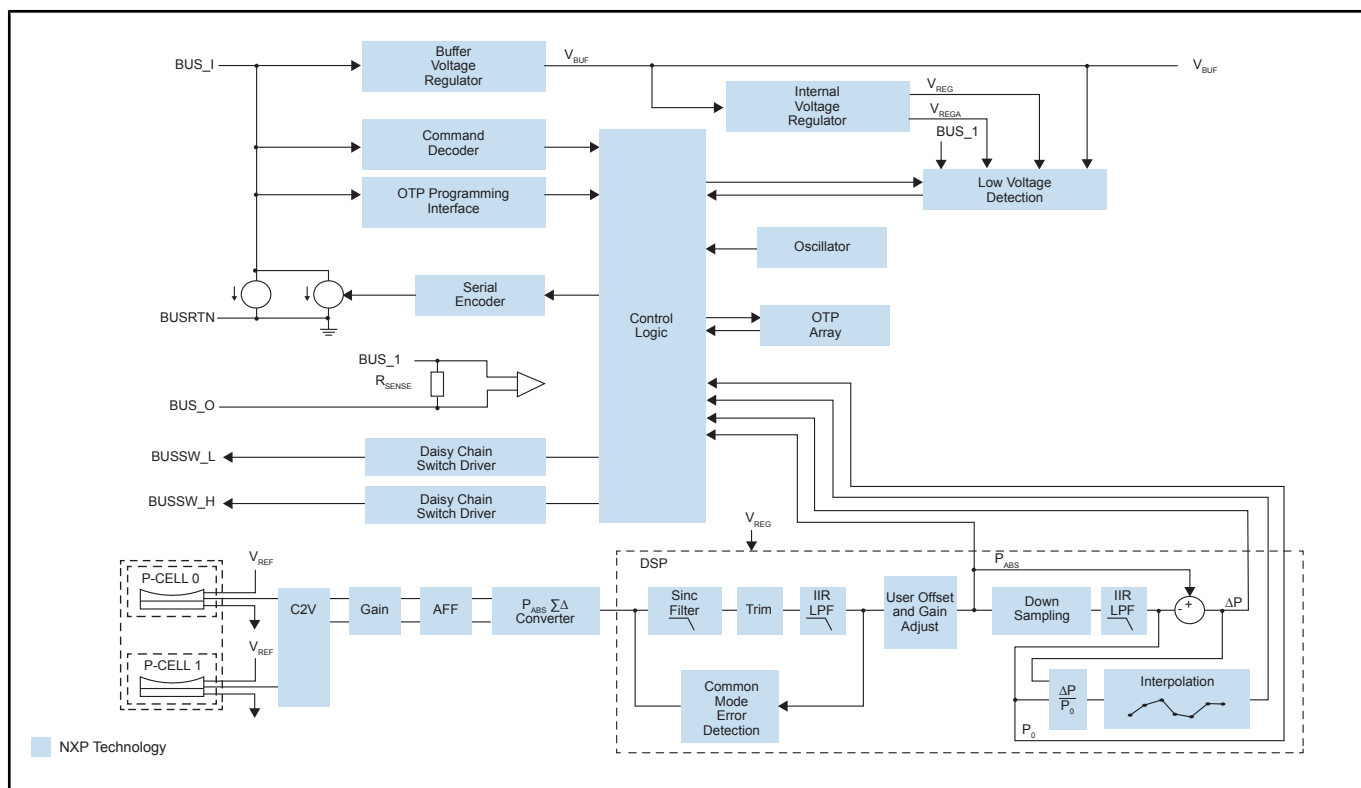
FXPS7140X系列是恩智浦最新一代的安全气囊碰撞传感器。这些器件采用恩智浦专有的MEMS传感技术，并结合QFN 4x4x1.98mm封装的信号调节数字集成电路(IC)进行设计。

该架构采用冗余压力传感器作为扩展的质量指标。该传感器通过用户可配置的DSI3和PSI5接口提供40kPa至140kPa的高精度压力感应范围。嵌入式DSP提供完全可编程的数字低通滤波。

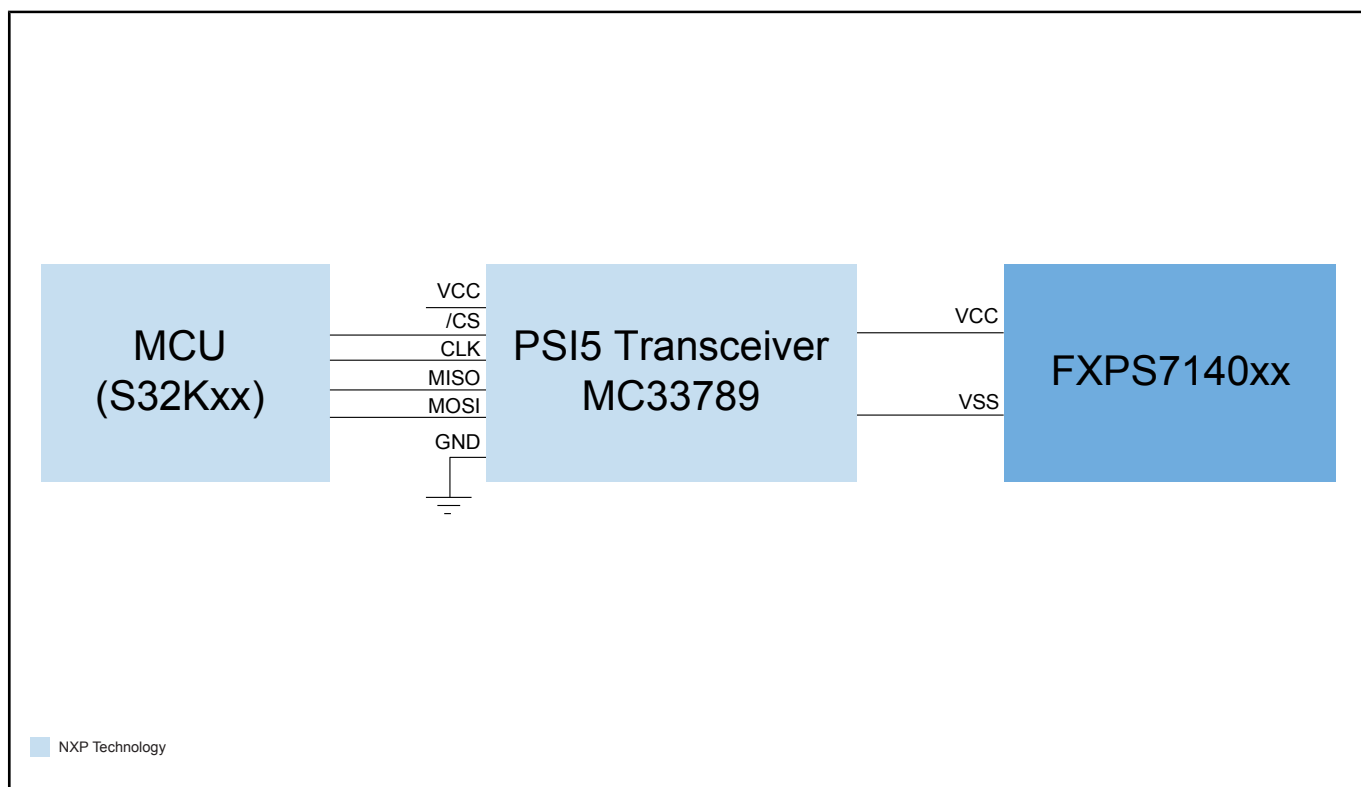
FXPS7140X系列完全符合AEC-Q100标准，工作温度最高可达125° C，并符合AK LV29的要求。封装具有可湿润的侧面，用于焊料连接检查。FXPS7140X产品是根据ISO26262 2018版开发的，可用于ASIL D级系统。

如需了解更多信息和样品供货情况，请联系支持人员或当地销售代表。

## FXPS7140X汽车安全压力传感器框图 Block Diagram



## FXPS7140X PSI5收发器示意图 Block Diagram



View additional information for [FXPS7140X汽车安全压力传感器DSI3和PSI5](#).

**Note:** The information on this document is subject to change without notice.

---

**[www.nxp.com](http://www.nxp.com)**

NXP and the NXP logo are trademarks of NXP B.V. All other product or service names are the property of their respective owners. The related technology may be protected by any or all of patents, copyrights, designs and trade secrets. All rights reserved. © 2024 NXP B.V.