



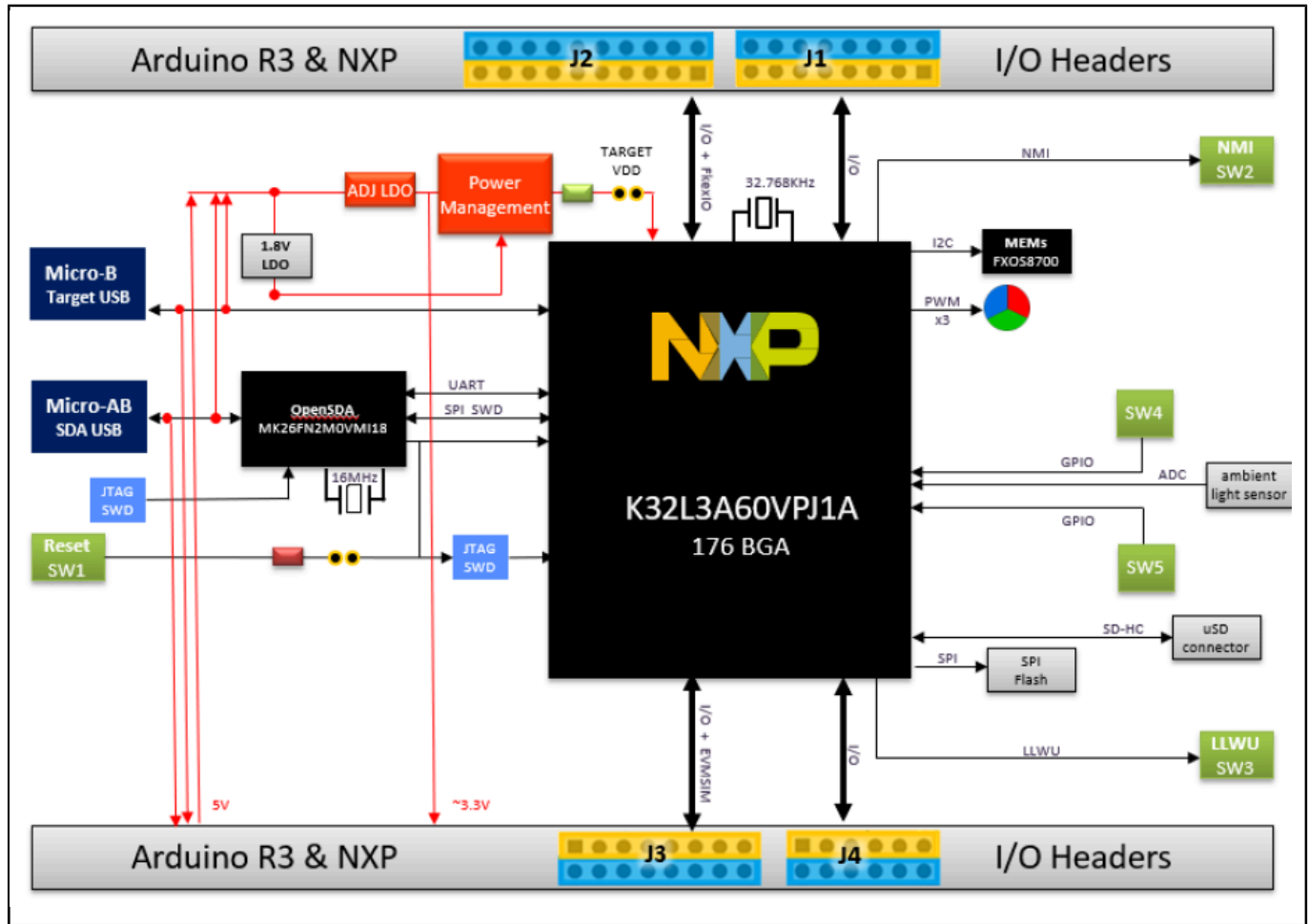
面向**K32 L3 MCU**的恩智浦**Freedom**开发平台

FRDM-K32L3A6

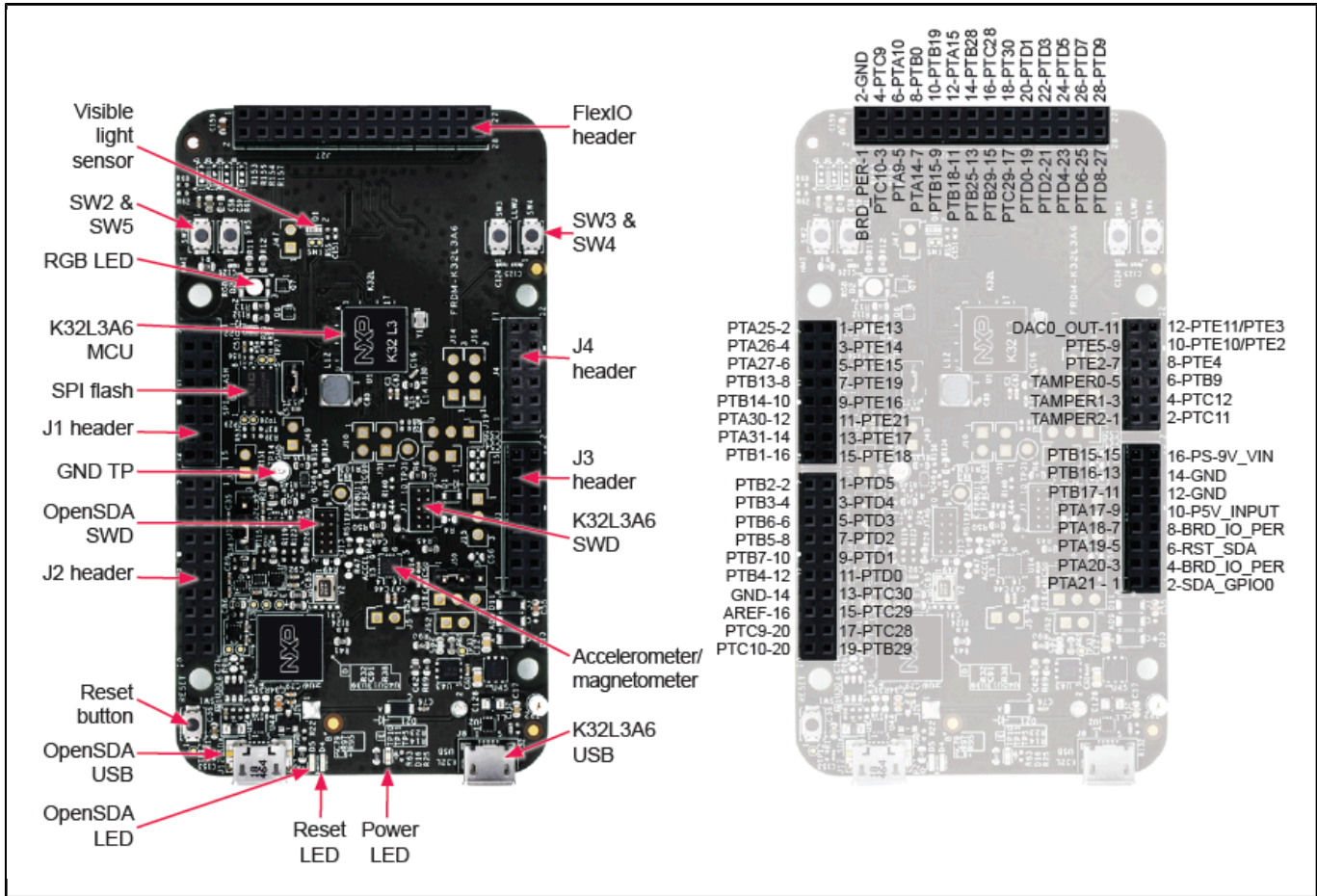
Last Updated: Sep 7, 2022

FRDM-K32L3A6开发板由带有**32 Mbit**外部串行闪存的**K32L3A6**设备、FX0S8700加速度传感器/磁力计、可见光传感器、SDHC电路、通用**LED**和通用按钮组成，采用受欢迎的**Freedom**板规格。

FRDN K32L3A6 Block Diagram



CALLOUT Block Diagram



View additional information for [面向K32 L3 MCU的恩智浦Freedom开发平台](#).

Note: The information on this document is subject to change without notice.

www.nxp.com

NXP and the NXP logo are trademarks of NXP B.V. All other product or service names are the property of their respective owners. The related technology may be protected by any or all of patents, copyrights, designs and trade secrets. All rights reserved. © 2024 NXP B.V.