



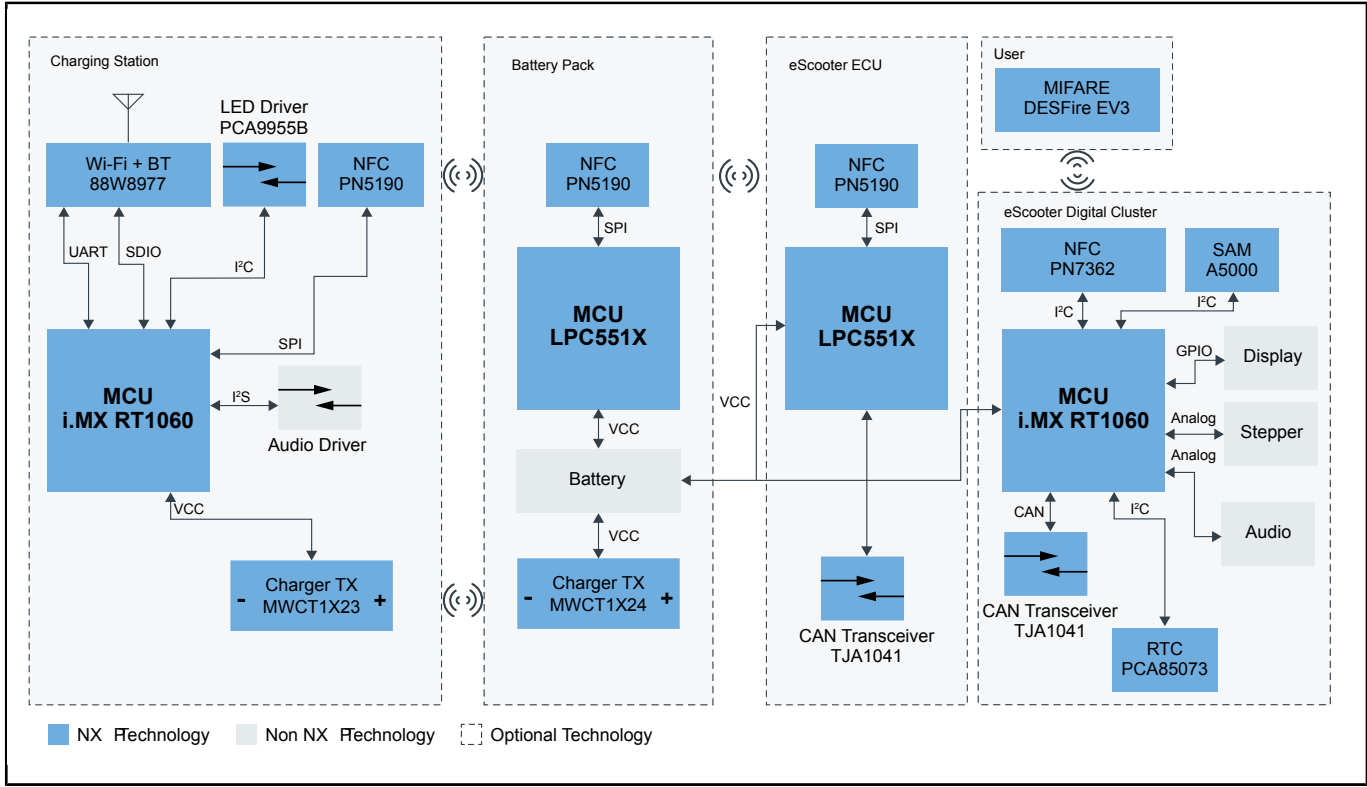
电动代步车**NFC**门禁和电池通信

ESCOOTNFCBTY

Last Updated: Jul 20, 2023

从身份证到电子护照等各种政府身份识别的应用都采用了免接触式技术。对于恩智浦而言，为政务应用保驾护航是恩智浦公司的重要事项。我们专注于寻找更好的方法，保护机密数据并保证个人信息的安全，使其免受损害。这款解决方案基于i.MX RT技术和我们的NFC产品组合，将涵盖身份识别和车辆应用的广泛用途。

电动代步车NFC门禁和电池通信 Block Diagram



View additional information for [电动代步车NFC门禁和电池通信](#).

Note: The information on this document is subject to change without notice.

www.nxp.com

NXP and the NXP logo are trademarks of NXP B.V. All other product or service names are the property of their respective owners. The related technology may be protected by any or all of patents, copyrights, designs and trade secrets. All rights reserved. © 2024 NXP B.V.