

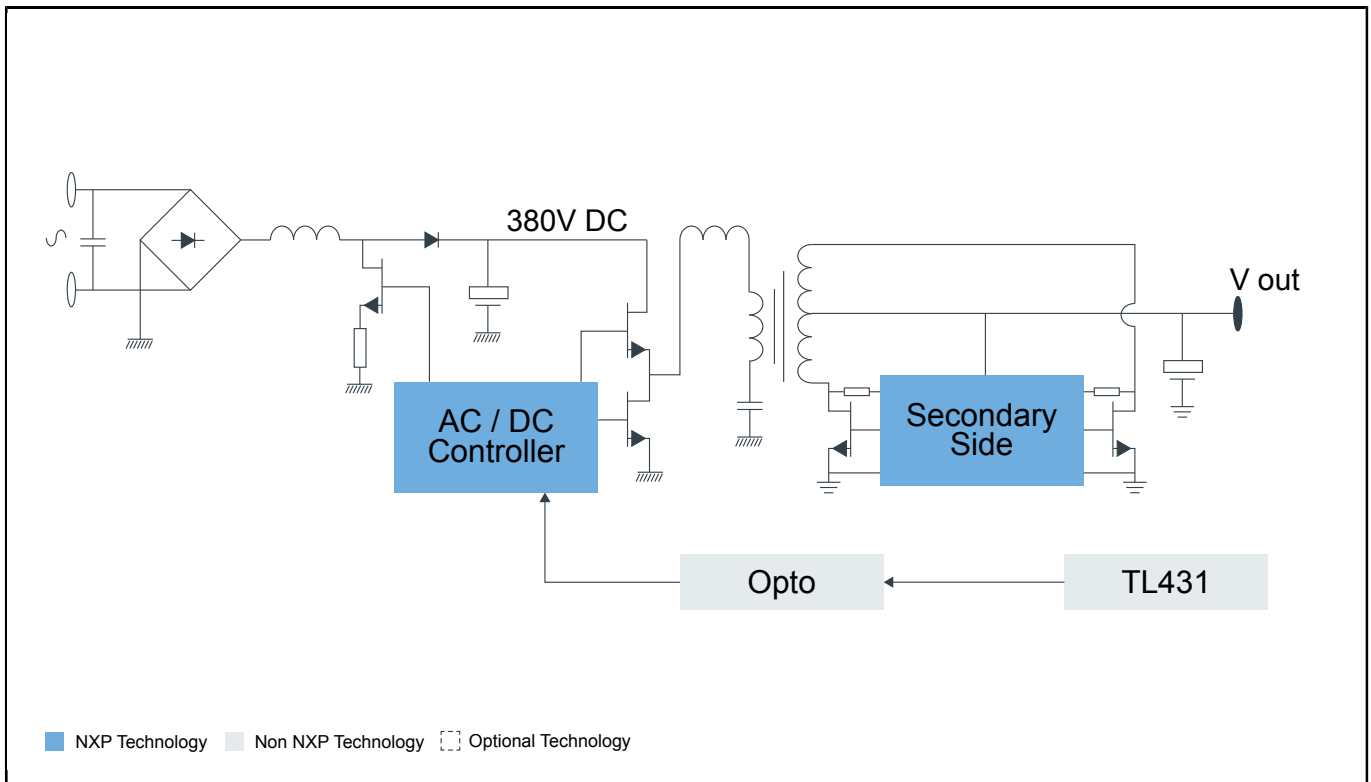


# 电力转换器和变压器

Last Updated: Mar 21, 2023

恩智浦提供多种电力转换解决方案，包括AC-AC、AC-DC和DC-DC转换器。多样性的产品可以覆盖工业控制、住宅和个人等不同市场。

## AC-DC Block Diagram



### Recommended Products for AC-DC

AC/DC控制器	• AC-DC解决方案: AC-DC解决方案
备用控制器	• 次级侧控制器: 次级侧控制器

View our complete solution for [电力转换器和变压器](#).

**Note:** The information on this document is subject to change without notice.

---

**[www.nxp.com](http://www.nxp.com)**

NXP and the NXP logo are trademarks of NXP B.V. All other product or service names are the property of their respective owners. The related technology may be protected by any or all of patents, copyrights, designs and trade secrets. All rights reserved. © 2024 NXP B.V.