



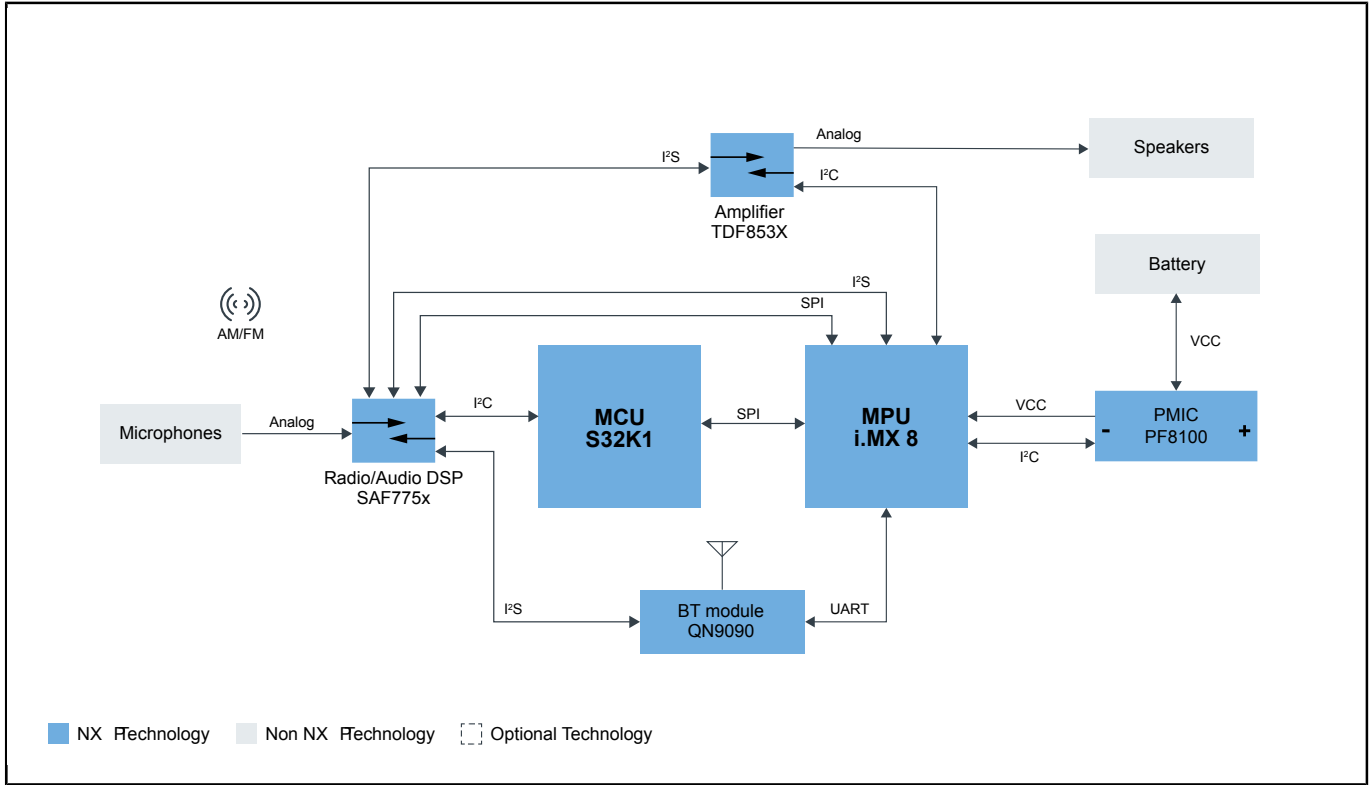
# 回声消除和降噪

## ECNR

Last Updated: Jul 20, 2023

借助广泛的接收和处理音频、回声消除和降噪的器件组合，恩智浦还为汽车音响系统提供**AB**类和**D**类放大器。这些提供了更多的通道、高输出功率和高电源电压，让客户能够灵活地进行设计。为客户提供参考软件和硬件，帮助他们减少开发周期并加快产品上市速度。

## 回声消除和降噪 Block Diagram



View additional information for [回声消除和降噪](#).

**Note:** The information on this document is subject to change without notice.

**www.nxp.com**

NXP and the NXP logo are trademarks of NXP B.V. All other product or service names are the property of their respective owners. The related technology may be protected by any or all of patents, copyrights, designs and trade secrets. All rights reserved. © 2024 NXP B.V.