



# **DRONE-MR-HGK-RT Unmanned Aerial Vehicle Robotics Reference Design**

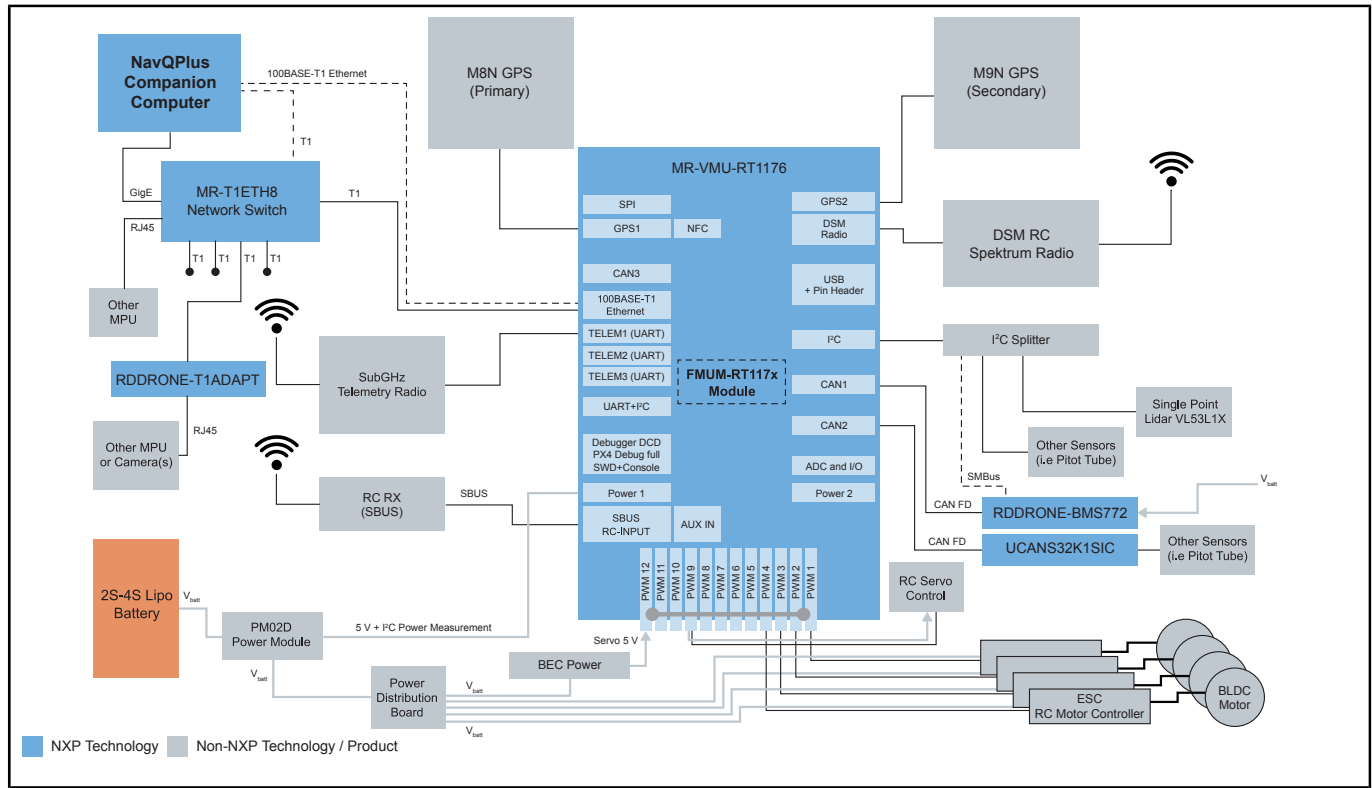
## **DRONE-MR-HGK-RT**

**Active**

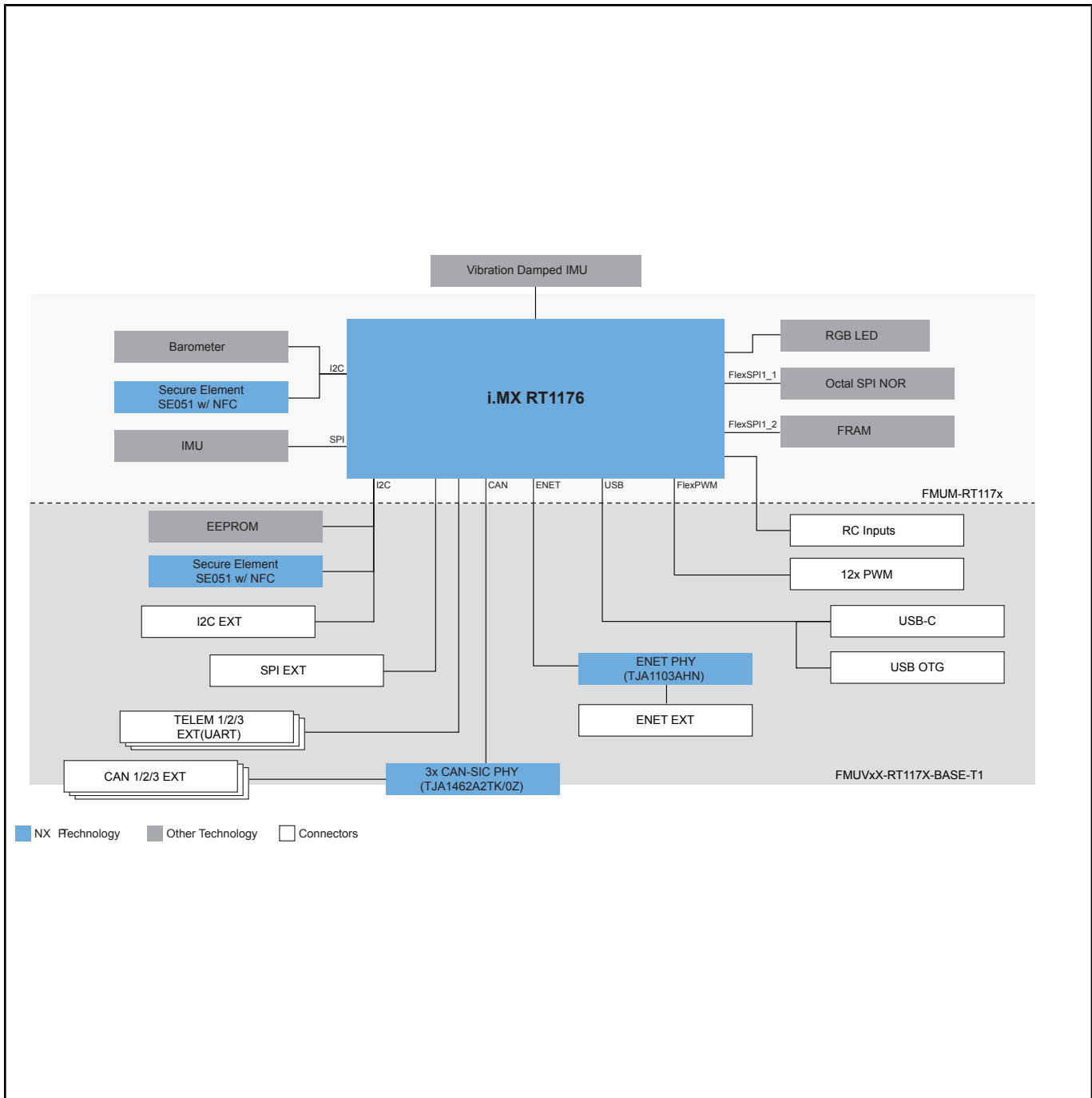
Last Updated: Jul 3, 2026

The DRONE-MR-HGK-RT NXP HoverGames Kit UAV Robotics Reference Design combines the MR-VMU-RT1176 real-time vehicle management unit with modular hardware to self-assemble a drone. It supports the PX4 flight stack, Zephyr RTOS and Cognipilot, enabling flexible development in control, communications and autonomous systems. The platform integrates BLDC motor controllers, power distribution, networking and expansion support for components like NavQPlus, RTK-GPS and telemetry radios. This design accelerates prototyping for UAVs and robotic systems.

# Drone System Block Diagram



# Real-Time Vehicle Management Unit Block Diagram



View additional information for [DRONE-MR-HGK-RT Unmanned Aerial Vehicle Robotics Reference Design](#).

**Note:** The information on this document is subject to change without notice.

[www.nxp.com](http://www.nxp.com)

NXP and the NXP logo are trademarks of NXP B.V. All other product or service names are the property of their respective owners. The related technology may be protected by any or all of patents, copyrights, designs and trade secrets. All rights reserved. © 2026 NXP B.V.