



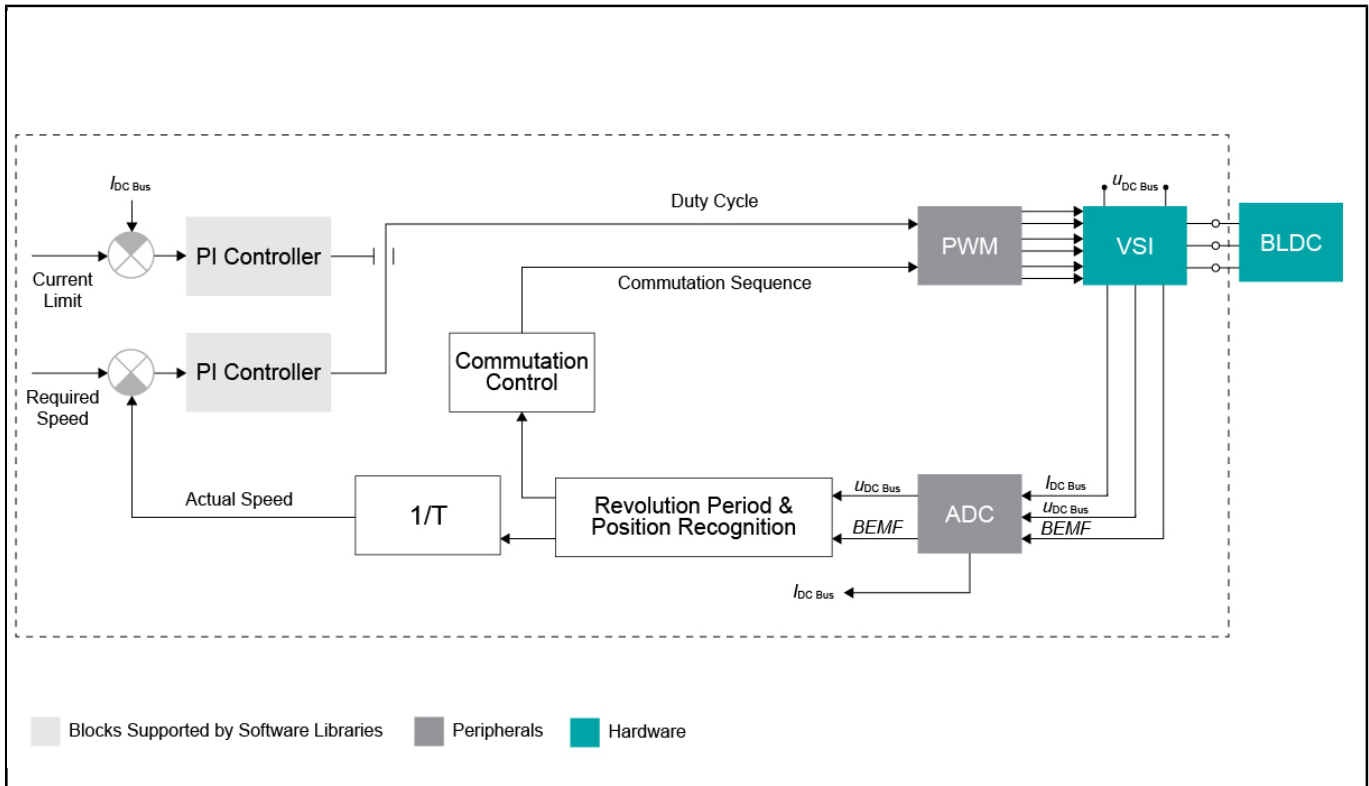
KV系列3相无刷直流电机控制参考设计

BRUSHLESS-DC-MOTOR-CONTROL

Last Updated: Aug 25, 2022

3相无刷直流(BLDC)电机控制参考设计基于V系列MCU，旨在为3相无传感器BLDC电机控制解决方案提供范例。该参考设计采用6步通信流程，包括闭环速度控制和动态电机电流限制。集成了全面的模拟功能，为BLDC电机控制应用提供高性能解决方案。

3相无刷直流电机 Block Diagram



View additional information for [KV系列3相无刷直流电机控制参考设计](#).

Note: The information on this document is subject to change without notice.

www.nxp.com

NXP and the NXP logo are trademarks of NXP B.V. All other product or service names are the property of their respective owners. The related technology may be protected by any or all of patents, copyrights, designs and trade secrets. All rights reserved. © 2024 NXP B.V.