



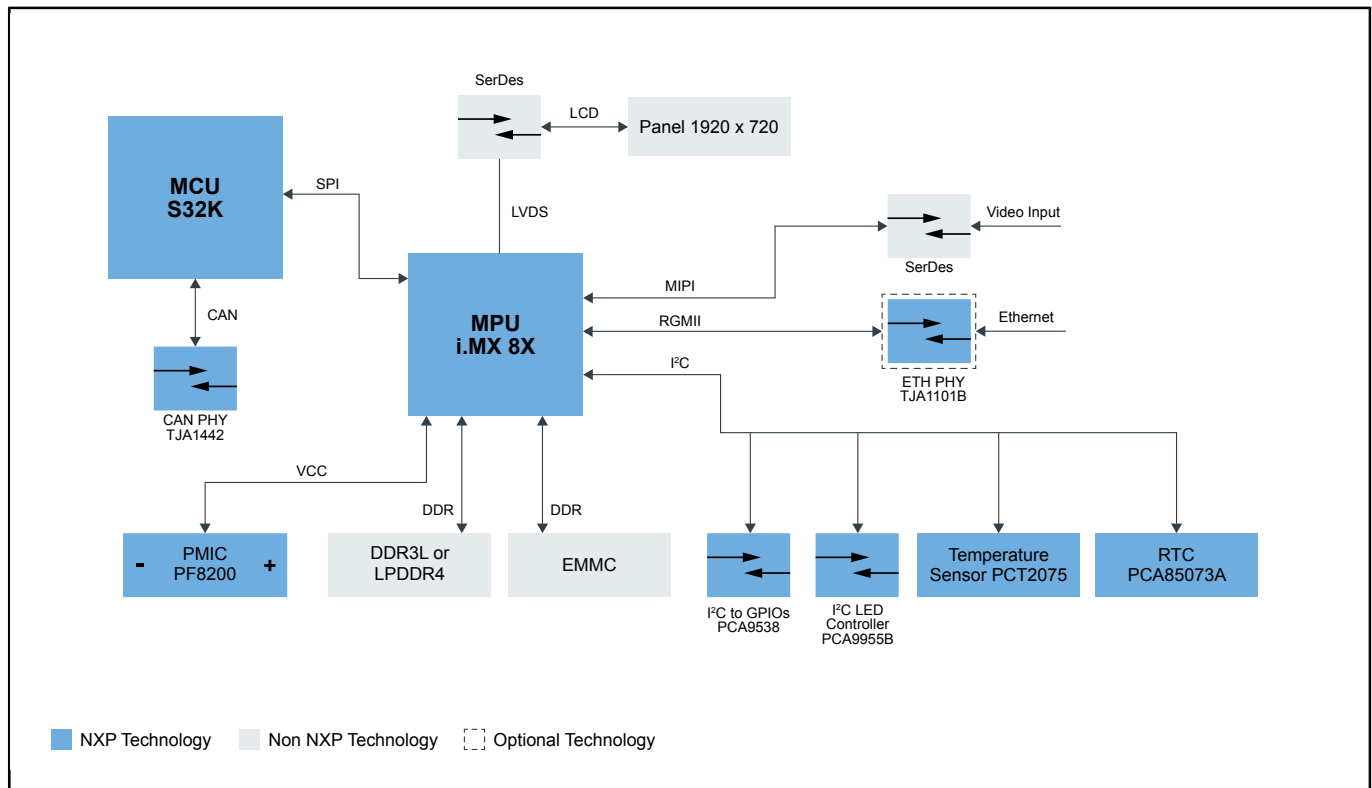
# 基于虚拟仪表盘

## BASED-VIRTUAL-CLUSTER

Last Updated: Jun 1, 2023

为了进一步助力您提升仪表盘设计，恩智浦提供了广泛的硬件和软件开发工具套件。恩智浦提供多种高性价比的解决方案。这些解决方案基于我们种类齐全的仪表盘处理器，范围从8位的S08系列直到行业领先的16位S12架构，并集成了所需的接口功能，包括优化组合的片上功能、封装和存储器选项。

## 基于虚拟仪表板 Block Diagram



View additional information for [基于虚拟仪表板](#).

**Note:** The information on this document is subject to change without notice.

**www.nxp.com**

NXP and the NXP logo are trademarks of NXP B.V. All other product or service names are the property of their respective owners. The related technology may be protected by any or all of patents, copyrights, designs and trade secrets. All rights reserved. © 2024 NXP B.V.