



# 基于i.MX 8M Plus的AI机器人平台

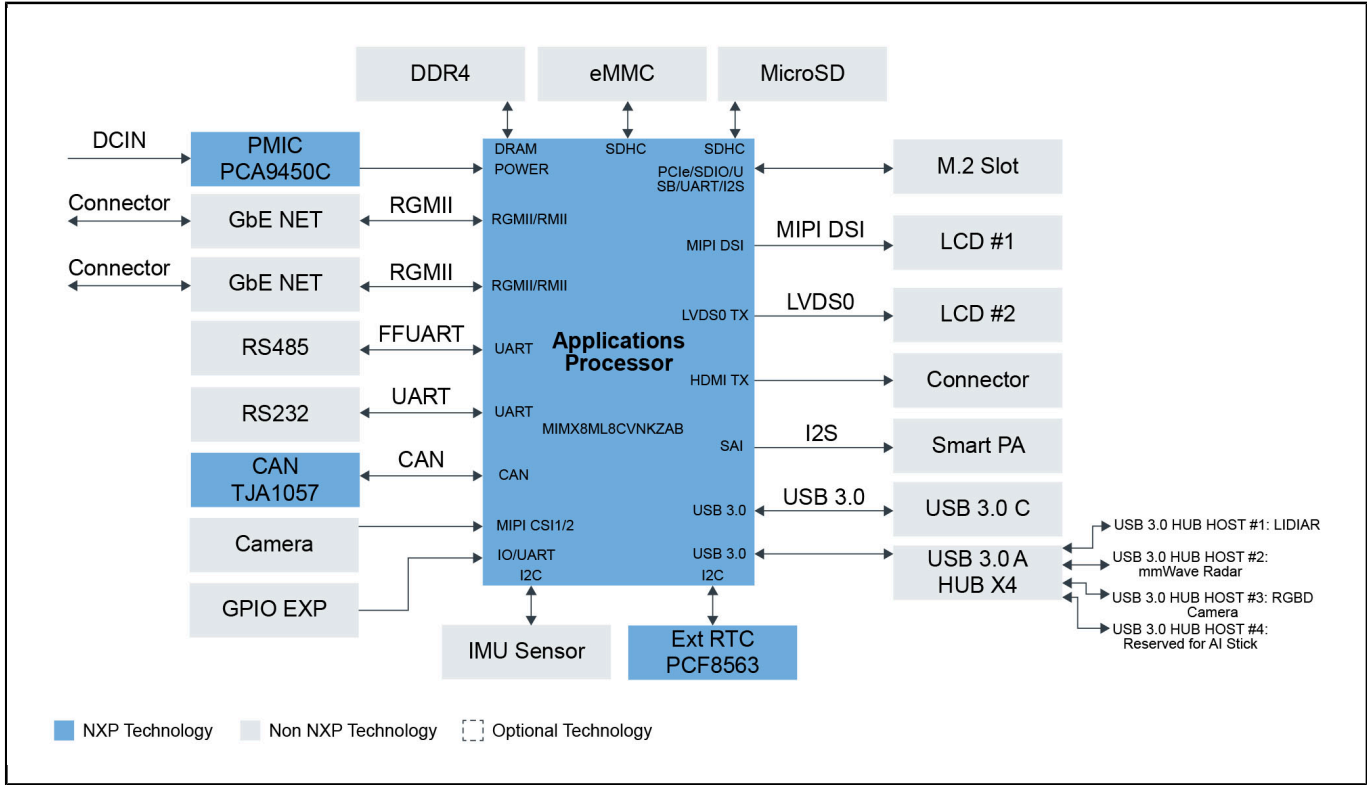
## AI-ROBOT-PLATFORM

Last Updated: Aug 25, 2022

AI Robot平台基于恩智浦的i.MX8M Plus应用处理器，目的是为客户提供移动服务机器人的参考设计，如机器人吸尘器、自动化工厂用的各种工业机器人，以及协作机器人、无人搬运车(AGV)等。

请联系恩智浦销售代表，获取更多信息。

# AI机器人平台 Block Diagram



View additional information for [基于i.MX 8M Plus的AI机器人平台](#).

**Note:** The information on this document is subject to change without notice.

[www.nxp.com](http://www.nxp.com)

NXP and the NXP logo are trademarks of NXP B.V. All other product or service names are the property of their respective owners. The related technology may be protected by any or all of patents, copyrights, designs and trade secrets. All rights reserved. © 2024 NXP B.V.