



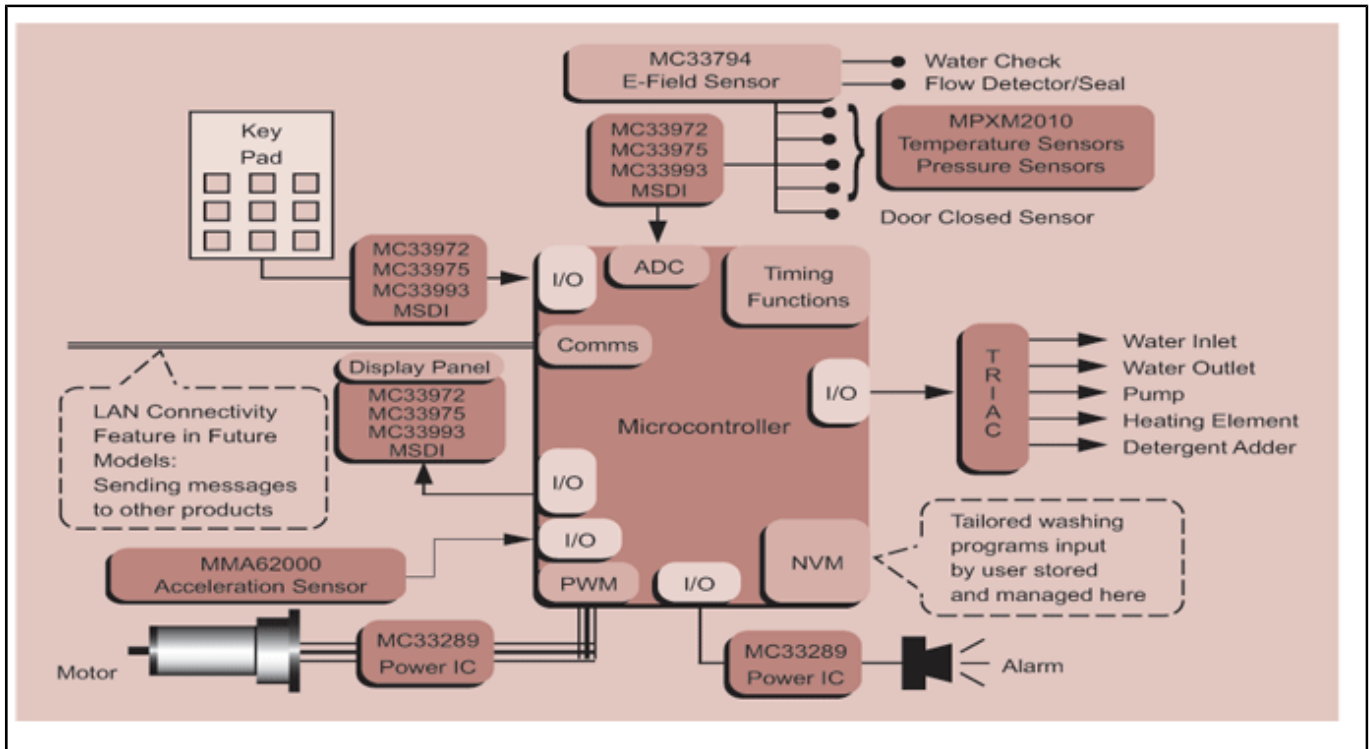
16位微控制器

68HC812A4

Last Updated: Apr 9, 2022

MC68HC812A4是一个16位微控制器(MCU)，它由模块间总线连接起来的多个标准片上外设模块构成。这些模块包括一个16位中央处理器(CPU12)、一个精简集成模块(LIM)、两个异步串行通信接口(SCI0和SCI1)、一个串行外设接口(SPI)、一个定时器和脉冲累加模块、一个8位模数转换器(ATD)、1 KB RAM、带芯片选择的存储器扩展逻辑和多个任意键唤醒端口及一个锁相环(PLL)。

Washer Machines Microcontrollers for M68HC05 Family Block Diagram Block Diagram



View additional information for [16位微控制器](#).

Note: The information on this document is subject to change without notice.

www.nxp.com

NXP and the NXP logo are trademarks of NXP B.V. All other product or service names are the property of their respective owners. The related technology may be protected by any or all of patents, copyrights, designs and trade secrets. All rights reserved. © 2024 NXP B.V.