



# 5G

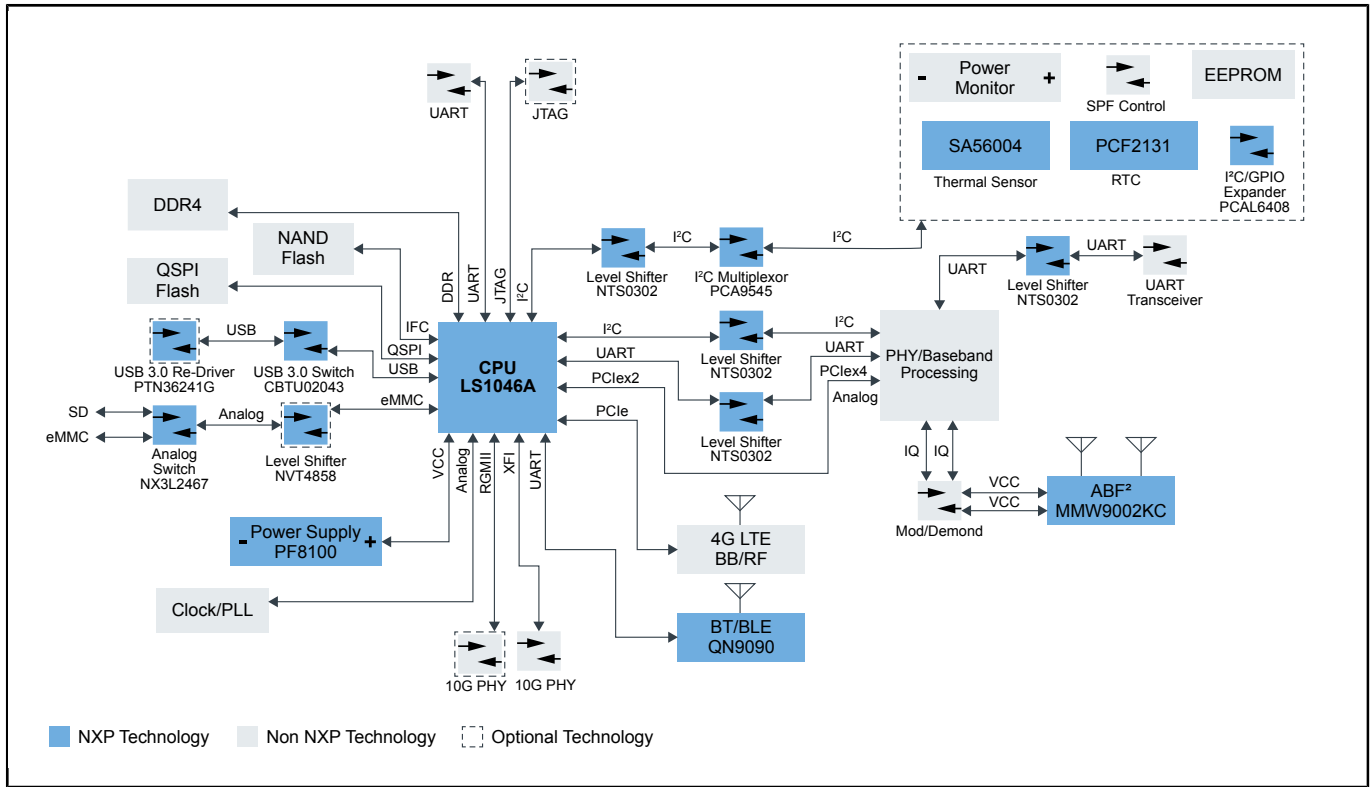
## 5G-BLOCK-DIAGRAM

Last Updated: Jul 6, 2023

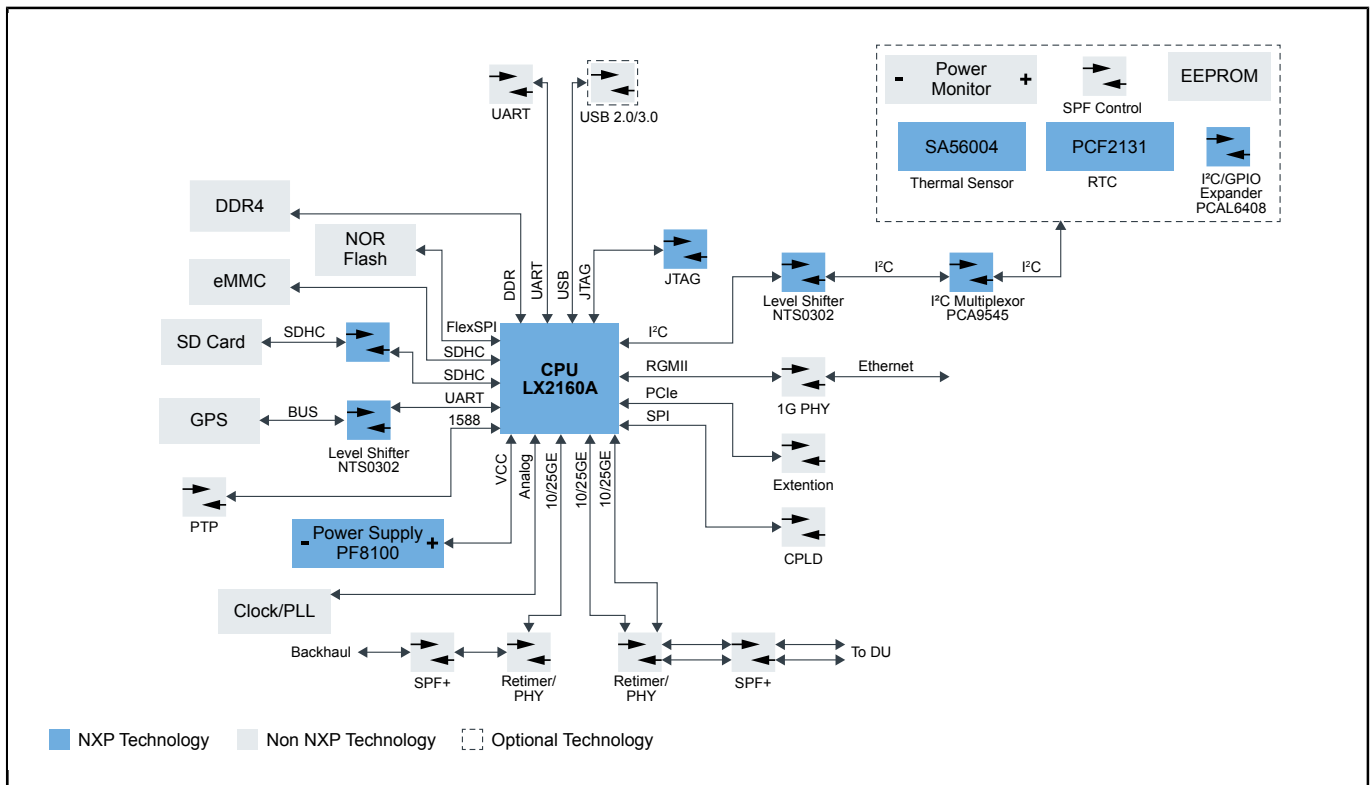
恩智浦的5G接入边缘技术基于开放的O-RAN架构，让设计人员可以更快地部署量身定制的5G解决方案，同时为他们提供更轻松、更划算的方式来维护、升级和扩展其5G功能。要提供超高可靠性和超低延迟，实现实时、可靠的5G交互，还需要在边缘技术方面下功夫。

5G接入边缘技术应用于关键网络基础设施设备中，连接5G核心网和终端用户设备。

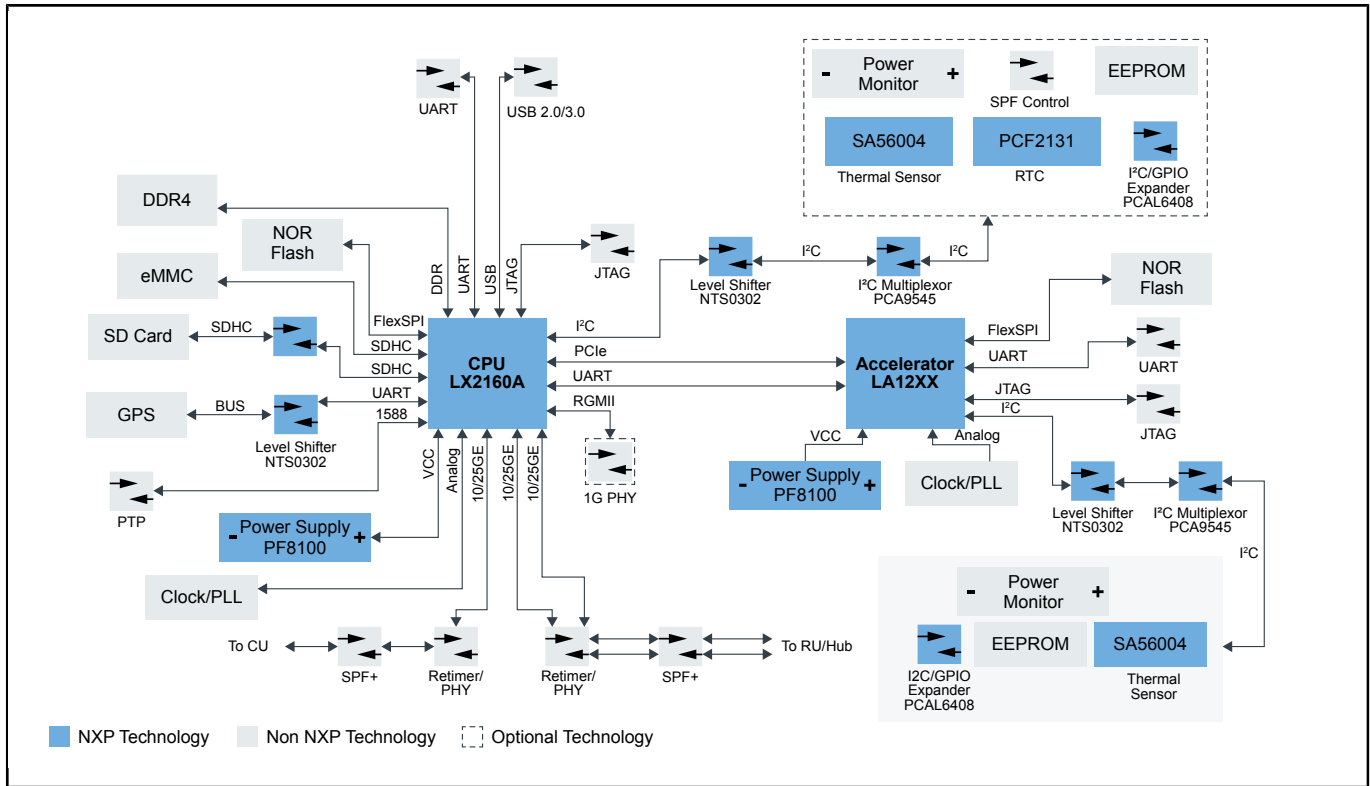
## 客户端设备 Block Diagram



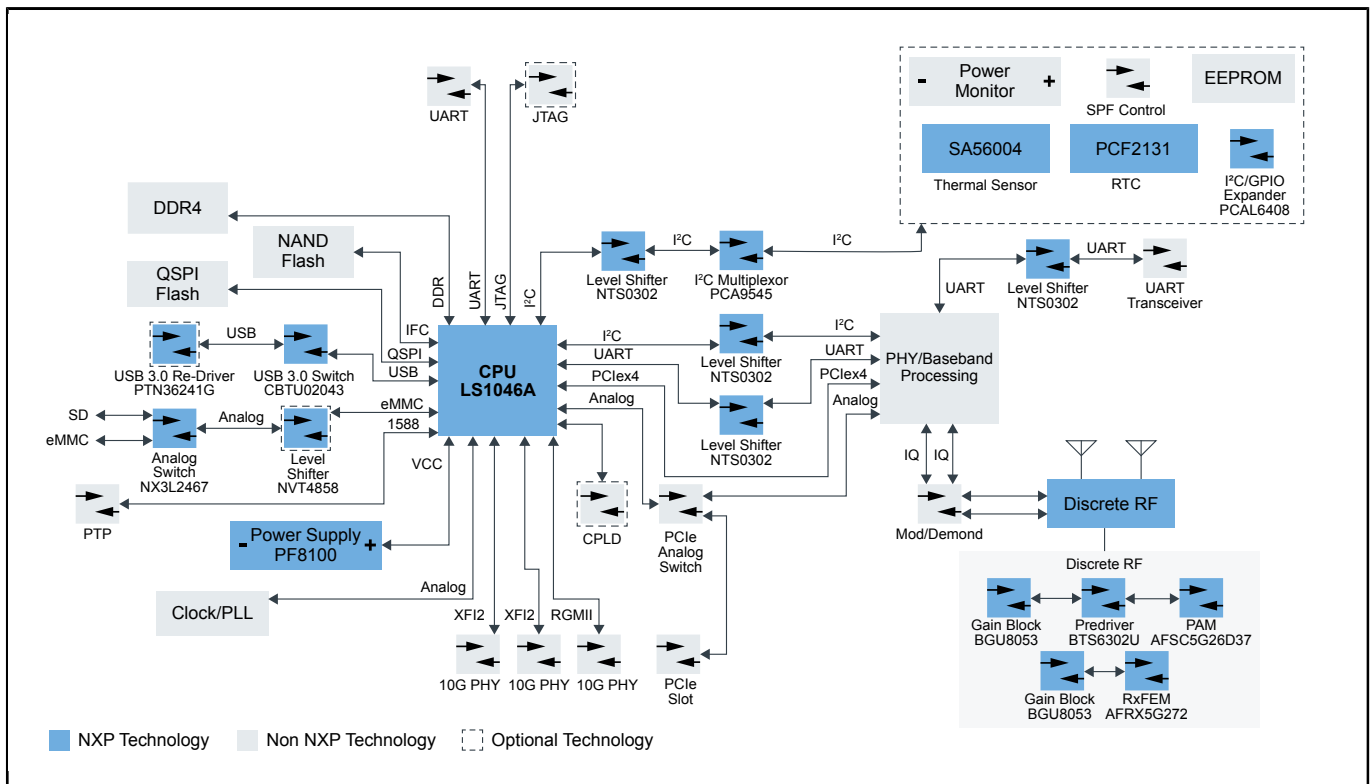
## 中央单元 Block Diagram



## 分布式单元 Block Diagram



## 无线单元 Block Diagram



View additional information for [5G](#).

**Note:** The information on this document is subject to change without notice.

---

**[www.nxp.com](http://www.nxp.com)**

NXP and the NXP logo are trademarks of NXP B.V. All other product or service names are the property of their respective owners. The related technology may be protected by any or all of patents, copyrights, designs and trade secrets. All rights reserved. © 2024 NXP B.V.