

PMSMMKV31

MCUXpresso SDK Field-Oriented Control (FOC) of 3-Phase PMSM and BLDC motors

Rev. 2 — 12 January 2023

User guide

1 Introduction

This user's guide describes the implementation of the sensorless motor-control software for a 3-phase Permanent Magnet Synchronous Motor (PMSM). The software is intended for PMSM with sinusoidal Back Electromotive Force (back-EMF) but is also very well usable for brushless motors (BLDC) with trapezoidal back-EMF.

The software also includes the motor parameters identification algorithm, on NXP 32-bit Kinetis V and Kinetis E series MCUs. The sensorless control software itself and the PMSM control theory, in general, are described in [DRM148: Sensorless PMSM Field-Oriented Control](#).

The Freedom (FRDM-MC-LVPMSM) and High Voltage (HVP-MC3PH) power stages are used as hardware platforms for the PMSM control reference solution.

The hardware-dependent part of the sensorless control software, including a detailed peripheral setup and the Motor Control (MC) peripheral drivers, is described as well.

Available motor control examples, supported motors and possible control methods are listed in [Table 1](#). More detailed description of the examples will be discuss in [Section 5.2](#).

The motor parameters identification theory and algorithms are described in this document.

The last part of the document introduces and explains the user interface represented by the Motor Control Application Tuning (MCAT) page based on the FreeMASTER run-time debugging tool. These tools present a simple and user-friendly way for motor parameter identification, algorithm tuning, software control, debugging, and diagnostics.

Table 1. Available examples and control methods

| Example | Supported motor | Possible control methods in SDK example | | | | |
|--------------|-----------------------|-----------------------------------------|----------------------|----------------------|--------------------|-----------------------|
| | | Scalar & Voltage | Current FOC (Torque) | Sensorless Speed FOC | Sensored Speed FOC | Sensored Position FOC |
| pmsm_snsless | MIGE 60 CST-MO1330 | ✓ | ✓ | ✓ | N/A | N/A |

Note: The latest documentation for the motor control SDK is available on http://www.nxp.com/motorcontrol_pmsm.



2 Supported development boards for KV

There are development boards for the Kinetis KV MCUs for motor-control applications. The development boards and supported MCUs are shown in [Table 2](#). The Freedom development platform (FRDM) is targeted for low-voltage and low-power applications with the PMSM control type. The High-Voltage Platform (HVP) is designed to drive high-voltage (115/220 V) applications with up to 1 kW of power.

Table 2. Supported development boards

| | Platform | |
|-------------------|----------------|---------------|
| | FRDM | HVP |
| MCU / Power Stage | FRDM-MC-LVPMSM | HVP-MC3PH |
| KV31 | N/A | HVP-KV31F120M |

3 Motor control vs. SDK peripheral drivers

The motor-control examples use the MCUXpresso SDK peripheral drivers to configure the general peripherals (such as clocks, SPI, SIM, and ports). However, motor control requires critical application timing because most control algorithms run in a 100- μ s loop. To optimize the CPU load, most peripheral hardware features are implemented for the PWM signal generation, analog signal sampling, and synchronization between the PWM and ADC units.

The standard SDK peripheral drivers do not support the configuration and handling of all required features. The motor-control drivers are designed to configure the critical MC peripherals (eflexPWM, FTM, ADC, and LPIT).

It is highly recommended not to modify the default configuration of the allocated MC peripherals due to a possible application-timing conflict. The *mc_periph_init.c* source file contains configuration functions of allocated peripherals.

4 Hardware setup

The PMSM sensorless application runs on Tower, Freedom, or EVK development platforms with the 24-V Linix Motor in the default configuration. The HVP platform runs with the default configuration for the MIGE 60CST-MO1330 motor.

4.1 MIGE 60CST-MO1330 motor

The MIGE 60CST-MO1330 motor (described in [Table 3](#)) is used by the PMSM sensorless application. You can also adapt the application to other motors just by defining and changing the motor-related parameters. The motor is connected directly to the high-voltage development board via a flexible cable connected to the three-wire development board connector.

Table 3. MIGE 60CST-MO1330 motor parameters

| Characteristic | Symbol | Value | Units |
|----------------------|--------|-------|-------|
| Rated voltage | Vt | 220 | V |
| Rated speed | - | 3000 | rpm |
| Rated power | P | 400 | W |
| Number of pole-pairs | Pp | 4 | - |



Figure 1. MIGE 60CST-MO1330 motor

4.2 Running PMSM application on High-Voltage Platform

To run the PMSM application within the NXP High-Voltage Platform, you need these components:

- HVP daughter card with a Kinetis V series MCU (or [HVP-KV31F120M](#)).
- High-Voltage Platform power stage ([HVP-MC3PH](#)).

You can order all the modules of the High-Voltage Platform from www.nxp.com or from distributors, and easily build the hardware platform for the target application.

4.2.1 HVP-MC3PH

The NXP High-Voltage Platform (HVP) is an evaluation and development solution for Kinetis V and E series MCUs. This platform enables the development of three-phase

MCUXpresso SDK Field-Oriented Control (FOC) of 3-Phase PMSM and BLDC motors

PMSM, BLDC, and ACIM motor-control and power-factor-correction solutions in a safe high-voltage environment. The HVP is a 115/230-V, 1-kW power stage that is an integral part of the NXP embedded motion control series of development tools. It is supplied in the HVP-MC3PH kit in combination with an HVP daughter card and provides a ready-made software development platform. The block diagram of a complete high-voltage motor-control development kit is in [Figure 2](#).

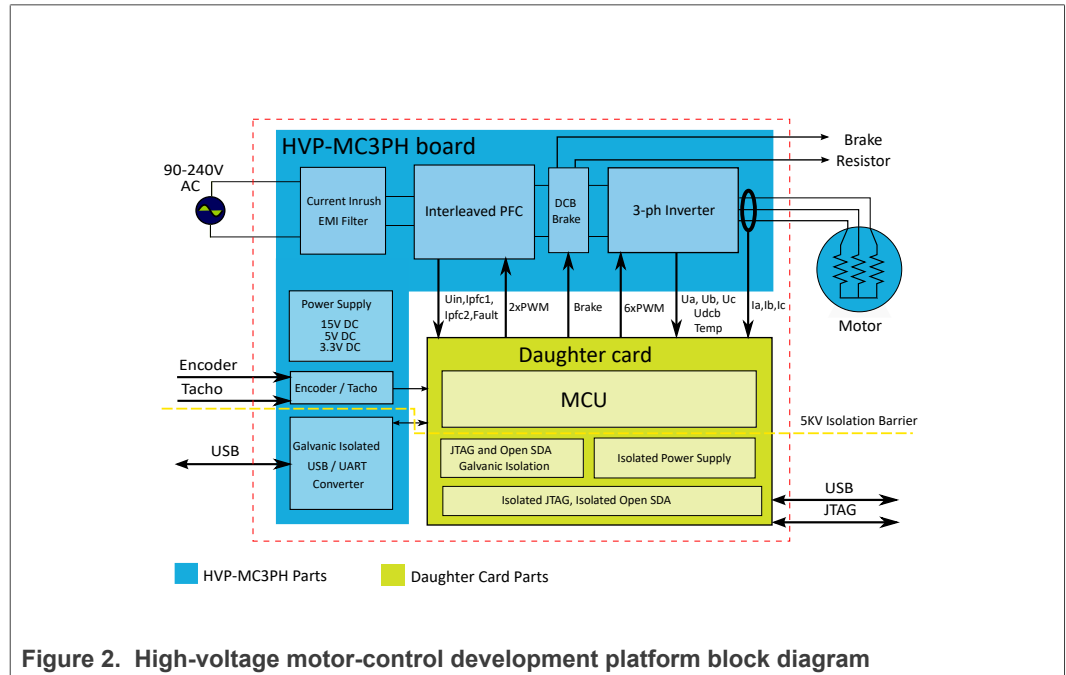


Figure 2. High-voltage motor-control development platform block diagram

The HVP-MC3PH power stage does not require a complicated setup and there is only one way to connect a daughter card to the HVP. The board works in the default configuration, and you don't have to set any jumpers to run the attached application. It is strongly recommended to read the complete *High-Voltage Motor Control Platform User's Guide* (document [HVPMC3PHUG](#)). Note that due to high-voltage, the HVP platform may represent safety risk when not handled correctly. For more information about the NXP high-voltage motor-control development platform, see [nxp.com](#).



Figure 3. HVP-MC3PH high-voltage platform

4.2.2 HVP-KV31F120M daughter card

The HVP-KV31F120M MCU daughter card contains a Kinetis KV3x family MCU built around the Arm Cortex-CM4F core with a floating-point unit, running at 120 MHz, and containing up to 512 KB of flash memory. This daughter card is developed for use in motor-control applications, together with the HVP power stage. This daughter card features OpenSDA, the NXP open-source hardware embedded serial and debug adapter running an open-source bootloader.

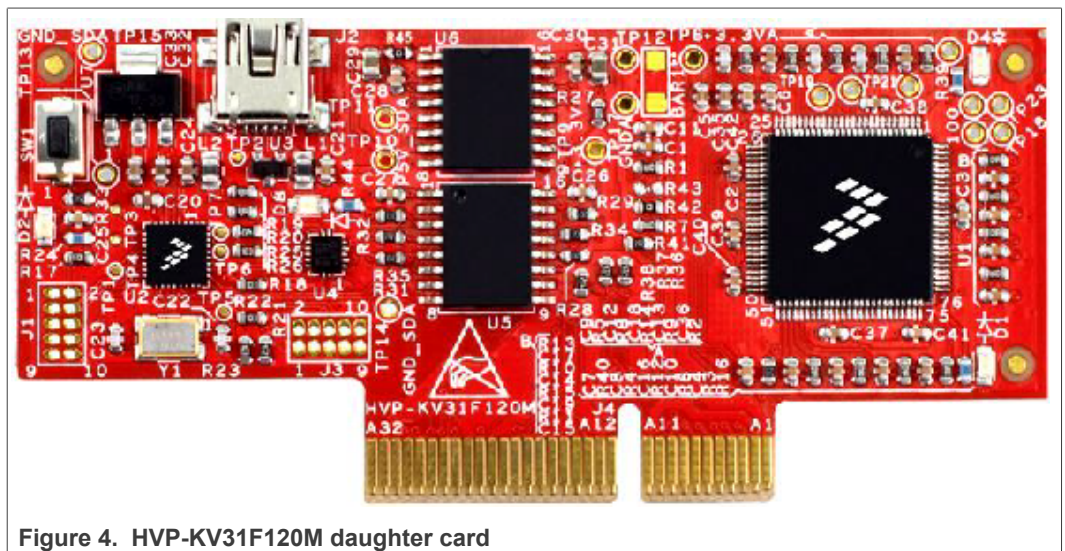


Figure 4. HVP-KV31F120M daughter card

4.2.3 HVP assembling

1. Check whether the HVP-MC3PH main board is unplugged from the voltage source.
2. Insert the HVP-KVxxx daughter board to the HVP-MC3PH main board (connector J11 is the only option).
3. Connect the PMSM motor three-phase wires into the screw terminals J13 on the board. The order of phases only affects the rotor spinning direction.

4. Plug the USB cable from the USB host to the OpenSDA micro USB connector on the daughter board.
5. Plug a 230-V power supply to the power connector and switch it on.

5 MCU features and peripheral settings

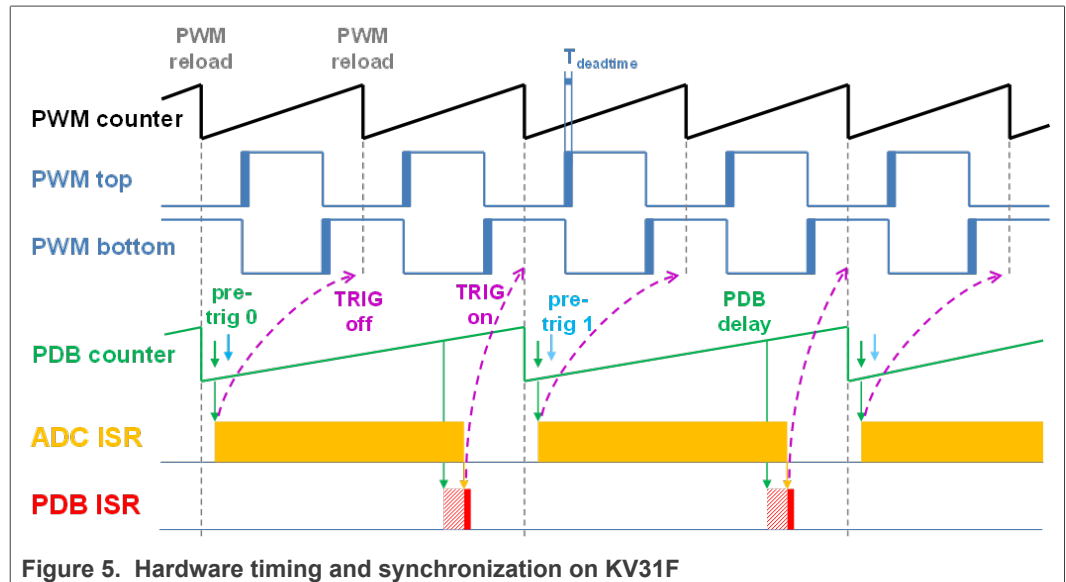
The peripherals used for motor control differ among different Kinetis MCUs. The peripheral settings and application timings for each MCU are described in the following sections.

5.1 KV3x family

The KV31F MCU family is a highly scalable member of the Kinetis V series and provides a high-performance, cost-competitive, motor-control solution. Built on the Arm Cortex-M4 core running at 120 MHz, with up to 512 KB of flash and up to 96 KB of RAM and combined with a floating-point unit, it delivers a platform enabling customers to build a scalable solution portfolio. The additional features include dual 16-bit ADCs sampling at up to 1.2 MS/s in a 12-bit mode, 20 channels of flexible motor-control timers (PWMs) across four independent time bases, and large RAM block enabling local execution of fast control loops at the full clock speed. For more information, see *KV31F Sub-Family Reference Manual* (document [KV31P100M120SF7RM](#)).

5.1.1 Hardware timing and synchronization

Correct and precise timing is crucial for motor-control applications. Therefore, the motor-control-dedicated peripherals take care about the timing and synchronization on the hardware layer. In addition, it is possible set the PWM frequency as a multiple of the ADC interrupt (FOC calculation) frequency, in this case $FOCfreq = PWMfreq/2$. The timing diagram is shown in [Figure 5](#).



- The top signal (**PWM counter**) shows the FTM counter reloads. The dead time is emphasized at the **PWM top** and **PWM bottom** signals. The FTM_TRIG is generated on the **PWM reload**, which triggers the PDB (resets the **PDB counter**).
- The PDB generates a first pre-trigger for the first ADC (phase current) sample with approximate delay of $T_{deadtime}/2$. This delay ensures correct current sampling at duty cycles close to 100 %.

- When the conversion of the first ADC sample (phase current) is completed, the **ADC ISR** is entered. At first, the next FTM_TRIG is disabled (**TRIG off**). This ensures no **PDB counter** resets at the next **PWM reload**. The FOC is then calculated.
- In the middle of the next PWM period (**PDB delay**), the **PDB ISR** is called. This interrupt only enables the FTM_TRIG (**TRIG on**) in the next **PWM reload**. The **PDB ISR** has lower priority than the **ADC ISR**. The **PDB delay** length determines the ratio between the PWM and FOC frequencies.
- The PDB uses the back-to-back mode to automatically generate the **pre-trig 1** (for DC-bus voltage measurement) immediately after the first conversion is completed.

5.1.2 Peripheral settings

This section describes only the peripherals used for motor control. KV31F contains a 6-channel FlexTimer (FTM) used for 6-channel PWM generation and two 16-bit SAR ADCs for the phase currents and DC-bus voltage measurement. The FTM and ADC are synchronized via the Programmable Delay Block (PDB). One channel from another independent FTM is also used for the slow-loop interrupt generation.

5.1.3 PWM generation - FTM0

- The FTM is clocked from the 60-MHz Bus clock.
- Only six channels are used, the other two are masked in the OUTMASK register.
- Channels 0+1, 2+3, and 4+5 are combined in pairs running in the complementary mode.
- The fault mode is enabled at each combined pair with the automatic fault clearing (PWM outputs are re-enabled the first PWM reload after the fault input returns to zero).
- The PWM period (frequency) is determined as how long it takes the FTM to count from CNTIN to MOD. By default, $CNTIN = -MODULO/2 = -3000$ and $MOD = MODULO/2 - 1 = 2999$. The FTM is clocked from the System clock (60 MHz), so it takes 0.0001 s (10 kHz).
- The dead-time insertion is enabled at each combined pair. The dead-time length is calculated as the System clock 60 MHz * $T_{deadtime}$. The dead time varies among platforms.
- The FTM generates a trigger to the PDB on counter initialization.
- The FTM fault input is enabled, but its polarity and source varies among platforms.

5.1.4 Analog sensing – ADC0, ADC1

- The ADCs operate as 12-bit, single-ended converters.
- The clock source for both ADCs is the 48-MHz IRC48 clock divided by 2 = 24 MHz.
- For the ADC calibration purposes, the ADC clock is 6 MHz and continues the conversion and averaging with 32 samples enabled in the SC3 register. After the calibration is done, the SC register is filled with its default values and the clock is set back to 24 MHz.
- Both ADCs are triggered from the PDB pre-triggers.
- The interrupt that serves the FOC fast loop algorithm is generated after the first conversion is completed.

5.1.5 PWM and ADC synchronization – PDB0

- Like the FTM, the PDB is clocked from the 60-MHz Bus clock.

- The PDB is triggered from the FTM0_TRIG.
- The pre-trigger 0 at each channel is generated $0.5 * T_{\text{deadtime}}$ after the FTM0_TRIG.
- The pre-trigger 1 at each channel is generated immediately after the first conversion is completed using the back-to-back mode.
- The PDB Sequence Error interrupt is enabled. This interrupt is generated when a certain result register is not read and the same pre-trigger occurs at this ADC.
- The PDB Delay interrupt is enabled. This interrupt is generated when the PDB_IDLY is reached. This interrupt enables the FTM_TRIG.
- The PDB Sequence Error and PDB Delay interrupts have a common interrupt vector. Which event generated the interrupt is determined at the beginning of the interrupt according to the ERR flag.

5.1.6 Over-current detection at FRDM platform – CMP1

- The plus input to the CMP is taken from the analog pin.
- The minus input to the CMP is taken from the 6-bit DAC0 reference. The DAC reference is set to 3.197 V ($62/64 * VDD$), which corresponds to 7.73 A (for the 8.25 A scale).
- The CMP filter is enabled and four consecutive samples must agree.

5.1.7 Slow loop interrupt generation – FTM2

- The FTM2 is clocked from the System clock / 16, because the slow loop is usually ten times slower than the fast loop and the modulo value can be kept reasonably low.
- The FTM counts from CNTIN = 0 to MOD = MODULO/16 * 10.
- An interrupt is enabled and generated at the reload and it serves the slow loop.

5.1.8 Communication with MC33937 MOSFET driver – SPI

- The SPI runs in the master mode.
- The SPI chip select 1 signal is active in logic high.
- The baud rate is 3.12 MHz.

5.1.9 Peripheral settings differences among platforms

There are some differences in the peripheral settings among different platforms. [Table 4](#) summarizes these differences.

Table 4. KV31 platform differences

| Peripheral | Feature | Platform | | |
|------------|----------------|-------------------------------------------------|----------------------------------------------------------|-------------------------------------------------|
| | | FRDM | Tower | HVP |
| FTM0 | PWM polarity | high sides active high low sides active high | high sides active low low sides active high | high sides active high low sides active high |
| | Fault source | FLT1, CMP1 out | GPIO pin checked in software, no hardware connection FTM | FAULT 0, input pin |
| | Fault polarity | Active high | Active high | Active low |
| | Dead-time | 0.5 us | 0.5 us | 1.5 us |
| SPI | Driver on SPI | No | Yes | No |

Table 4. KV31 platform differences...continued

| | | | | |
|-----|---------------------|---------|---------|---------|
| PDB | Pre-trigger 0 delay | 0.25 us | 0.25 us | 0.75 us |
|-----|---------------------|---------|---------|---------|

5.1.10 CPU load and memory usage

The following information apply for the *demo* application built with the IAR IDE. [Table 5](#) shows the memory usage and the CPU load. The memory usage is calculated from the *.map* linker file, including the 2-KB FreeMASTER recorder buffer (allocated in RAM). The CPU load is measured using the *SysTick* timer. The CPU load is dependent on the fast loop (FOC calculation) and slow loop (speed loop) frequencies. In this case, it applies for the fast loop of 10 KHz and slow loop of 1 KHz. The total CPU load is calculated according to the following equations.

$$CPU_{fast} = cycles_{fast} \frac{f_{fast}}{f_{CPU}} 100 [\%]$$

$$CPU_{slow} = cycles_{slow} \frac{f_{slow}}{f_{CPU}} 100 [\%]$$

$$CPU_{total} = CPU_{fast} + CPU_{slow} [\%]$$

Where:

CPU_{fast} - the CPU load taken by the fast loop.

$cycles_{fast}$ - the number of cycles consumed by the fast loop.

f_{fast} - the frequency of the fast-loop calculation (10 KHz).

f_{CPU} - the CPU frequency.

CPU_{slow} - the CPU load taken by the slow loop.

$cycles_{slow}$ - the number of cycles consumed by the slow loop.

f_{slow} - the frequency of the slow-loop calculation (1 KHz).

CPU_{total} - the total CPU load consumed by the motor control.

Table 5. KV31 CPU load and memory usage

| | MKV31F |
|-----------------|--------|
| CPU load [%] | 29,4 |
| Flash usage [B] | 14 447 |
| RAM usage [B] | 3 087 |

Note: Memory usage and maximum CPU load can differ depending on the used IDEs and settings.

5.2 Available motor control examples

Following examples are available for the device specified in this document:

- pmsm_snsless

Supported motors and possible control methods for each example are mentioned in the Introduction of this document.

5.2.1 pmsm_snsless example

This example can be used for the sensorless motor control application. Default motor configuration is tuned for the Linix 45ZWN24-40 motor in case of the Freedom development platform, for the Mige 60CST-MO1330 motor in case of the High-voltage platform. Motor identification is implemented in this example. Changing motor configuration is described below.

5.2.2 Change motor configuration

Motor control examples contains two or more configuration files: *m1_pmsm_appconfig.h*, *m2_pmsm_appconfig.h* etc. Each of them contains constants tuned for the selected motor (Linix 45ZWN24-40 or Teknic M-2310P in case of the Freedom development platform, Mige 60CST-MO1330 in case of the High-voltage platform). There are two ways, how to change motor configuration corresponding to the connected motor. The first way is following:

- In the project example folder, find configuration file which will be used for.
- Rename this configuration file to *m1_pmsm_appconfig.h*.
- Rebuild project and load the code to the MCU.

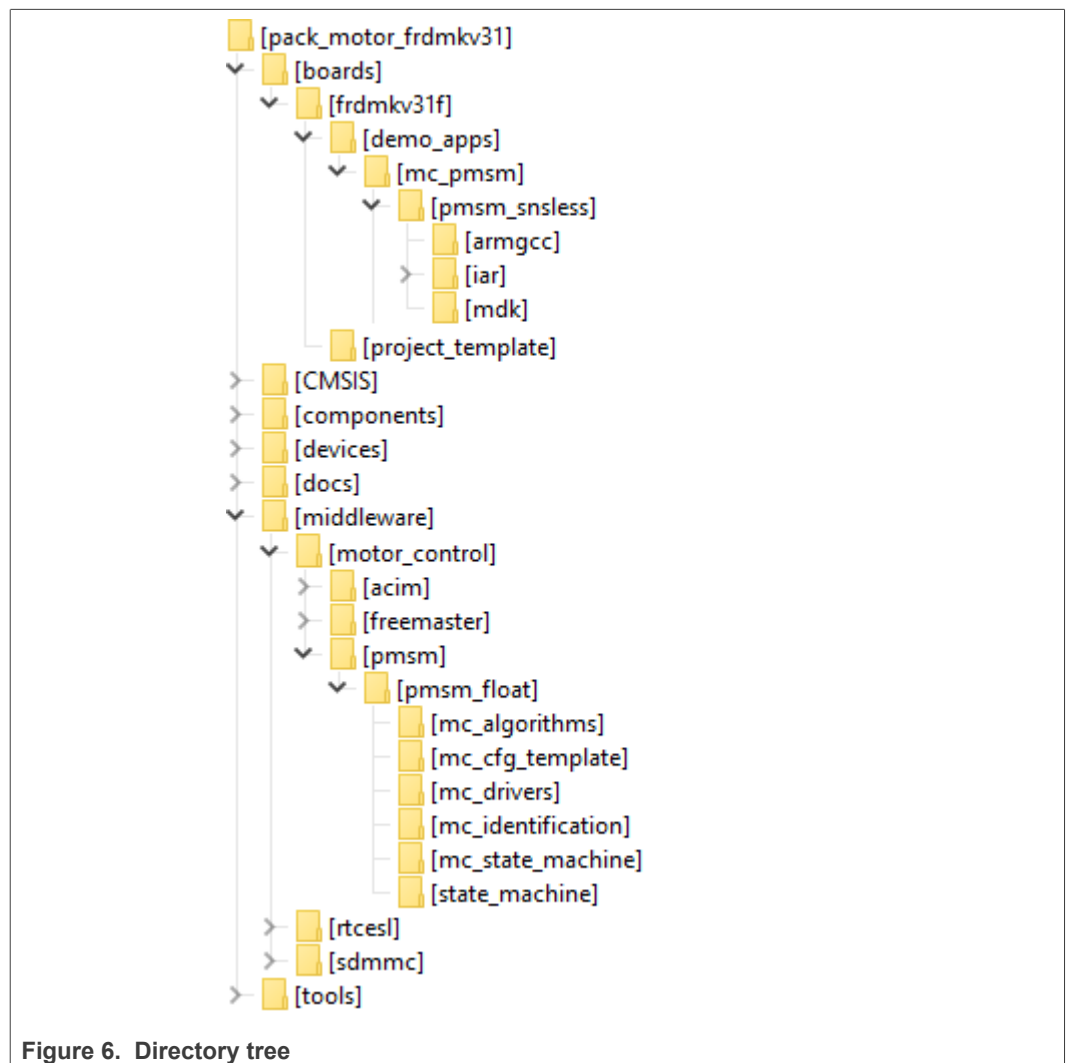
The second way how to change motor configuration is described in [Section 10.3](#).

6 Project file and IDE workspace structure

All the necessary files are included in one package, which simplifies the distribution and decreases the size of the final package. The directory structure of this package is simple, easy to use, and organized in a logical manner. The folder structure used in the IDE is different from the structure of the PMSM package installation, but it uses the same files. The different organization is chosen due to a better manipulation with folders and files in workplaces and due to the possibility to add or remove files and directories. The “*pack_motor_board*” project includes all the available functions and routines, MID functions, scalar and vector control of the motor, FOC control, and FreeMASTER MCAT project. This project serves for development and testing purposes.

6.1 PMSM project structure

The directory tree of the PMSM project is shown in [Figure 6](#).



In the motor control project are located two examples. The main project folder in the first example is located in *pack_motor_xkxxx\boards\xkxxx\demo_apps\mc_pmsm\pmsm_snsless*. The example has motor control peripherals set using MC_PMSM middleware

MCUXpresso SDK Field-Oriented Control (FOC) of 3-Phase PMSM and BLDC motors

component in [MCUXpresso Config Tool](#). The main project folder in the second example is located in `pack_motor_xkxxx\boards\xkxxx\demo_apps\mc_pmsm\pmsm_snsless_reg_init\`. The example has motor control peripherals set using Register Initialization component in MCUXpresso Config Tool. In both examples the main project folder contains these folders and files:

- *iar*—for the IAR Embedded Workbench IDE.
- *armgcc*—for the GNU Arm IDE.
- *mdk*—for the uVision Keil IDE.
- *m1_pmsm_appconfig.h*—contains the definitions of constants for the application control processes, parameters of the motor and regulators, and the constants for other vector-control-related algorithms. When you tailor the application for a different motor using the Motor Control Application Tuning (MCAT) tool, the tool generates this file at the end of the tuning process.
- *main.c*—contains the basic application initialization (enabling interrupts), subroutines for accessing the MCU peripherals, and interrupt service routines. The FreeMASTER communication is performed in the background infinite loop.
- *board.c*—contains the functions for the UART, GPIO, and SysTick initialization.
- *board.h*—contains the definitions of the board LEDs, buttons, UART instance used for FreeMASTER, and so on.
- *clock_config.c and .h*—contains the CPU clock setup functions. These files are going to be generated by the clock tool in the future.
- *mc_periph_init.c*—contains the motor-control driver peripherals initialization functions that are specific for the board and MCU used.
- *mc_periph_init.h*—header file for *mc_periph_init.c*. This file contains the macros for changing the PWM period and the ADC channels assigned to the phase currents and board voltage.
- *freemaster_cfg.h*—the FreeMASTER configuration file containing the FreeMASTER communication and features setup.
- *pin_mux.c and .h*—port configuration files. It is recommended to generate these files in the pin tool.
- *peripherals.c and .h*—MCUXpresso Config Tool configuration files.

The main motor-control folder `pack_motor_xkxxx\middleware\motor_control\` contains these subfolders:

- *pmsm*—contains main pmsm motor-control functions.
- *freemaster*—contains the FreeMASTER project file *pmsm_float.pmp* (*pmsm_frac.pmp* for the fraction version of the MCU). Open this file in the FreeMASTER tool and use it to control the application. The folder also contains the auxiliary files for the MCAT tool.

The `pack_motor_xkxxx\middleware\motor_control\pmsm\pmsm_float` folder contains these subfolders common to the other motor-control projects:

(`pack_motor_xkxxx\middleware\motor_control\pmsm\pmsm_frac` for the fraction version of the MCU)

- *mc_algorithms*—contains the main control algorithms used to control the FOC and speed control loop.
- *mc_cfg_template*—contains templates for MCUXpresso Config Tool components.
- *mc_drivers*—contains the source and header files used to initialize and run motor-control applications.
- *mc_identification*—contains the source code for the automated parameter-identification routines of the motor.

- *mc_state_machine*—contains the software routines that are executed when the application is in a particular state or state transition.
- *state_machine*—contains the state machine functions for the FAULT, INITIALIZATION, STOP, and RUN states.

7 Tools

Install the [FreeMASTER Run-Time Debugging Tool 3.1.4](#) and one of the following IDEs on your PC to run and control the PMSM application properly:

- [IAR Embedded Workbench IDE v9.32.1](#) or higher
- [MCUXpresso v11.7.0](#)
- [ARM-MDK - Keil \$\mu\$ Vision version 5.37](#)

For pin_mux.c, clock_config.c or peripherals.c modifications is recommended use [MCUXpresso Configuration Tool v13](#) or higher.

Note: For information on how to build and run the application in your IDE, see the *Getting Started with MCUXpresso SDK* document located in the pack_motor_<board>/docs folder or find the related documentation at [MCUXpresso SDK builder](#).

7.1 Compiler warnings

Warnings are diagnostic messages that report constructions that are not inherently erroneous and warn about potential runtime, logic, and performance errors. In some cases, warnings can be suspended and these warnings do not show during the compiling process. One of such special cases is the “unused function” warning, where the function is implemented in the source code with its body, but this function is not used. This case occurs when you implement the function as a supporting function for better usability, but you do not use the function for any special purposes for a while.

The IAR Embedded Workbench IDE suppresses these warnings:

- Pa082 - undefined behavior; the order of volatile accesses is not defined in this statement.
- Pa050 - non-native end of line sequence detected.

The Arm-MDK Keil μ Vision IDE suppresses these warnings:

- 6314 - No section matches pattern xxx.o (yy).

By default, there are no other warnings shown during the compiling process.

8 Motor-control peripheral initialization

The motor-control peripherals are initialized by calling the `MCDRV_Init_M1()` function during MCU startup and before the peripherals are used. All initialization functions are in the `mc_periph_init.c` source file and the `mc_periph_init.h` header file. The definitions specified by the user are also in these files. The features provided by the functions are the 3-phase PWM generation and 3-phase current measurement, as well as the DC-bus voltage and auxiliary quantity measurement. The principles of both the 3-phase current measurement and the PWM generation using the Space Vector Modulation (SVM) technique are described in *Sensorless PMSM Field-Oriented Control* (document [DRM148](#)).

8.1 mc_pmsm example:

The `mc_periph_init.h` header file provides several macros that configure motor control low-level driver.

- `M1_PWM_TIMER, M1_PWM_TIMER_FTM0`—PWM generation timer instance.
- `M1_PWM_FREQ`—the value of this definition sets the PWM frequency.
- `M1_PWM_MODULO`—the value of PWM modulo must correspond with `M1_PWM_FREQ`.
- `M1_FOC_FREQ_VS_PWM_FREQ`—enables you to call the fast loop interrupt at every first, second, third, or n^{th} PWM reload. This is convenient when the PWM frequency must be higher than the maximal fast loop interrupt.
- `M1_FAST_LOOP_FREQ`—the value of this definition sets the speed loop frequency.
- `M1_SLOW_LOOP_FREQ`—the value of this definition sets the slow loop frequency.
- `M1_PWM_MODULO`—the value of slow loop modulo must correspond with `M1_SLOW_LOOP_FREQ`.
- `M1_FAST_LOOP_TS`—the value of fast loop period must correspond with `M1_FAST_LOOP_FREQ`.
- `M1_SLOW_LOOP_TS`—the value of slow loop period must correspond with `M1_SLOW_LOOP_FREQ`.
- `M1_PWM_PAIR_PH[A..C]`—these macros enable a simple assignment of the physical motor phases to the PWM periphery channels (or submodules). Change the order of the motor phases this way.
- `M1_PWM_DEADTIME_ENABLE`—enables PWM dead time insertion.
- `M1_PWM_DEADTIME_LENGTH_DTPTS`—PWM dead time length (prescaler part).
- `M1_PWM_DEADTIME_LENGTH_DTVAL`—PWM dead time length (value part).
- `M1_FAULT_ENABLE`—enables PWM fault input.
- `M1_FAULT_NUM`—PWM fault input number.
- `M1_FAULT_POL`—PWM fault input polarity (0 = active high).
- `M1_FAULT_CMP_ENABLE`—PWM fault input taken from CMP output.
- `M1_FAULT_CMP_INSTANCE`—CMP instance used for fault detection.
- `M1_FAULT_CMP_THRESHOLD`—CMP instance used for fault detection.
- `M1_BRAKE_SET, M1_BRAKE_CLEAR`—macros that control the braking resistor GPIO.
- `M1_PWM_POL_TOP, M1_PWM_POL_BOTTOM`—inverter high-side and low-side polarity.
- `M1_SEC[1-6]_PH[A..C]_[BASE, CHANNEL]`—these macros are used to assign the ADC channels for the phase current measurement. The general rule is that at least one of the phase currents must be measurable on both ADC converters and the two

remaining phase currents must be measurable on different ADC converters. The reason for this is that the selection of the phase current pair to measure depends on the current SVM sector. For more information about the 3-phase current measurement, see *Sensorless PMSM Field-Oriented Control* (document [DRM148](#)).

- `M1_[UDCB, AUX]_[BASE, CHANNEL]`—these macros are used to assign the ADC channels for the DC bus voltage and Auxiliary channel assignment. The general rule is that each quantity must be measured on different ADC instance.
- `ADC0_MUXSEL, ADC1_MUXSEL`—switches ADC muxed channels.
- `ADC_OFFSET_WINDOW`—ADC filter window during phase current offset calibration.
- `PDB_PRETRIG_DELAY`—PDB pre-trigger delay, should be set to half of the PWM dead time value.
- `M1_INRUSH_ENABLE`—enables inrush relay .
- `M1_INRUSH_DELAY`—inrush relay switch delay.
- `M1_INRUSH_SET(), M1_INRUSH_CLEAR()`—macros that control the inrush relay GPIO.

In the `mc_pmsm` example, these API-serving ADC and PWM peripherals are available:

- The available APIs for the ADC are:
 - `void M1_MCDRV_CURR_3PH_CHAN_ASSIGN(mcdrv_adc_t*)`—this function assigns ADC instances and channels to the phase-currents and prepares for next measurement.
 - `void M1_MCDRV_CURR_3PH_CALIB_INIT(mcdrv_adc_t*)`—this function initializes the phase-current channel-offset measurement.
 - `void M1_MCDRV_CURR_3PH_CALIB(mcdrv_adc_t*)`—this function reads the current information from the unpowered phases of a stand-still motor and filters them using moving average filters. The goal is to obtain the value of the measurement offset. The length of the window for moving the average filters is set to eight samples by default.
 - `void M1_MCDRV_CURR_3PH_CALIB_SET(mcdrv_adc_t*)`—this function asserts the phase-current measurement offset values to the internal registers. Call this function after a sufficient number of `M1_MCDRV_CURR_3PH_CALIB()` calls.
 - `void M1_MCDRV_ADC_GET(mcdrv_adc_t*)`—this function reads and calculates the actual values of the 3-phase currents, DC-bus voltage, and auxiliary quantity.
- The available APIs for the PWM are:
 - `mcdrv_pwm3ph_t`—MCDRV PWM structure data type.
 - `void M1_MCDRV_PWM3PH_SET(mcdrv_pwm3ph_t*)`—this function updates the PWM phase duty cycles.
 - `void M1_MCDRV_PWM3PH_EN(mcdrv_pwm3ph_t*)`—calling this function enables all PWM channels.
 - `void M1_MCDRV_PWM3PH_DIS (mcdrv_pwm3ph_t*)`—calling this function disables all PWM channels.
 - `void M1_MCDRV_PWM3PH_FLT_GET(mcdrv_pwm3ph_t*)`—this function returns the state of the over-current fault flags and automatically clears the flags (if set). This function returns true when an over-current event occurs. Otherwise, it returns false.

9 User interface

The application contains the demo mode to demonstrate motor rotation. You can operate it either using the user button or using FreeMASTER. The NXP EVK boards include a user button associated with a port interrupt (generated whenever one of the buttons is pressed). At the beginning of the ISR, a simple logic executes and the interrupt flag clears. When you press the button, the demo mode starts. When you press the same button again, the application stops and transitions back to the STOP state.

The other way to interact with the demo mode is to use the FreeMASTER tool. The FreeMASTER application consists of two parts: the PC application used for variable visualization and the set of software drivers running in the embedded application. Data is transferred between the PC and the embedded application via the serial interface. This interface is provided by the OpenSDA debugger included in the boards.

The application can be controlled the using these two interfaces:

- The button on the development board (controlling the demo mode):

Table 6. Control button assignment

| Board | Control button | LED state indication |
|-----------|----------------|----------------------|
| HVP-KV31F | - | D20 |

- Remote control using FreeMASTER (chapter [Section 10](#)):
 - Using the Motor Control Application Tuning (MCAT) interface in the “Control Structure” tab or the “Application control” tab (controlling the demo mode).
 - Setting a variable in the FreeMASTER Variable Watch.

10 Remote control using FreeMASTER

This section provides information about the tools and recommended procedures to control the sensor/sensorless PMSM Field-Oriented Control (FOC) application using FreeMASTER. The application contains the embedded-side driver of the FreeMASTER real-time debug monitor and data visualization tool for communication with the PC. It supports non-intrusive monitoring, as well as the modification of target variables in real time, which is very useful for the algorithm tuning. Besides the target-side driver, the FreeMASTER tool requires the installation of the PC application as well. You can download FreeMASTER 3.0 at www.nxp.com/freemaster. To run the FreeMASTER application including the MCAT tool, double-click the *pmsm_float_enc.pmp* file located in the *pack_motor_imxrt1xxx\middleware\motor_control\freemaster* folder. The FreeMASTER application starts and the environment is created automatically, as defined in the *.pmp file.

Note: In MCUXpresso can be FreeMASTER application run directly from IDE in *motor_control/freemaster* folder

10.1 Establishing FreeMASTER communication

The remote operation is provided by FreeMASTER via the USB interface. Perform the following steps to control a PMSM motor using FreeMASTER:

1. Download the project from your chosen IDE to the MCU and run it.
2. Open the FreeMASTER file *pmsm_x.pmp*. The PMSM project uses the TSA by default, so it is not necessary to select a symbol file for FreeMASTER.
3. Click the communication button (the green “GO” button in the top left-hand corner) to establish the communication.

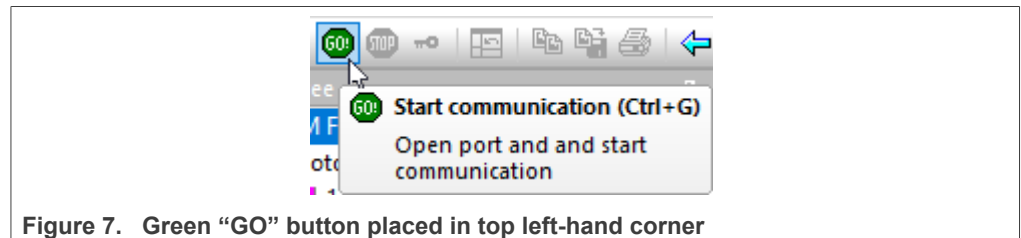


Figure 7. Green “GO” button placed in top left-hand corner

4. If the communication is established successfully, the FreeMASTER communication status in the bottom right-hand corner changes from “Not connected” to “RS232 UART Communication; COMxx; speed=115200”. Otherwise, the FreeMASTER warning popup window appears.



Figure 8. FreeMASTER—communication is established successfully

5. Press *F5* to reload the MCAT HTML page and check the App ID.
6. Control the PMSM motor by writing to a control variables in a variable watch.
7. If you rebuild and download the new code to the target, turn the FreeMASTER application off and on.

If the communication is not established successfully, perform the following steps:

1. Go to the “Project -> Options -> Comm” tab and make sure that the correct COM port is selected and the communication speed is set to 115200 bps.

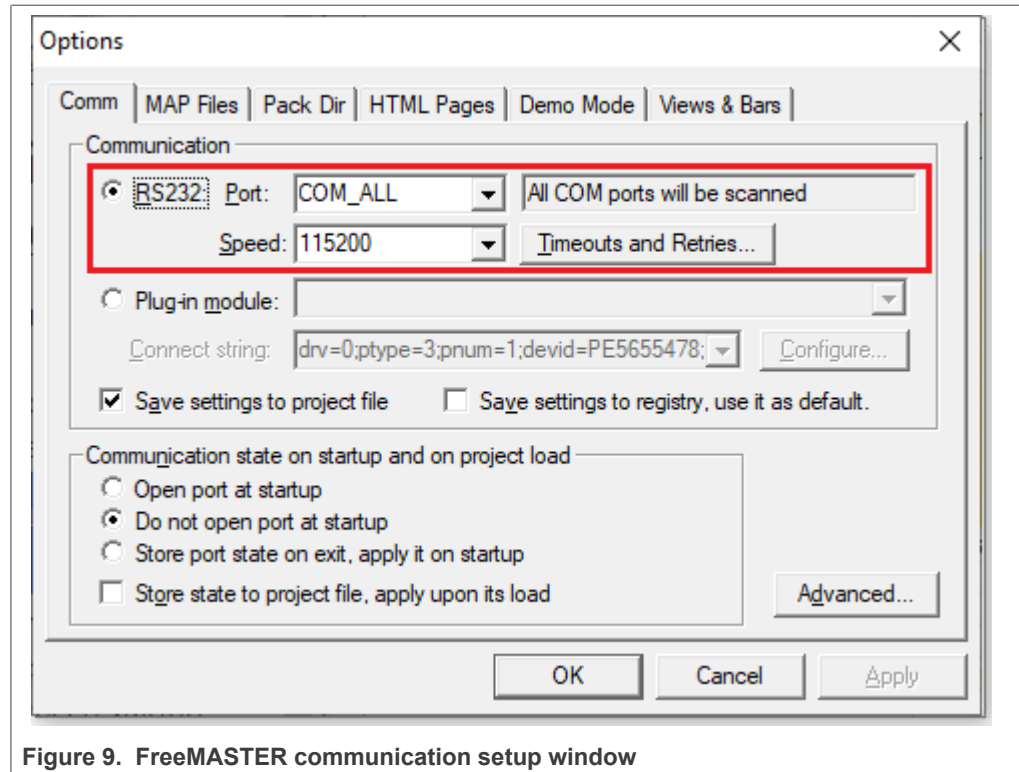


Figure 9. FreeMASTER communication setup window

2. Ensure, that your computer is communicating with the plugged board. Unplug and then plug in the USB cable and reopen the FreeMASTER project.

10.2 TSA replacement with ELF file

The Freemaster project for motor control example uses Target-Side Addressing (TSA) information about variable objects and types to be retrieved from the target application by default. With the TSA feature, you can describe the data types and variables directly in the application source code and make this information available to the FreeMASTER tool. The tool can then use this information instead of reading symbol data from the application’s ELF/Dwarf executable file.

FreeMASTER reads the TSA tables and uses the information automatically when an MCU board is connected. A great benefit of using the TSA are no issues with correct path to ELF/Dwarf file. The variables described by TSA tables may be read-only, so even if FreeMASTER attempts to write the variable, the value is actively denied by the target MCU side. The variables not described by any TSA tables may also become invisible and protected even for read-only access.

The use of TSA means more memory requirements for the target. If you don't want to use the TSA feature, you need to modify the example code and Freemaster project. Follow these steps:

- Open motor control project and rewrite macro FMSTR_USE_TSA from 1 to 0 in freemaster_cfg.h file.
- Build, download and run motor control project
- Open FreeMASTER project and click to Project → Options (or use shortcut Ctrl+T)
- Click to MAP Files tab and find Default symbol file (ELF/Dwarf executable file) located in IDE Output folder

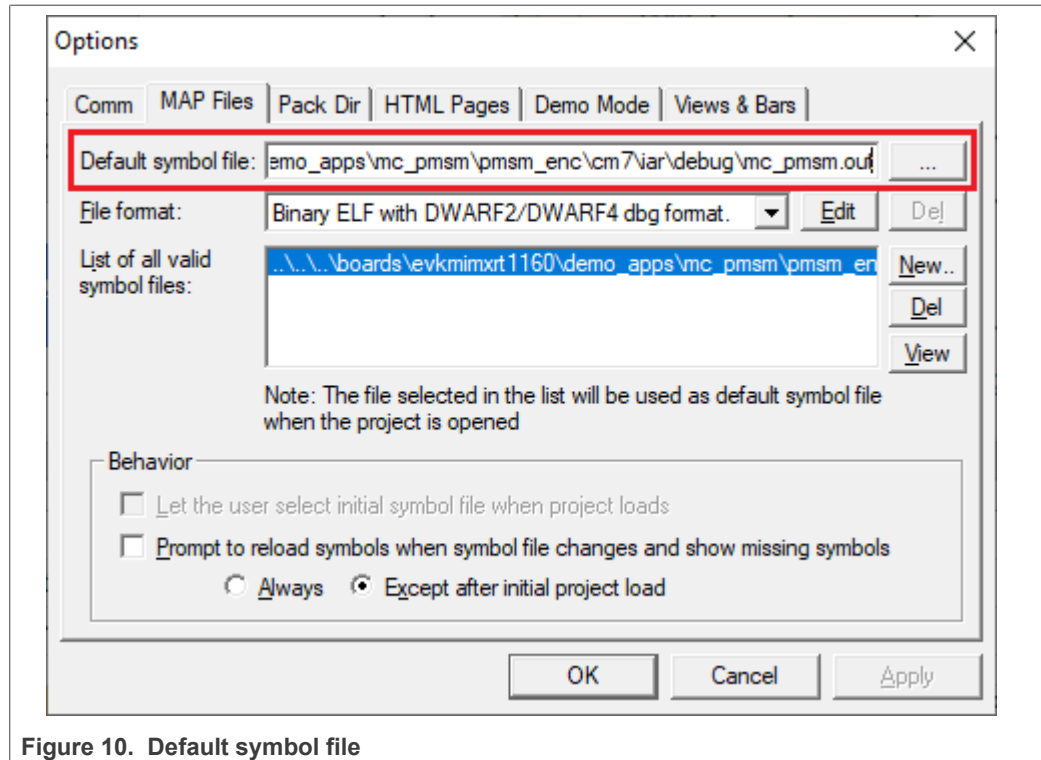


Figure 10. Default symbol file

- Click to OK and restart FreeMASTER communication.

For more information check [FreeMASTER User Guide](#)

10.3 MCAT FreeMASTER interface (Motor Control Application Tuning)

The PMSM sensor/sensorless FOC application can be easily controlled and tuned using the Motor Control Application Tuning (MCAT) plug-in for PMSM. The MCAT for PMSM is a user-friendly page, which runs within FreeMASTER. The tool consists of the tab menu, and workspace shown in [Figure 11](#). Each tab from the tab menu represents one sub-module which enables tuning or control different aspects of the application. Besides the MCAT page for PMSM, several scopes, recorders, and variables in the project tree are predefined in the FreeMASTER project file to further simplify the motor parameter tuning and debugging.

When the FreeMASTER is not connected to the target, the “Board found” line (2) shows “Board ID not found”. When the communication with the target MCU is established, the “Board found” line is read from *Board ID* variable watch and displayed. If the connection is established and the board ID is not shown, press *F5* to reload the MCAT HTML page.

There are three action buttons in MCAT(3):

- **Load data** - MCAT input fields (e.g. motor parameters) are loaded from `mX_pmsm_appconfig.h` file (JSON formatted comments). Only existing `mX_pmsm_appconfig.h` files can be selected for loading. Actually loaded `mX_pmsm_appconfig.h` file is displayed in grey field (7).
- **Save data** - MCAT input fields (JSON formatted comments) and output macros are saved to `mX_pmsm_appconfig.h` file. Up to 9 files (`m1-9_pmsm_appconfig.h`) can be selected. A pop up window with user motor ID and description appears when a different `mX_pmsm_appconfig.h` file is selected. The motor ID and description is also saved in

MCUXpresso SDK Field-Oriented Control (FOC) of 3-Phase PMSM and BLDC motors

mX_pmsm_appconfig.h in form of JSON comment. At single motor control application the embedded code #includes m1_pmsm_appconfig.h only. Therefore, saving to higher indexed mX_pmsm_appconfig.h files has no effect at compilation stage.

- **Update target** - writes the MCAT calculated tuning parameters to FreeMASTER Variables which effectively updates the values on target MCU. These tuning parameters are updated in MCU's RAM memory. To write these tuning parameters to MCU's flash memory, m1_pmsm_appconfig.h must be saved, code re-compiled and downloaded to MCU.

Note: Path to mX_pmsm_appconfig.h file composes also from Board ID value. Therefore, FreeMASTER must be connected to target and Board ID value read prior using Save/Load buttons.

Note: Only **Update target** button updates values on target in real-time. Load/Save buttons operate with mX_pmsm_appconfig.h file only.

Note: MCAT may require internet connection. If no internet connection is available, CSS and icons may not be properly loaded.

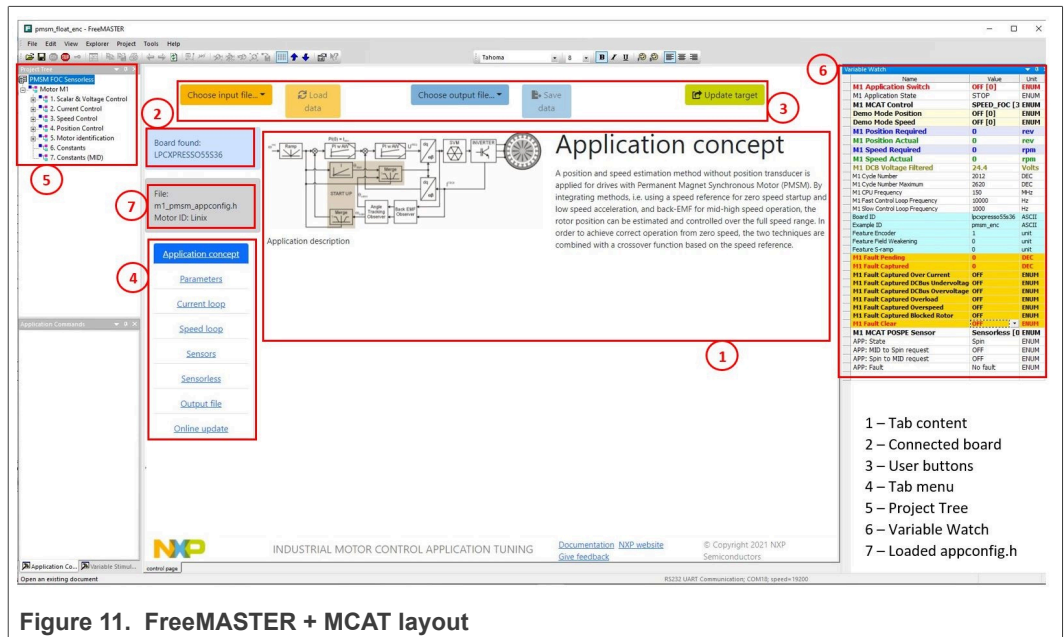


Figure 11. FreeMASTER + MCAT layout

In the default configuration, the following tabs are available:

- “Application concept”—welcome page with the PMSM sensor/sensorless FOC diagram and a short description of the application.
- “Parameters”—this page enables you to modify the motor parameters, specification of hardware and application scales, alignment, and fault limits.
- “Current loop”—current loop PI controller gains and output limits.
- “Speed loop”—this tab contains fields for the specification of the speed controller proportional and integral gains, as well as the output limits and parameters of the speed ramp. The position proportional controller constant is also set here.
- “Sensors”—this page contains the encoder parameters and position observer parameters. Not available for all devices.
- “Sensorless”—this page enables you to tune the parameters of the BEMF observer, tracking observer, and open-loop startup.

- "Output file"—this tab shows all the calculated constants that are required by the PMSM sensor/sensorless FOC application. It is also possible to generate the *m1_pmsm_appconfig.h* file, which is then used to preset all application parameters permanently at the project rebuild.
- "Online update" — this tab shows actual values of variables on target and new calculated values, which can be used for update variables on the target.

The following sections provide simple instructions on how to identify the parameters of a connected PMSM motor and how to appropriately tune the application.

10.3.1 MCAT tabs' description

This chapter describes MCAT input parameters and equations used to calculate MCAT output (generated) parameters. In the default configuration, the below described tabs are available. Some tabs may be missing if not supported in the embedded code. There are general constants used at MCAT calculations listed in the following table:

Table 7. Constants used in equations

| Constant | Value | Unit |
|------------------|---------|------|
| UmaxCoeff | 1.73205 | - |
| DiscMethodFactor | 1 | - |
| k_factor | 100 | - |
| pi | 3.1416 | - |

10.3.1.1 Application concept

This tab is a welcome page with the PMSM sensor/sensorless FOC diagram and a short description of the application.

10.3.1.2 Parameters

This tab enables modification of motor parameters, specification of hardware and application scales, alignment, and fault limits. All inputs are described in the following table. *MCAT group* and *MCAT name* helps to locate the parameter in MCAT layout. *Equation name* represents the input parameter in equations below.

Table 8. Parameters tab inputs

| MCAT group | MCAT name | Equation name | Description | Unit |
|------------------|-----------|---------------|----------------------------------------------------------------------------------------------------------------------------------|------|
| Motor parameters | PP | Pp | Motor number of pole-pairs. Obtain from motor manufacturer or use the pole-pair assistant to determine and then fill manually. | - |
| | Rs | Rs | Stator phase resistance. Obtain from motor manufacturer or use the electrical parameters identification and then fill manually. | [Ω] |
| | Ld | Ld | Stator direct inductance. Obtain from motor manufacturer or use the electrical parameters identification and then fill manually. | [H] |

Table 8. Parameters tab inputs...continued

| MCAT group | MCAT name | Equation name | Description | Unit |
|-----------------|-------------|-----------------------|-----------------------------------------------------------------------------------------------------------------------------------------------------------------------------------------------------------------------------------------------------------------|-------------|
| | Lq | Lq | Stator quadrature inductance. Obtain from motor manufacturer or use the electrical parameters identification and then fill manually. | [H] |
| | Ke | Ke | Motor electrical constant. Obtain from motor manufacturer or use the Ke identification and then fill manually. | [V.sec/rad] |
| | J | J | Drive inertia (motor + plant). Use the mechanical identification and then fill manually. | [kg.m2] |
| | Iph nom | IphNom | Nominal motor current. Obtain from motor manufacturer. | [A] |
| | Uph nom | UphNom | Nominal motor voltage. Obtain from motor manufacturer. | [V] |
| | N nom | Nnom | Nominal motor speed. Obtain from motor manufacturer. | [rpm] |
| Hardware scales | I max | I _{max} | Current sensing HW scale. Keep as-is in case of standard NXP HW or recalculate according to own schematic. | [A] |
| | U DCB max | U _{dcbMax} | DCBus voltage sensing HW scale. Keep as-is in case of standard NXP HW or recalculate according to own schematic. | [V] |
| Fault limits | U DCB trip | U _{dcbTrip} | DCBus braking resistor threshold. Braking resistor's transistor is turned on when DCbus voltage exceeds this threshold. | [V] |
| | U DCB under | U _{dcbUnder} | DCBus under voltage fault threshold | [V] |
| | U DCB over | U _{dcbOver} | DCBus over voltage fault threshold | [V] |
| | N over | N _{over} | Over speed fault threshold | [rpm] |
| | N min | N _{min} | Minimal closed loop speed. When the required speed ramps down under this threshold the motor control state machine goes to freewheel state where top and bottom transistors are turned off and motor speeds down freely. Applies only for sensorless operation. | [rpm] |

Table 8. Parameters tab inputs...continued

| MCAT group | MCAT name | Equation name | Description | Unit |
|--------------------|----------------------|-------------------|--------------------------------------------------------------------------------------------------------------------------------------------------------------------------|-------|
| | E block | Eblock | Blocked rotor detection. When Bemf voltage drops under <i>E block</i> threshold for more than <i>E block per</i> (fast loop ticks), the blocked rotor fault is detected. | [V] |
| | E block per | EblockPer | | - |
| Application scales | N max | Nmax | Application speed scale. Keep about 10% margin above <i>N over</i> . | [rpm] |
| | U DCB IIR F0 | UdcbIIRf0 | Cut-off frequency of DCBus IIR filter | [Hz] |
| | Calibration duration | CalibDuration | ADC (phase current offset) calibration duration. Done every time transitioning from STOP to RUN. | [sec] |
| | Fault duration | FaultDuration | After fault condition disappears wait defined time to clear pending faults bitfield and transition to STOP state. | [sec] |
| | Freewheel duration | FreewheelDuration | Free-wheel state duration. Freewheel state in entered when ramped speed drops under <i>N min</i> . | [sec] |
| | Scalar Uq min | ScalarUqMin | Scalar control voltage minimal value. | [V] |
| Alignment | Align voltage | AlignVoltage | Motor alignment voltage. | [V] |
| | Align duration | AlignDuration | Motor alignment duration. | [sec] |

Output equations (applies for saving to mX_pmsm_appconfig.h and also for updating a corresponding FreeMASTER variables):

```

M1_U_MAX = UdcbMax / UmaxCoeff;
M1_FREQ_MAX = Nmax / 60 * Pp;
M1_ALIGN_DURATION = AlignDuration / speedLoopSampleTime;
M1_CALIB_DURATION = CalibDuration / speedLoopSampleTime;
M1_FAULT_DURATION = FaultDuration / speedLoopSampleTime;
M1_FREEWHEEL_DURATION = FreewheelDuration / speedLoopSampleTime;
M1_E_BLOCK_PER = EblockPer;
M1_SPEED_ANGULAR_SCALE = 60 / (Pp * 2 * pi);
M1_N_MIN = Nmin / 60 * (Pp * 2 * pi);
M1_N_MAX = Nmax / 60 * (Pp * 2 * pi);
M1_N_ANGULAR_MAX = (60 / (Pp * 2 * pi));
M1_N_NOM = Nnom / 60 * (Pp * 2 * pi);
M1_N_OVERSPEED = Nover / 60 * (Pp * 2 * pi);
    
```

```

M1_UDCB_IIR_B0 = (2 * pi * UdcblIRf0 * currentLoopSampleTime) / (2 + (2 * pi *
UdcblIRf0 * currentLoopSampleTime));
M1_UDCB_IIR_B1 = (2 * pi * UdcblIRf0 * currentLoopSampleTime) / (2 + (2 * pi *
UdcblIRf0 * currentLoopSampleTime));
M1_UDCB_IIR_A1 = -(2 * pi * UdcblIRf0 * currentLoopSampleTime - 2) / (2 + (2 * pi *
UdcblIRf0 * currentLoopSampleTime));
M1_SCALAR_VHZ_FACTOR_GAIN = UphNom*k_factor/100/(Nnom*Pp/60);
M1_SCALAR_INTEG_GAIN = 2*pi*Pp*Nmax/60*currentLoopSampleTime/pi;
M1_SCALAR_RAMP_UP = speedLoopIncUp*currentLoopSampleTime/60*Pp;
M1_SCALAR_RAMP_DOWN = speedLoopIncDown*currentLoopSampleTime/60*Pp;
    
```

10.3.1.3 Current loop

This tab enables current loop PI controller gains and output limits tuning. All inputs are described in the following table. *MCAT group* and *MCAT name* helps to locate the parameter in MCAT layout. *Equation name* represents the input parameter in equations below.

Table 9. Current loop tab input

| MCAT group | MCAT name | Equation name | Description | Unit |
|------------------------------|--------------|------------------------|----------------------------------------------------------------------------------------------------------------------------------------------------------------------------------------------------------------------------------------------------------------|-------|
| Loop parameters | Sample time | currentLoopSampleTime | Fast control loop period. This disabled value is read from target via FreeMASTER because application timing is set in embedded code by peripherals setting. This value is accessible only if target is not connected and value cannot be obtained from target. | [sec] |
| | F0 | currentLoopF0 | Current controller's bandwidth | [Hz] |
| | ξ | currentLoopKsi | Current controller's attenuation | - |
| Current PI controller limits | Output limit | currentLoopOutputLimit | Current controllers' output voltage limit = Duty cycle limit. Be careful setting this limit above 95% because it affects current sensing (Some minimal bottom transistors on time is required). | [%] |

Output equations (applies for saving to mX_pmsm_appconfig.h and also for updating a corresponding FreeMASTER variables):

```

M1_CLOOP_LIMIT = currentLoopOutputLimit / UmaxCoeff / 100;
M1_D_KP_GAIN = (2 * currentLoopKsi * 2 * pi * currentLoopF0 * Ld) - Rs;
M1_D_KI_GAIN = (2 * pi * currentLoopF0)^2 * Ld * currentLoopSampleTime /
DiscMethodFactor;
M1_Q_KP_GAIN = (2 * currentLoopKsi * 2 * pi * currentLoopF0 * Lq) - Rs;
M1_Q_KI_GAIN = (2 * pi * currentLoopF0)^2 * Lq * currentLoopSampleTime /
DiscMethodFactor;
    
```

10.3.1.4 Speed loop

This tab enables speed loop PI controller gains and output limits tuning, required speed ramp parameters, feedback speed filter tuning, and position P controller gain tuning (available at sensored/encoder applications only). *MCAT group* and *MCAT name* helps to locate the parameter in MCAT layout. *Equation name* represents the input parameter in equations below.

Table 10. Speed loop tab input

| MCAT group | MCAT name | Equation name | Description | Unit |
|--------------------------------|--------------|---------------------|----------------------------------------------------------------------------------------------------------------------------------------------------------------------------------------------------------------------------------------------------------------|-----------|
| Loop parameters | Sample time | speedLoopSampleTime | Slow control loop period. This disabled value is read from target via FreeMASTER because application timing is set in embedded code by peripherals setting. This value is accessible only if target is not connected and value cannot be obtained from target. | [sec] |
| | F0 | speedLoopF0 | Speed controller's bandwidth | [Hz] |
| | ξ | speedLoopKsi | Speed controller's attenuation | - |
| Speed ramp | Inc up | speedLoopIncUp | Required speed maximal acceleration | [rpm/sec] |
| | Inc down | speedLoopIncDown | Required speed maximal deceleration | [rpm/sec] |
| Actual speed filter | Cut-off freq | speedLoopCutOffFreq | Speed feedback (before entering PI subtraction) filter bandwidth. | [Hz] |
| Speed PI controller limits | Upper limit | speedLoopUpperLimit | Maximal required Q-axis current (Speed controller's output). Q-axis current limitation equals to motor torque limitation. | [A] |
| | Lower limit | speedLoopLowerLimit | Minimal required Q-axis current (Speed controller's output). Q-axis current limitation equals to motor torque limitation. | [A] |
| Position P controller constans | PL_Kp | speedLoopPLKp | Position controller proportional constant in time domain. | |

Output equations (applies for saving to mX_pmsm_appconfig.h and also for updating a corresponding FreeMASTER variables):

$$\text{varKt} = 3 * \text{Ke} / (\text{sqrt}(3));$$

$$\text{M1_SPEED_PI_PROP_GAIN} = (2 * \text{pi} / 60 * (4 * \text{speedLoopKsi} * \text{pi} * \text{speedLoopF0}) * \text{J} / \text{varKt});$$

$$\text{M1_SPEED_PI_INTEG_GAIN} = (2 * \text{pi} / 60 * ((2 * \text{pi} * \text{speedLoopF0}) * (2 * \text{pi} * \text{speedLoopF0}) * \text{J}) / (\text{varKt} * 10) * \text{speedLoopSampleTime});$$

$$\text{M1_SPEED_RAMP_UP} = (\text{speedLoopIncUp} * \text{speedLoopSampleTime} / (60 / (\text{Pp} * 2 * \text{pi})));$$

$$M1_SPEED_RAMP_DOWN = (\text{speedLoopIncDown} * \text{speedLoopSampleTime} / (60 / (\text{Pp} * 2 * \pi)));$$

$$M1_SPEED_IIR_B0 = (2 * \pi * \text{speedLoopCutOffFreq} * \text{currentLoopSampleTime}) / (2 + (2 * \pi * \text{speedLoopCutOffFreq} * \text{currentLoopSampleTime}));$$

$$M1_SPEED_IIR_B1 = (2 * \pi * \text{speedLoopCutOffFreq} * \text{currentLoopSampleTime}) / (2 + (2 * \pi * \text{speedLoopCutOffFreq} * \text{currentLoopSampleTime}));$$

$$M1_SPEED_IIR_A1 = -(2 * \pi * \text{speedLoopCutOffFreq} * \text{currentLoopSampleTime} - 2) / (2 + (2 * \pi * \text{speedLoopCutOffFreq} * \text{currentLoopSampleTime}));$$

10.3.1.5 Sensors

Available at sensed (encoder) applications only. This tab enables setting the encoder properties and tuning encoder's tracking observer. *MCAT group* and *MCAT name* helps to locate the parameter in MCAT layout. *Equation name* represents the input parameter in equations below.

Table 11. Sensors tab input

| MCAT group | MCAT name | Equation name | Description | Unit |
|------------------------------|---------------|--------------------------|----------------------------------------------------------------------------------------------------------------------------------------------------------------------------------------------------------------------------------------------------------------------------|----------|
| Quadrature encoder | Pulse number | sensorEncPulseNumber | Number of quadrature encoder pulses. Obtain this value from encoder manufacturer OR estimate based on speed/ position comparison of Scalar controlled application with encoder processing running on background. | [pulses] |
| | Direction | sensorEncDir | Encoder direction / Phase A&B order. | - |
| | Minimal speed | sensorEncNmin | Encoder minimal speed. | [rpm] |
| Position observer parameters | Sample time | sensorObsrvParSampleTime | Current control loop sampling period. This disabled value is read from target via Free MASTER because application timing is set in embedded code by peripherals setting. This value is accesible only if target is not connected and value cannot be obtained from target. | [sec] |
| | F0 | sensorObsrvParF0 | Position observer bandwidth | [Hz] |
| | ξ | sensorObsrvParKsi | Position observer attenuation | - |

Output equations (applies for saving to mX_pmsm_appconfig.h and also for updating a corresponding FreeMASTER variables):

$$M1_POSPE_KP_GAIN = (4.0 * \pi * \text{sensorObsrvParKsi} * \text{sensorObsrvParF0});$$

$$M1_POSPE_KI_GAIN = ((2 * \pi * \text{sensorObsrvParF0})^2 * \text{sensorObsrvParSampleTime});$$

$$M1_POSPE_INTEG_GAIN = (\text{sensorObsrvParSampleTime} / \pi / \text{DiscMethodFactor});$$

$$M1_POSPE_ENC_N_MIN = \text{sensorEncNmin};$$

$$M1_POSPE_MECH_POS_GAIN = (32768 / ((\text{sensorEncPulseNumber} * 4) / 2));$$

10.3.1.6 Sensorless

This tab enables Bemf observer and Tracking observer parameters tuning and open-loop startup tuning. *MCAT group* and *MCAT name* helps to locate the parameter in MCAT layout. *Equation name* represents the input parameter in equations below.

Table 12. Sensorless tab input

| MCAT group | MCAT name | Equation name | Description | Unit |
|-------------------------------|---------------------|--------------------------|-------------------------------------------------------------------------------|-----------|
| BEMF observer parameters | F0 | sensorlessBemfObsrvF0 | BEMF observer bandwidth | [Hz] |
| | ξ | sensorlessBemfObsrvKsi | BEMF observer attenuation | - |
| Tracking observer parameters | F0 | sensorlessTrackObsrvF0 | Tracking observer bandwidth | [Hz] |
| | ξ | sensorlessTrackObsrvKsi | Tracking observer attenuation | - |
| Open loop start-up parameters | Start-up ramp | sensorlessStartupRamp | Open loop startup ramp | [rpm/sec] |
| | Start-up current | sensorlessStartupCurrent | Open loop startup current | [A] |
| | Merging Speed | sensorlessMergingSpeed | Merging speed | [rpm] |
| | Merging Coefficient | sensorlessMergingCoeff | Merging coefficient (100% = merging is done within one electrical revolution) | [%] |

Output equations (applies for saving to mX_pmsm_appconfig.h and also for updating a corresponding FreeMASTER variables):

```

M1_I_SCALE = (Ld / (Ld + currentLoopSampleTime * Rs));
M1_U_SCALE = (currentLoopSampleTime / (Ld + currentLoopSampleTime * Rs));
M1_E_SCALE = (currentLoopSampleTime / (Ld + currentLoopSampleTime * Rs)) ;
M1_WI_SCALE = (Lq * currentLoopSampleTime / (Ld + currentLoopSampleTime * Rs));
M1_BEMF_DQ_KP_GAIN = ((2 * sensorlessBemfObsrvKsi * 2 * pi *
sensorlessBemfObsrvF0 * Ld - Rs));
M1_BEMF_DQ_KI_GAIN = (Ld * (2 * pi * sensorlessBemfObsrvF0)^ 2 *
currentLoopSampleTime);
M1_TO_KP_GAIN = 2 * sensorlessTrackObsrvKsi * 2 * pi * sensorlessTrackObsrvF0;
M1_TO_KI_GAIN = ((2 * pi * sensorlessTrackObsrvF0)^ 2) * currentLoopSampleTime;
M1_TO_THETA_GAIN = (currentLoopSampleTime / pi);
M1_OL_START_RAMP_INC = (sensorlessStartupRamp * currentLoopSampleTime /
(60 / (Pp * 2 * pi)));
M1_MERG_SPEED_TRH = (sensorlessMergingSpeed / (60 / (Pp * 2 * pi)));
M1_MERG_COEFF = ((sensorlessMergingCoeff / 100) * (60 / (Pp *
sensorlessMergingSpeed))) / currentLoopSampleTime / 2 / 32768);
TO_IIR_cutoff_freq = 1 / (2 * speedLoopSampleTime) * 0.8;
M1_TO_SPEED_IIR_B0 = (2 * pi * TO_IIR_cutoff_freq * currentLoopSampleTime) / (2 +
(2 * pi * TO_IIR_cutoff_freq * currentLoopSampleTime));
M1_TO_SPEED_IIR_B1 = (2 * pi * TO_IIR_cutoff_freq * currentLoopSampleTime) / (2 +
(2 * pi * TO_IIR_cutoff_freq * currentLoopSampleTime));
    
```

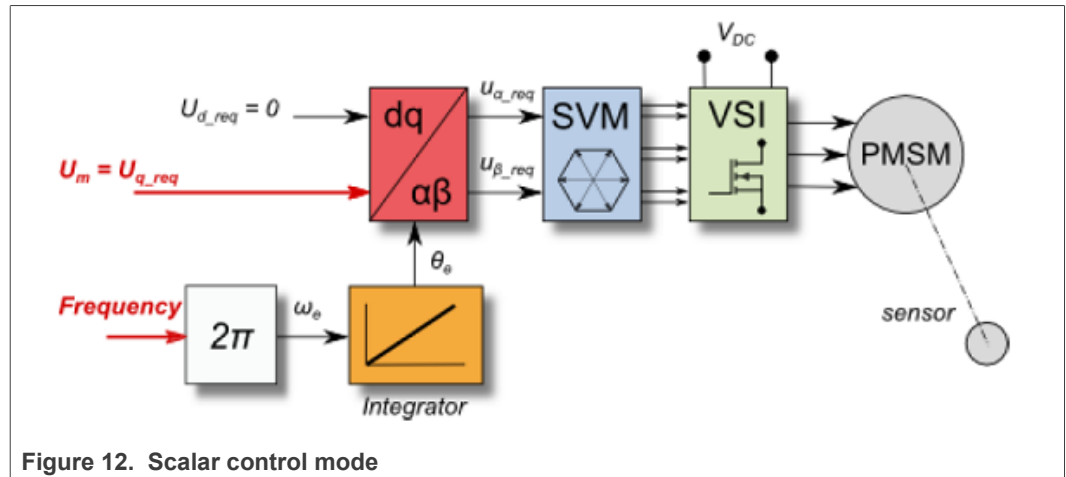
$$M1_TO_SPEED_IIR_A1 = -(2 * \pi * TO_IIR_cutoff_freq * currentLoopSampleTime - 2) / (2 + (2 * \pi * TO_IIR_cutoff_freq * currentLoopSampleTime));$$

10.4 Motor Control Modes

In the "Project Tree" you can choose between the scalar control and the FOC control using the appropriate FreeMASTER tabs. The application can be controlled through the FreeMASTER variables watch which correspond to the control structure selected in FreeMASTER project tree. This is useful for application tuning and debugging. Required control structure must be selected in the "M1 MCAT Control" variable. Then use "M1 Application Switch" variable to turn on or off the application. Set/clear "M1 Application Switch" variable also enables/disables all PWM channels.

10.4.1 Control structure

The scalar control diagram is shown in figure below. It is the simplest type of motor-control techniques. The ratio between the magnitude of the stator voltage and the frequency must be kept at the nominal value. Hence, the control method is sometimes called Volt per Hertz (or V/Hz). The position estimation BEMF observer and tracking observer algorithms (see Sensorless PMSM Field-Oriented Control ([document DRM148](#)) for more information) run in the background, even if the estimated position information is not directly used. This is useful for the BEMF observer tuning.



The block diagram of the voltage FOC is in figure below. Unlike the scalar control, the position feedback is closed using the BEMF observer and the stator voltage magnitude is not dependent on the motor speed. Both the d-axis and q-axis stator voltages can be specified in the "M1 MCAT Ud Required" and "M1 MCAT Uq Required" fields. This control method is useful for the BEMF observer functionality check.

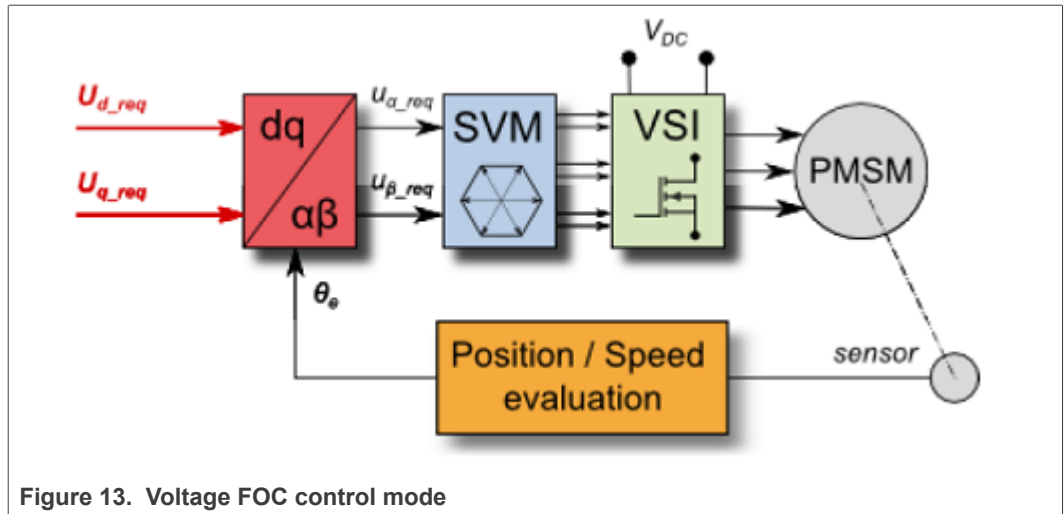


Figure 13. Voltage FOC control mode

The current FOC (or torque) control requires the rotor position feedback and the currents transformed into a d-q reference frame. There are two reference variables (“M1 MCAT Id Required” and “M1 MCAT Iq Required”) available for the motor control, as shown in the block diagram in figure below. The d-axis current component "M1 MCAT Id Required" is responsible for the rotor flux control. The q-axis current component of the current "M1 MCAT Iq Required" generates torque and, by its application, the motor starts running. By changing the polarity of the current "M1 MCAT Iq Required", the motor changes the direction of rotation. Supposing that the BEMF observer is tuned correctly, the current PI controllers can be tuned using the current FOC control structure.

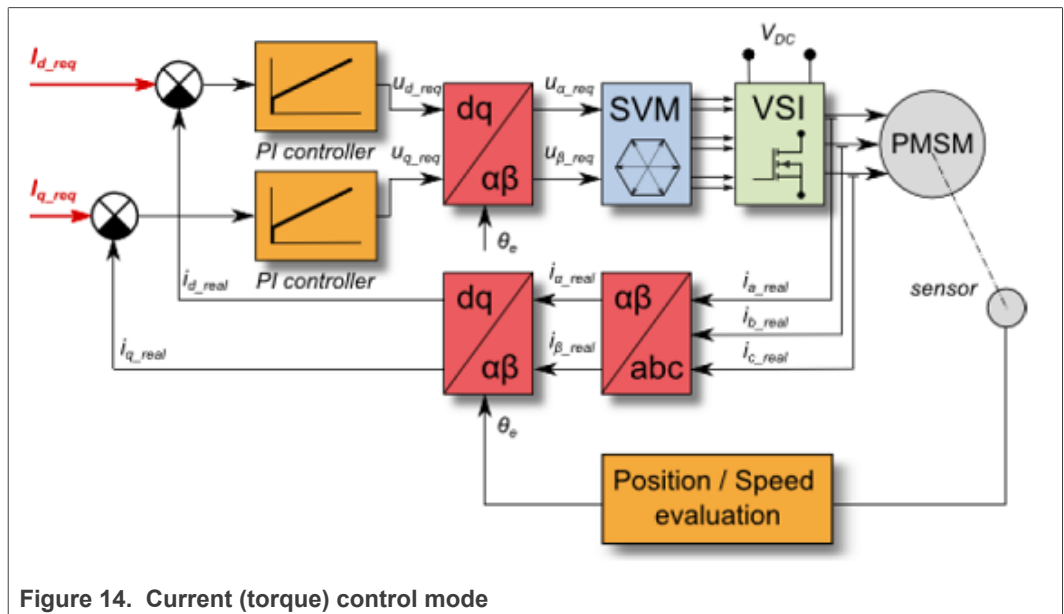
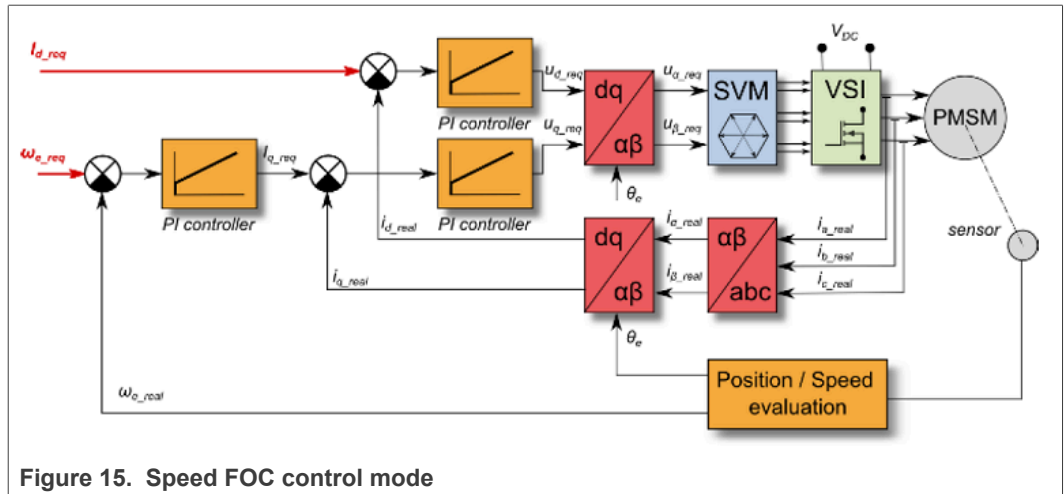
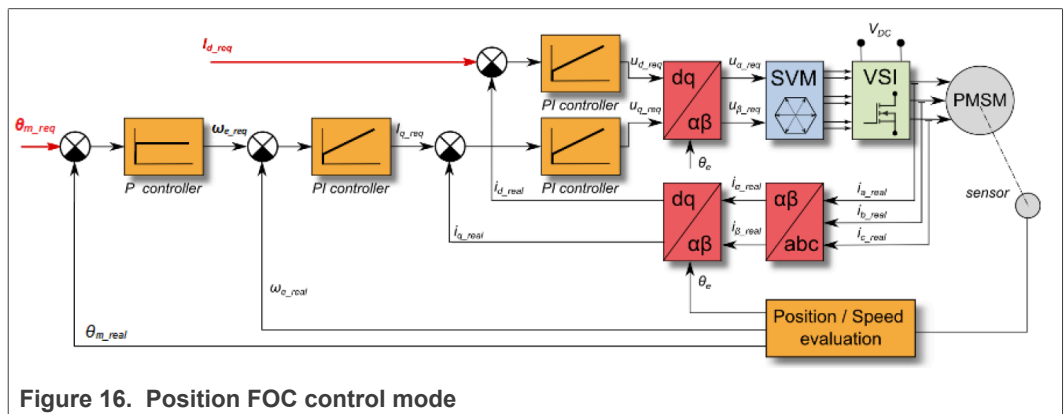


Figure 14. Current (torque) control mode

The speed PMSM sensor/sensorless FOC (its diagram is shown in figure below) is activated by enabling the speed FOC control structure. Enter the required speed into the “M1 Speed Required” field. The d-axis current reference is held at 0 during the entire FOC operation.



The position PMSM sensor FOC is shown in figure below (available for sensed/ encoder based applications only). The position control using the P controller can be tuned in the “Speed loop” menu tab. An encoder sensor is required for the feedback. Without the sensor, the position control does not work. A braking resistor is missing on the FRDM-MC-LVPMSM board. Therefore, it is needed to set a soft speed ramp (in the “Speed loop” menu tab) because the voltage on the DC-bus can rise when braking the quickly spinning shaft. It may cause the overvoltage fault.



10.5 Switch between Spin and MID

User can switch between two modes of application: *Spin* and *MID* (Motor identification). *Spin* mode is used for control PMSM (see Section 10.3). *MID* mode is used for motor parameters identification (see Section 10.6.1). Actual mode of application is shown in *APP: State* variable. The mode is changed by writing one to *APP: MID to Spin request* or *APP: Spin to MID request* variables. The transition between Spin and MID can be done only if actual mode is in a defined stop state (e.g. MID not in progress or motor stopped). The result of the change mode request is shown in *APP: Fault* variable. *MID fault* occurs when parameters identification still runs or MID state machine is in the fault state. *Spin fault* occurs when *M1 Application switch* variable watch is ON or *M1 Application state* variable watch is not STOP.

10.6 Identifying parameters of user motor

Because the model-based control methods of the PMSM drives provide high performance (e.g. dynamic response, efficiency), obtaining an accurate model of a motor is an important part of the drive design and control. For the implemented FOC algorithms, it is necessary to know the value of the stator resistance R_s , direct inductance L_d , quadrature inductance L_q , and BEMF constant K_e . Unless the default PMSM motor described above is used, the motor parameter identification is the first step in the application tuning. This section shows how to identify user motor parameters using MID. MID is written in floating-point arithmetics. Each MID algorithm is described in detail in [Section 10.7](#). MID is controlled via the FreeMASTER "Motor Identification" page shown in [Figure 17](#).

| Name | Value | Unit | Period [ms] |
|---------------------------------------|------------|------------------|-------------|
| MID: Command | STOP | ENUM | 1000 |
| MID: State | STOP | ENUM | 1000 |
| APP: State | MID | ENUM | 1000 |
| APP: MID to Spin request | OFF | ENUM | 1000 |
| APP: Spin to MID request | OFF | ENUM | 1000 |
| APP: Fault | No fault | ENUM | 1000 |
| DIAG: Fault Pending | 0 | DEC | 1000 |
| DIAG: Fault Captured | 0 | DEC | 1000 |
| DIAG: Fault DCBus Overvoltage | OFF | ENUM | 1000 |
| DIAG: Fault DCBus Undervoltage | OFF | ENUM | 1000 |
| DIAG: Fault Over Current | OFF | ENUM | 1000 |
| DIAG: Fault clear | OFF | ENUM | 1000 |
| MID: Faults | b# 0000 | BIN | 1000 |
| MID: Warnings | b# 0000 | BIN | 1000 |
| MID: Measurement Type | PP_ASSIST | ENUM | 1000 |
| MID: Known Param Pp | 1 | pairs | 1000 |
| MID: Known Param Rs | 0 | Ohm | 1000 |
| MID: Known Param Ld | 0 | H | 1000 |
| MID: Known Param Lq | 0 | H | 1000 |
| MID: Known Param Ke | 0 | Vs/rad | 1000 |
| MID: Known Param J | 0 | kgm ² | 1000 |
| MID: Known Param B | 0 | Nms | 1000 |
| MID: Start Result | b# 00 0000 | BIN | 1000 |
| MID: Measured Pp | 1 | pairs | 1000 |
| MID: Measured Rs | 0 | Ohm | 1000 |
| MID: Measured Ld | 0 | H | 1000 |
| MID: Measured Lq | 0 | H | 1000 |
| MID: Measured Ke | 0 | Vs/rad | 1000 |
| MID: Measured J | 0 | kgm ² | 1000 |
| MID: Measured B | 0 | Nms | 1000 |
| MID: Config Pp Id Meas | 0.5 | A | 1000 |
| MID: Config Pp Freq El. Required | 10 | Hz | 1000 |
| MID: Config El Mode Estim RL | Mode 0 | ENUM | 1000 |
| MID: Config El I DC nominal | 5 | A | 1000 |
| MID: Config El I DC positive max | 6 | A | 1000 |
| MID: Config El I DC negative max | -6 | A | 1000 |
| MID: Config El I DC (estim Ld) | 0 | A | 1000 |
| MID: Config El I DC (estim Lq) | 5 | A | 1000 |
| MID: Config El DQ-switch | Ld meas | ENUM | 1000 |
| MID: Config El I DC req (d-axis) | 0 | A | 1000 |
| MID: Config El I DC req (q-axis) | 0 | A | 1000 |
| MID: Config El I AC req | 0 | A | 1000 |
| MID: Config El I AC frequency | 0 | Hz | 1000 |
| MID: Config Ke Id Required | 0.8 | A | 1000 |
| MID: Config Ke Freq El. Required | 20 | Hz | 1000 |
| MID: Config Mech Kt | 0.5 | Nm/A | 1000 |
| MID: Config Mech Iq Startup | 0.3 | A | 1000 |
| MID: Config Mech Merging Coeff. | 100 | % | 1000 |
| MID: Config Mech Iq Accelerate | 0.3 | A | 1000 |
| MID: Config Mech Iq Decelerate | 0.05 | A | 1000 |
| MID: Config Mech Speed Accel. start | 251.327 | rad/s | 1000 |
| MID: Config Mech Speed Integ. start | 251.327 | rad/s | 1000 |
| MID: Config Mech Speed Decel. start | 345.575 | rad/s | 1000 |

Figure 17. MID FreeMASTER control

10.6.1 Motor parameter identification using MID

The whole MID is controlled via the FreeMASTER "Variable Watch". Motor Identification (MID) sub-block shown in [Figure 17](#). The motor parameter identification workflow is following:

1. Set the *MID: Command* variable to STOP.
2. Select the measurement type you want to perform via the *MID: Measurement Type* variable:
 - PP_ASSIST - Pole-pair identification assistant.
 - EL_PARAMS - Electrical parameters measurement.
 - Ke - BEMF constant measurement.
 - MECH_PARAMS - Mechanical parameters measurement.
3. Insert the known motor parameters via the *MID: Known Param* set of variables. All parameters with a non-zero known value are used instead of measured parameters (if necessary).
4. Set the measurement configuration paramers in the *MID: Config* set of variables.
5. Start the measurement by setting *MID: Command* to RUN.
6. Observe the *MID Start Result* variable for the MID measurement plan validity (see [Table 15](#)) and the actual *MID: State*, *MID: Faults* (see [Table 13](#)), and *MID: Warnings* (see [Table 14](#)) variables.
7. If the measurement finishes successfully, the measured motor parameters are shown in the *MID: Measured* set of variables and *MID: State* goes to STOP.

10.6.2 MID faults and warnings

The MID faults and warnings are saved in the format of masks in the *MID: Faults* and *MID: Warnings* variables. Faults and warnings are cleared automatically when starting a new measurement. If a MID fault appears, the measurement process immediately stops and brings the MID state machine safely to the STOP state. If a MID warning appears, the measurement process continues. Warnings report minor issues during the measurement process. See [Table 13](#) and [Table 14](#) for more details on individual faults and warnings.

Table 13. Measurement faults

| Fault mask | Fault description | Fault reason | Troubleshooting |
|------------|------------------------------------------|-------------------------------------------------------------------------------------------------------------|------------------------------------------------------------------------------------------------------|
| b#0001 | Electrical parameters measurement fault. | Some required value cannot be reached or wrong measurement configuration. | Check whether measurement configuration is valid. |
| b#0010 | Mechanical measurement timeout. | Some part of the mechanical measurement (acceleration, deceleration) took too long and exceeded 10 seconds. | Raise the <i>MID: Config Mech Iq Accelerate</i> or lower the <i>MID: Config Mech Iq Decelerate</i> . |

Table 14. Measurement warnings

| Warning mask | Warning description | Warning reason | Troubleshooting |
|--------------|------------------------|---------------------------------|--------------------------------------------------------------------------------------|
| b#0001 | K_e is out of range. | The measured K_e is negative. | Visually check whether the motor was spinning properly during the K_e measurement. |

The MID measurement plan is checked after starting the measurement process. If a necessary parameter is not scheduled for the measurement and not set manually, the MID is not started and an error is reported via the *MID: Start Result* variable.

Table 15. MID Start Result variable

| MID Start Result mask | Description | Troubleshooting |
|-----------------------|----------------------------------------------------------------|--------------------------------------------------------------------|
| b#00 0001 | Error during initialization electrical parameters measurement. | Check whether inputs to the <i>MCAA_EstimRLInit_FLT</i> are valid. |
| b#00 0010 | The R_s value is missing. | Schedule electrical measurement or enter R_s value manually. |
| b#00 0100 | The L_d value is missing. | Schedule electrical measurement or enter L_d value manually. |
| b#00 1000 | The L_q value is missing. | Schedule electrical measurement or enter L_q value manually. |
| b#01 0000 | The K_e value is missing. | Schedule K_e for measurement or enter its value manually. |
| b#10 0000 | The Pp value is missing. | Enter the Pp value manually. |

10.7 MID algorithms

This section describes how each MID algorithm works.

10.7.1 Stator resistance measurement

The stator resistance R_s is averaged from the DC steps, which are generated by the algorithm. The DC step levels are automatically derived from the currents inserted by user. For more details, please, refer to the documentation of *AMCLIB_EstimRL* function from [AMMCLib](#).

10.7.2 Stator inductances measurement

Injection of the AC/DC currents is used for the inductances (L_d , L_q) estimation. Injected AC/DC currents are automatically derived from the currents inserted by user. The default AC current frequency is 500 Hz. For more detail, please, refer to the documentation of *AMCLIB_EstimRL* function from [AMMCLib](#).

10.7.3 BEMF constant measurement

Before the actual BEMF constant K_e measurement, the BEMF and Tracking observers parameters are recalculated from the previously measured or manually set R_s , L_d , and L_q parameters. To measure K_e , the motor must spin. During the measurement, the motor is open-loop driven at the user-defined frequency *MID: Config Ke Freq El. Required* with the user-defined current *MID: Config Ke Id Required* value. When the motor reaches the required speed, the BEMF voltages obtained by the BEMF observer are filtered and K_e is calculated:

$$K_e = \frac{U_{BEMF}}{\omega_{el}} [\Omega]$$

When K_e is being measured, you have to visually check to determine whether the motor is spinning properly. If the motor is not spinning properly, perform these steps:

- Ensure that the number of pp is correct. The required speed for the K_e measurement is also calculated from pp . Therefore, inaccuracy in pp causes inaccuracy in the resulting K_e .
- Increase *MID: Config Ke Id Required* variable to produce higher torque when spinning during the open loop.
- Decrease *MID: Config Ke Freq El. Required* variable to decrease the required speed for the K_e measurement.

10.7.4 Number of pole-pair assistant

The number of pole-pairs cannot be measured without a position sensor. However, there is a simple assistant to determine the number of pole-pairs (PP_ASSIST). The number of the pp assistant performs one electrical revolution, stops for a few seconds, and then repeats. Because the pp value is the ratio between the electrical and mechanical speeds, it can be determined as the number of stops per one mechanical revolution. It is recommended not to count the stops during the first mechanical revolution because the alignment occurs during the first revolution and affects the number of stops. During the PP_ASSIST measurement, the current loop is enabled and the I_d current is controlled to *MID: Config Pp Id Meas*. The electrical position is generated by integrating the open-loop frequency *MID: Config Pp Freq El. Required*. If the rotor does not move after the start of PP_ASSIST assistant, stop the assistant, increase *MID: Config Pp Id Meas*, and restart the assistant.

10.7.5 Mechanical parameters measurement

The moment of inertia J and the viscous friction B can be identified using a test with the known generated torque T and the loading torque T_{load} .

$$\frac{d\omega_m}{dt} = \frac{1}{J} (T - T_{load} - B\omega_m) \text{ [rad/s}^2\text{]}$$

The ω_m character in the equation is the mechanical speed. The mechanical parameter identification software uses the torque profile. The loading torque is (for simplicity reasons) said to be 0 during the whole measurement. Only the friction and the motor-generated torque are considered. During the first phase of measurement, the constant torque T_{meas} is applied and the motor accelerates to 50 % of its nominal speed in time t_1 . These integrals are calculated during the period from t_0 (the speed estimation is accurate enough) to t_1 :

$$T_{int} = \int_{t_0}^{t_1} T dt \text{ [Nms]}$$

$$\omega_{int} = \int_{t_0}^{t_1} \omega_m dt \text{ [rad/s]}$$

During the second phase, the rotor decelerates freely with no generated torque, only by friction. This enables you to simply measure the mechanical time constant $\tau_m=J/B$ as the time in which the rotor decelerates from its original value by 63 %.

The final mechanical parameter estimation can be calculated by integrating:

$$\omega_m(t_1) = \frac{1}{J} T_{int} - \frac{B}{J} \omega_{int} + \omega_m(t_0) \text{ [rad/s]}$$

The moment of inertia is:

$$J = \frac{\tau_m T_{int}}{\tau_m [\omega_m(t_1) - \omega_m(t_0)] + \omega_{int}} \text{ [kgm}^2\text{]}$$

The viscous friction is then derived from the relation between the mechanical time constant and the moment of inertia. To use the mechanical parameters measurement, the current control loop bandwidth $f_{0,Current}$, the speed control loop bandwidth $f_{0,Speed}$, and the mechanical parameters measurement torque Trq_m must be set.

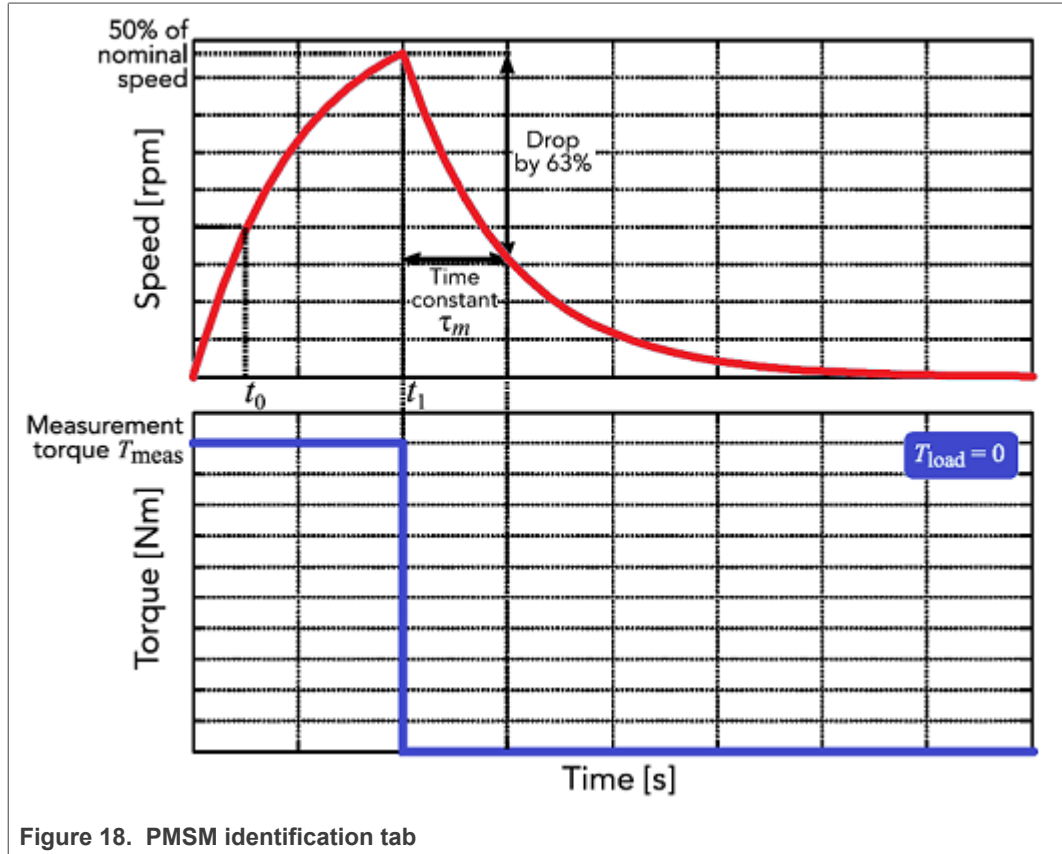


Figure 18. PMSM identification tab

10.8 Electrical parameters measurement control

This section describes how to control electrical parameters measurement, which contains measuring stator resistance R_s , direct inductance L_d and quadrature inductance L_q . There are available 4 modes of measurement which can be selected by *MID: Config El Mode Estim RL* variable.

Function *MCAA_EstimRLInit_FLT* must be called before the first use of *MCAA_EstimRL_FLT*. Function *MCAA_EstimRL_FLT* must be called periodically

with sampling period $F_SAMPLING$, which can be defined by user. Maximum sampling frequency $F_SAMPLING$ is 10 kHz. In the scopes under "Motor identification" FreeMASTER sub-block can be observed measured currents, estimated parameters etc.

10.8.1 Mode 0

This mode is automatic, inductances are measured at a single operating point. Rotor is not fixed. User has to specify nominal current (*MID: Config EI I DC nominal* variable). The AC and DC currents are automatically derived from the nominal current. Frequency of the AC signal set to default 500 Hz.

The function will output stator resistance R_s , direct inductance L_d and quadrature inductance L_q .

10.8.2 Mode 1

DC stepping is automatic at this mode. Rotor is not fixed. Compared to the *Mode 0*, there will be performed an automatic measurement of the inductances for a defined number (*NUM_MEAS*) of different DC current levels using positive values of the DC current. The L_{dq} dependency map can be seen in the "Inductances (Ld, Lq)" recorder. User has to specify following parameters before parameters estimation:

- *MID: Config EI I DC (estim Lq)* - Current to determine L_q . In most cases nominal current.
- *MID: Config EI I DC positive max* - Maximum positive DC current for the L_{dq} dependency map measurement.

Injected AC and DC currents are automatically derived from the *MID: Config EI I DC (estim Lq)* and *MID: Config EI I DC positive max* currents. Frequency of the AC signal set to default 500 Hz.

The function will output stator resistance R_s , direct inductance L_d , quadrature inductance L_q and L_{dq} dependency map.

10.8.3 Mode 2

DC stepping is automatic at this mode. Rotor must be mechanically fixed after initial alignment with the first phase. Compared to the *Mode 1*, there will be performed an automatic measurement of the inductances for a defined number (*NUM_MEAS*) of different DC current levels using both positive and negative values of the DC current. The estimated inductances can be seen in the "Inductances (Ld, Lq)" recorder. User has to specify following parameters before parameters estimation:

- *MID: Config EI I DC (estim Ld)* - Current to determine L_d . In most cases 0 A.
- *MID: Config EI I DC (estim Lq)* - Current to determine L_q . In most cases nominal current.
- *MID: Config EI I DC positive max* - Maximum positive DC current for the L_{dq} dependency map measurement. In most cases nominal current.
- *MID: Config EI I DC negative max* - Maximum negative DC current for the L_{dq} dependency map measurement.

Injected AC and DC currents are automatically derived from the *MID: Config EI I DC (estim Ld)*, *MID: Config EI I DC (estim Lq)*, *MID: Config EI I DC positive max* and *MID: Config EI I DC negative max* currents. Frequency of the AC signal set to default 500 Hz.

The function will output stator resistance R_s , direct inductance L_d , quadrature inductance L_q and L_{dq} dependency map.

10.8.4 Mode 3

This mode is manual. Rotor must be mechanically fixed after alignment with the first phase. R_s is not calculated at this mode. The estimated inductances can be observed in the "Ld" or "Lq" scopes. The following parameters can be changed during the runtime:

- *MID: Config El DQ-switch* - Axis switch for AC signal injection (0 for injection AC signal to d-axis, 1 for injection AC signal to q-axis).
- *MID: Config El I DC req (d-axis)* - Required DC current in d-axis.
- *MID: Config El I DC req (q-axis)* - Required DC current in q-axis.
- *MID: Config El I AC req* - Required AC current injected to the d-axis or q-axis.
- *MID: Config El I AC frequency* - Required frequency of the AC current injected to the d-axis or q-axis.

10.9 Initial configuration setting and update

1. Open the PMSM control application FreeMASTER project containing the dedicated MCAT plug-in module.
2. Select the "Parameters" tab.
3. Leave the measured motor parameters or specify the parameters manually. The motor parameters can be obtained from the motor data sheet or using the PMSM parameters measurement procedure described in *PMSM Electrical Parameters Measurement* (document [AN4680](#)). All parameters provided in [Table 16](#) are accessible. The motor inertia J expresses the overall system inertia and can be obtained using a mechanical measurement. The J parameter is used to calculate the speed controller constant. However, the manual controller tuning can also be used to calculate this constant.

Table 16. MCAT motor parameters

| Parameter | Units | Description | Typical range |
|-----------|----------------------|-------------------------------|---------------|
| pp | [-] | Motor pole pairs | 1-10 |
| Rs | [Ω] | 1-phase stator resistance | 0.3-50 |
| Ld | [H] | 1-phase direct inductance | 0.00001-0.1 |
| Lq | [H] | 1-phase quadrature inductance | 0.00001-0.1 |
| Ke | [V.sec/rad] | BEMF constant | 0.001-1 |
| J | [kg.m ²] | System inertia | 0.00001-0.1 |
| Iph nom | [A] | Motor nominal phase current | 0.5-8 |
| Uph nom | [V] | Motor nominal phase voltage | 10-300 |
| N nom | [rpm] | Motor nominal speed | 1000-2000 |

4. Set the hardware scales—the modification of these two fields is not required when a reference to the standard power stage board is used. These scales express the maximum measurable current and voltage analog quantities.

5. Check the fault limits—these fields are calculated using the motor parameters and hardware scales (see [Table 17](#)).

Table 17. Fault limits

| Parameter | Units | Description | Typical range |
|-------------|-------|----------------------------------------------------------------------|------------------------|
| U DCB trip | [V] | Voltage value at which the external braking resistor switch turns on | U DCB Over ~ U DCB max |
| U DCB under | [V] | Trigger value at which the undervoltage fault is detected | 0 ~ U DCB Over |
| U DCB over | [V] | Trigger value at which the overvoltage fault is detected | U DCB Under ~ U max |
| N over | [rpm] | Trigger value at which the overspeed fault is detected | N nom ~ N max |
| N min | [rpm] | Minimal actual speed value for the sensorless control | (0.05~0.2) *N max |

6. Check the application scales—these fields are calculated using the motor parameters and hardware scales.

Table 18. Application scales

| Parameter | Units | Description | Typical range |
|-----------|--------|-----------------------|---------------|
| N max | [rpm] | Speed scale | >1.1 * N nom |
| E block | [V] | BEMF scale | ke* Nmax |
| kt | [Nm/A] | Motor torque constant | - |

7. Check the alignment parameters—these fields are calculated using the motor parameters and hardware scales. The parameters express the required voltage value applied to the motor during the rotor alignment and its duration.

8. Click the “Store data” button to save the modified parameters into the inner file.

10.10 Control structure modes

1. Select the scalar control in the "M1 MCAT Control" FreeMASTER variable watch.
2. Set the "M1 Application Switch" variable to "ON". The application state changes to "RUN".
3. Set the required frequency value in the “M1 Scalar Freq Required” variable; for example, 15 Hz in the “Scalar & Voltage Control” FreeMASTER project tree. The motor starts running.
4. Select the “Phase Currents” recorder from the “Scalar & Voltage Control” FreeMASTER project tree.
5. The optimal ratio for the V/Hz profile can be found by changing the V/Hz factor directly using the “M1 V/Hz factor” variable. The shape of the motor currents should be close to a sinusoidal shape ([Figure 19](#)). Use the following equation for calculation V/Hz factor:

$$VHz_{factor} = \frac{U_{phnom} \cdot k_{factor}}{\frac{pp \cdot N_{nom}}{60} \cdot 100} [V / Hz]$$

where U_{phnom} is the nominal voltage, k_{factor} is ratio within range 0-100%, pp is the number of pole-pairs and N_{nom} are the nominal revolutions. Changes V/Hz factor won't be propagated to the m1_pmsm_appconfig.h!

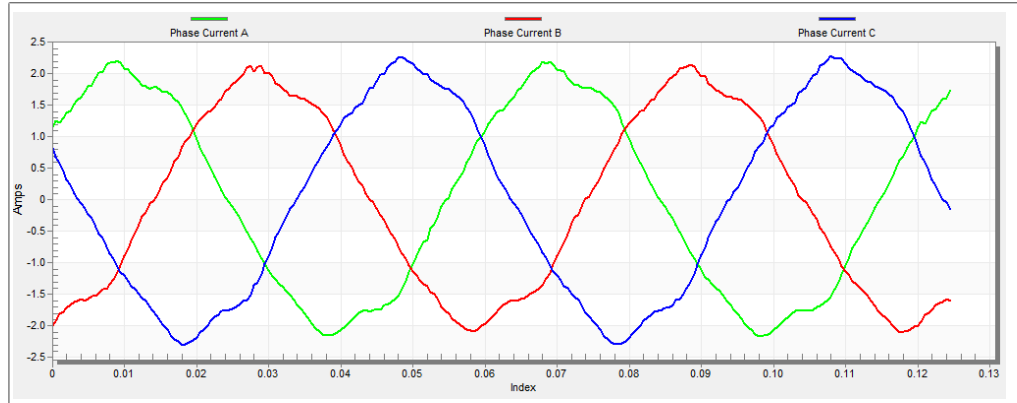


Figure 19. Phase currents

6. Select the "Position" recorder to check the observer functionality. The difference between the "Position Electrical Scalar" and the "Position Estimated" should be minimal (see Figure 20) for the Back-EMF position and speed observer to work properly. The position difference depends on the motor load. The higher the load, the bigger the difference between the positions due to the load angle.

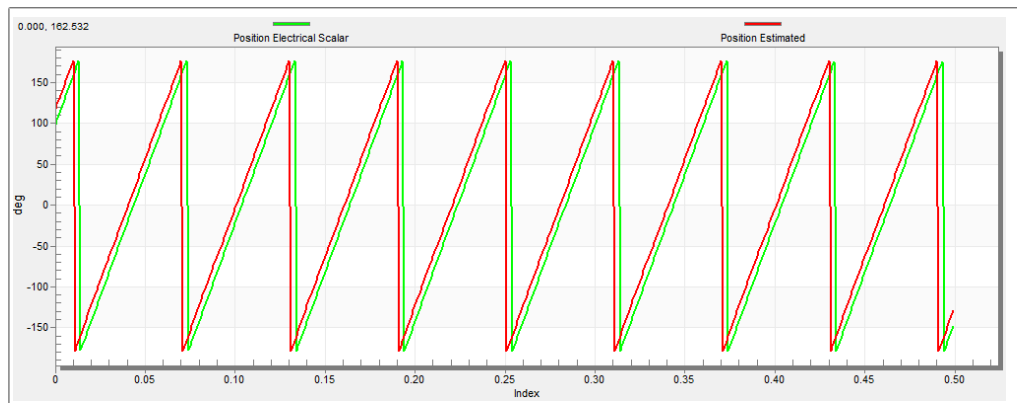


Figure 20. Generated and estimated positions

7. If an opposite speed direction is required, set a negative speed value into the "M1 Scalar Freq Required" variable.
8. The proper observer functionality and the measurement of analog quantities is expected at this step.
9. Enable the voltage FOC mode in the "M1 MCAT Control" variable while the main application switch "M1 Application Switch" is turned off.
10. Switch the main application switch on and set a non-zero value in the "M1 MCAT Uq Required" variable. The FOC algorithm uses the estimated position to run the motor.

10.11 Alignment tuning

For the alignment parameters, navigate to the "Parameters" MCAT tab. The alignment procedure sets the rotor to an accurate initial position and enables you to apply full start-up torque to the motor. A correct initial position is needed mainly for high start-up loads

(compressors, washers, and so on). The aim of the alignment is to have the rotor in a stable position, without any oscillations before the startup.

1. The alignment voltage is the value applied to the d-axis during the alignment. Increase this value for a higher shaft load.
2. The alignment duration expresses the time when the alignment routine is called. Tune this parameter to eliminate rotor oscillations or movement at the end of the alignment process.

10.12 Current loop tuning

The parameters for the current D, Q, and PI controllers are fully calculated using the motor parameters and no action is required in this mode. If the calculated loop parameters do not correspond to the required response, the bandwidth and attenuation parameters can be tuned.

1. Lock the motor shaft.
2. Set the required loop bandwidth and attenuation and click the “Update target” button in the “Current loop” tab. The tuning loop bandwidth parameter defines how fast the loop response is whilst the tuning loop attenuation parameter defines the actual quantity overshoot magnitude.
3. Select the “Current Controller Id” recorder.
4. Select the “Current Control” in the FreeMASTER project tree, select "CURRENT_FOC" in "M1 MCAT Control" variable. Set the “M1 MCAT Iq required” variable to a very low value (for example 0.01), and set the required step in “M1 MCAT Id required”. The control loop response is shown in the recorder.
5. Tune the loop bandwidth and attenuation until you achieve the required response. The example waveforms show the correct and incorrect settings of the current loop parameters:
 - The loop bandwidth is low (110 Hz) and the settling time of the Id current is long (Figure 21).

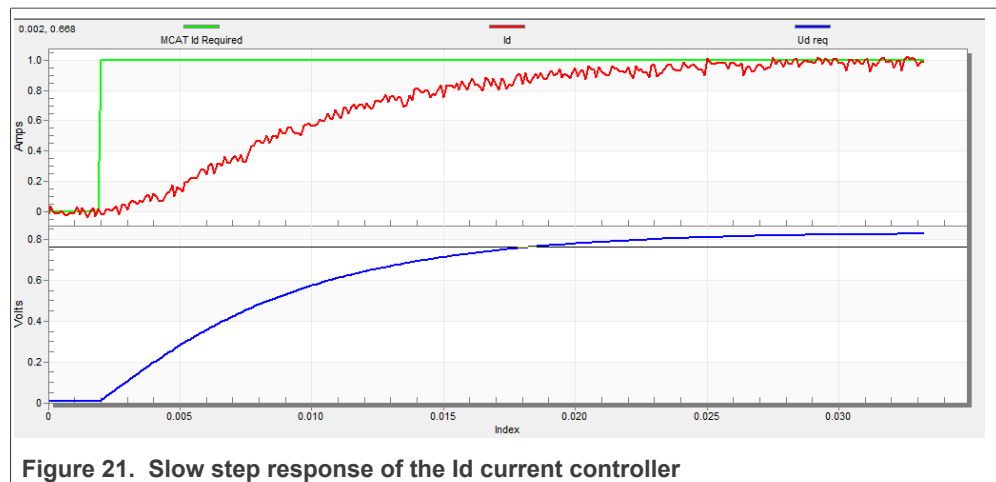


Figure 21. Slow step response of the Id current controller

- The loop bandwidth (400 Hz) is optimal and the response time of the Id current is sufficient (see Figure 22).

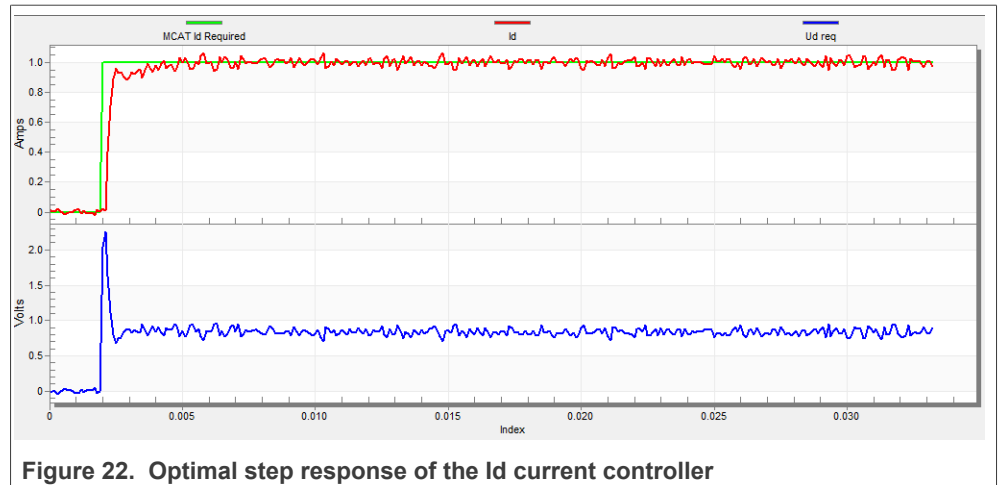


Figure 22. Optimal step response of the Id current controller

- The loop bandwidth is high (700 Hz) and the response time of the Id current is very fast, but with oscillation and overshoot (see [Figure 23](#)).

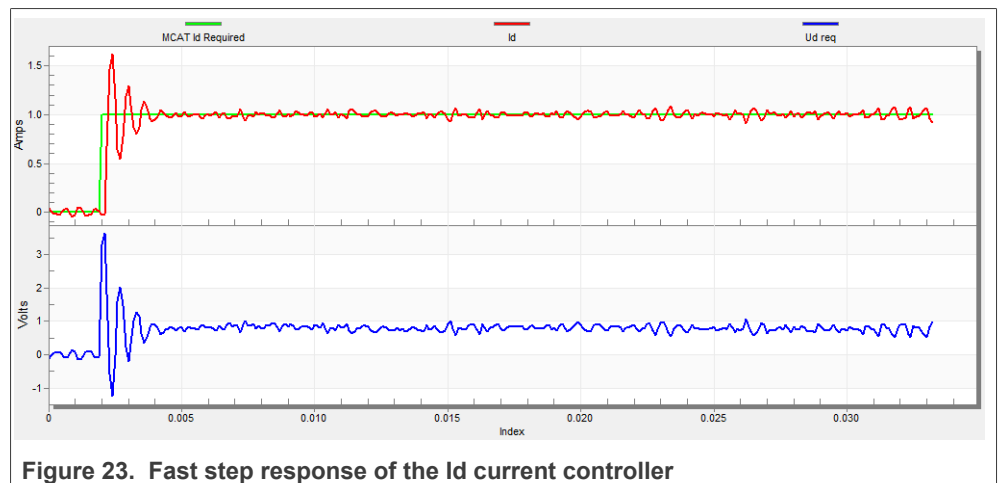
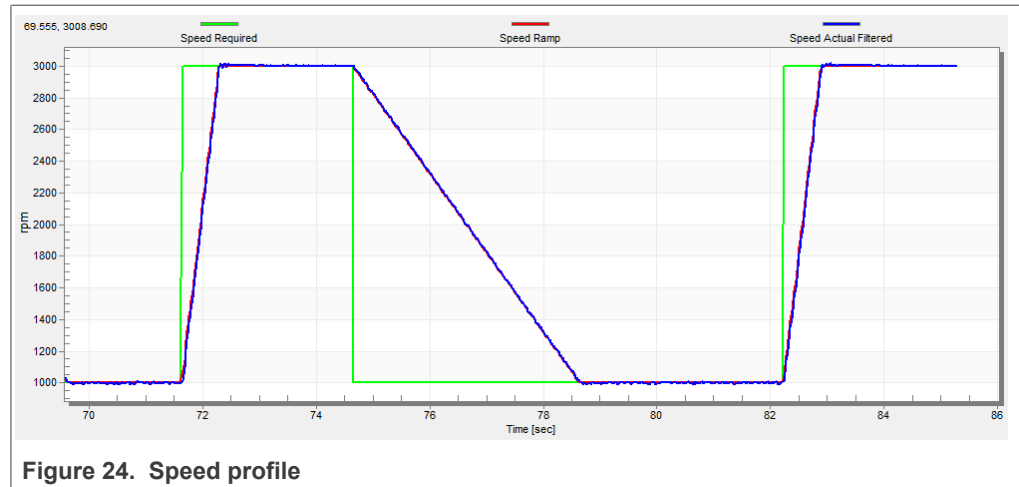


Figure 23. Fast step response of the Id current controller

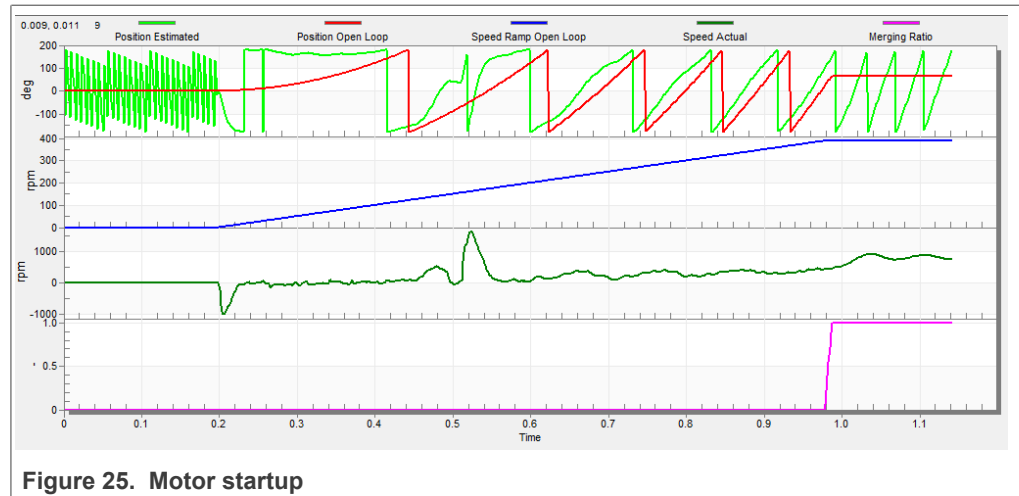
10.13 Speed ramp tuning

1. The speed command is applied to the speed controller through a speed ramp. The ramp function contains two increments (up and down) which express the motor acceleration and deceleration per second. If the increments are very high, they can cause an overcurrent fault during acceleration and an overvoltage fault during deceleration. In the “Speed” scope, you can see whether the “Speed Actual Filtered” waveform shape equals the “Speed Ramp” profile.
2. The increments are common for the scalar and speed control. The increment fields are in the “Speed loop” tab and accessible in both tuning modes. Clicking the “Update target” button applies the changes to the MCU. An example speed profile is shown in [Figure 24](#). The ramp increment down is set to 500 rpm/sec and the increment up is set to 3000 rpm/sec.
3. The start-up ramp increment is in the “Sensorless” tab and its value is usually higher than that of the speed loop ramp.



10.14 Open loop startup

1. The start-up process can be tuned by a set of parameters located in the “Sensorless” tab. Two of them (ramp increment and current) are accessible in both tuning modes. The start-up tuning can be processed in all control modes besides the scalar control. Setting the optimal values results in a proper motor startup. An example start-up state of low-dynamic drives (fans, pumps) is shown in [Figure 25](#).
2. Select the “Startup” recorder from the FreeMASTER project tree.
3. Set the start-up ramp increment typically to a higher value than the speed-loop ramp increment.
4. Set the start-up current according to the required start-up torque. For drives such as fans or pumps, the start-up torque is not very high and can be set to 15 % of the nominal current.
5. Set the required merging speed—when the open-loop and estimated position merging starts, the threshold is mostly set in the range of 5 % ~ 10 % of the nominal speed.
6. Set the merging coefficient—in the position merging process duration, 100 % corresponds to a half of an electrical revolution. The higher the value, the faster the merge. Values close to 1 % are set for the drives where a high start-up torque and smooth transitions between the open loop and the closed loop are required.
7. Click the “Update Target” button to apply the changes to the MCU.
8. Select “SPEED_FOC” in the “M1 MCAT Control” variable.
9. Set the required speed higher than the merging speed.
10. Check the start-up response in the recorder.
11. Tune the start-up parameters until you achieve an optimal response.
12. If the rotor does not start running, increase the start-up current.
13. If the merging process fails (the rotor is stuck or stopped), decrease the start-up ramp increment, increase the merging speed, and set the merging coefficient to 5 %.



10.15 BEMF observer tuning

1. The bandwidth and attenuation parameters of the BEMF observer and the tracking observer can be tuned. Navigate to the "Sensorless" MCAT tab.
2. Set the required bandwidth and attenuation of the BEMF observer—the bandwidth is typically set to a value close to the current loop bandwidth.
3. Set the required bandwidth and attenuation of the tracking observer—the bandwidth is typically set in the range of 10 – 20 Hz for most low-dynamic drives (fans, pumps).
4. Click the "Update target" button to apply the changes to the MCU.
5. Select the "Observer" recorder from the FreeMASTER project tree and check the observer response in the "Observer" recorder.

10.16 Speed PI controller tuning

The motor speed control loop is a first-order function with a mechanical time constant that depends on the motor inertia and friction. If the mechanical constant is available, the PI controller constants can be tuned using the loop bandwidth and attenuation. Otherwise, the manual tuning of the P and I portions of the speed controllers is available to obtain the required speed response (see the example response in [Figure 26](#)). There are dozens of approaches to tune the PI controller constants. The following steps provide an approach to set and tune the speed PI controller for a PM synchronous motor:

1. Select the "Speed Controller" option from the FreeMASTER project tree.
2. Select the "Speed loop" tab.
3. Check the "Manual Constant Tuning" option—that is, the "Bandwidth" and "Attenuation" fields are disabled and the "SL_Kp" and "SL_Ki" fields are enabled.
4. Tune the proportional gain:
 - Set the "SL_Ki" integral gain to 0.
 - Set the speed ramp to 1000 rpm/sec (or higher).
 - Run the motor at a convenient speed (about 30 % of the nominal speed).
 - Set a step in the required speed to 40 % of N_{nom} .
 - Adjust the proportional gain "SL_Kp" until the system responds to the required value properly and without any oscillations or excessive overshoot:
 - If the "SL_Kp" field is set low, the system response is slow.

- If the “SL_Kp” field is set high, the system response is tighter.
 - When the “SL_Ki” field is 0, the system most probably does not achieve the required speed.
 - Click the “Update Target” button to apply the changes to the MCU.
5. Tune the integral gain:
 - Increase the “SL_Ki” field slowly to minimize the difference between the required and actual speeds to 0.
 - Adjust the “SL_Ki” field such that you do not see any oscillation or large overshoot of the actual speed value while the required speed step is applied.
 - Click the “Update target” button to apply the changes to the MCU.
 6. Tune the loop bandwidth and attenuation until the required response is received. The example waveforms with the correct and incorrect settings of the speed loop parameters are shown in the following figures:
 - The “SL_Ki” value is low and the “Speed Actual Filtered” does not achieve the “Speed Ramp” (see [Figure 26](#)).

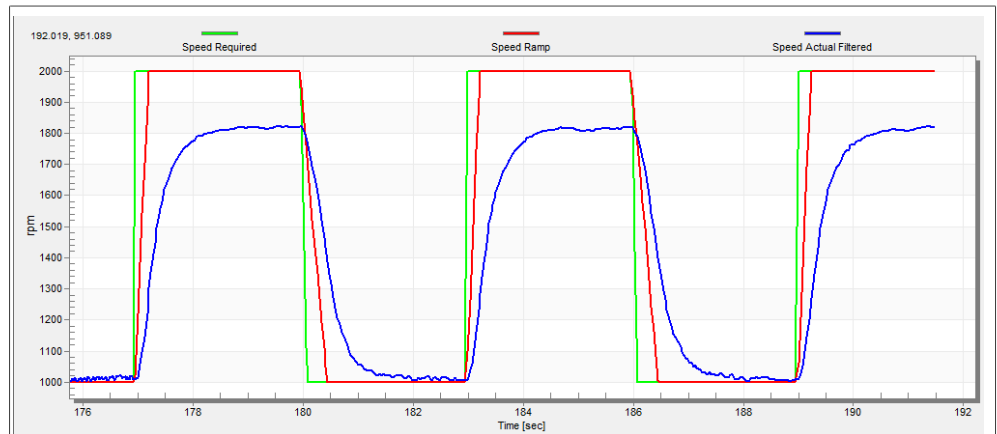


Figure 26. Speed controller response—SL_Ki value is low, Speed Ramp is not achieved

- The “SL_Kp” value is low, the “Speed Actual Filtered” greatly overshoots, and the long settling time is unwanted (see [Figure 27](#)).

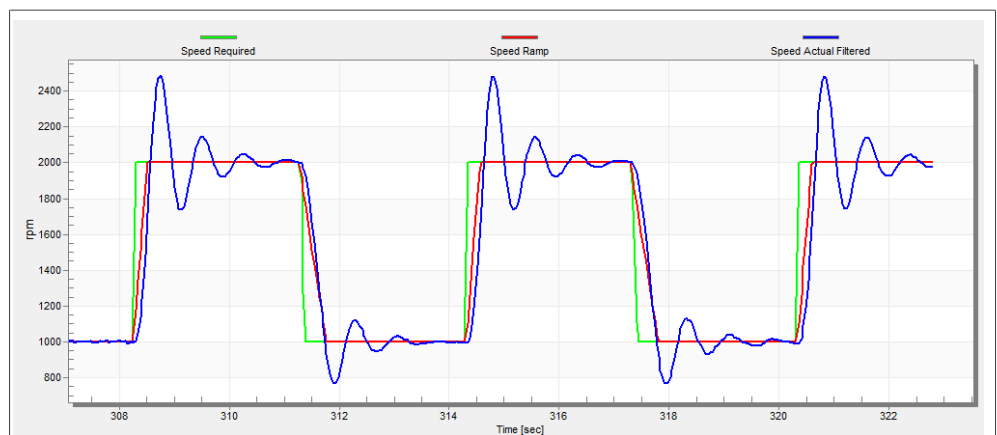


Figure 27. Speed controller response—SL_Kp value is low, Speed Actual Filtered greatly overshoots

- The speed loop response has a small overshoot and the “Speed Actual Filtered” settling time is sufficient. Such response can be considered optimal (see [Figure 28](#)).

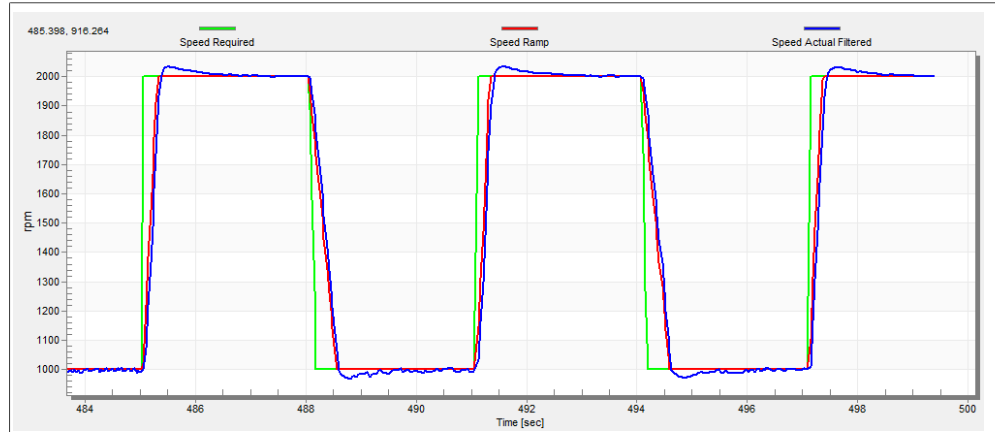


Figure 28. Speed controller response—speed loop response with a small overshoot

11 Conclusion

This application note describes the implementation of a sensorless field-oriented control of the 3-phase PMSM using 32-bit Kinetis V series devices and the High-Voltage Platform and Freedom development platforms. The hardware-dependent part of the control software is described in [Section 4](#). The motor control application timing is described in [Section 5](#) and the peripheral initialization in [Motor-control peripheral initialization](#). The motor user interface and remote control using FreeMASTER are as follows. The motor parameters identification theory and the identification algorithms are described in [Section 10.6](#).

12 Acronyms and abbreviations

Table 19. Acronyms and abbreviations

| Acronym | Meaning |
|---------|-------------------------------------------------------|
| ADC | Analog-to-Digital Converter |
| ACIM | Asynchronous Induction Motor |
| ADC_ETC | ADC External Trigger Control |
| AN | Application Note |
| BLDC | Brushless DC motor |
| CCM | Clock Controller Module |
| CPU | Central Processing Unit |
| DC | Direct Current |
| DRM | Design Reference Manual |
| ENC | Encoder |
| FOC | Field-Oriented Control |
| GPIO | General-Purpose Input/Output |
| LPIT | Low-power Periodic Interrupt Timer |
| LPUART | Low-power Universal Asynchronous Receiver/Transmitter |
| MCAT | Motor Control Application Tuning tool |
| MCDRV | Motor Control Peripheral Drivers |
| MCU | Microcontroller |
| PDB | Programmable Delay Block |
| PI | Proportional Integral controller |
| PLL | Phase-Locked Loop |
| PMSM | Permanent Magnet Synchronous Machine |
| PWM | Pulse-Width Modulation |
| QD | Quadrature Decoder |
| TMR | Quad Timer |
| USB | Universal Serial Bus |
| XBAR | Inter-Peripheral Crossbar Switch |
| IOPAMP | Internal operational amplifier |

13 References

These references are available on www.nxp.com:

1. *Sensorless PMSM Field-Oriented Control* (document [DRM148](#)).
2. *Motor Control Application Tuning (MCAT) Tool for 3-Phase PMSM* (document [AN4642](#)).
3. *Sensorless PMSM Field-Oriented Control on Kinetis KV* (document [AN5237](#)).
4. *PMSM Sensorless Application Package User's Guide* (document [PMSMSAPUG](#))

14 Useful links

1. MCUXpresso SDK for Motor Control www.nxp.com/motorcontrol
2. [FRDM-MC-PMSM Freedom Development Platform](#)
3. [TWR-MC-LV3PH Tower Development Platform](#)
4. [HVP-MC3PH High-Voltage Platform](#)
5. [MCUXpresso IDE - Importing MCUXpresso SDK](#)
6. [MCUXpresso Config Tool](#)
7. MCUXpresso SDK Builder (SDK examples in several IDEs) <https://mcuxpresso.nxp.com/en/welcome>

15 Revision history

[Table 20](#) summarizes the changes done to this document since the initial release.

Table 20. Revision history

| Revision number | Date | Substantive changes |
|-----------------|---------|-------------------------------------------------------|
| 0 | 01/2022 | Initial release |
| 1 | 07/2022 | FRDM-KV31F not supported MCAT with file management |
| 2 | 01/2023 | Updated tools |

16 Copyright and permissions

How To Reach Us

Home Page:

nxp.com

Web Support:

nxp.com/support

Information in this document is provided solely to enable system and software implementers to use NXP products. There are no express or implied copyright licenses granted hereunder to design or fabricate any integrated circuits based on the information in this document. NXP reserves the right to make changes without further notice to any products herein.

NXP makes no warranty, representation, or guarantee regarding the suitability of its products for any particular purpose, nor does NXP assume any liability arising out of the application or use of any product or circuit, and specifically disclaims any and all liability, including without limitation consequential or incidental damages. "Typical" parameters that may be provided in NXP data sheets and/or specifications can and do vary in different applications, and actual performance may vary over time. All operating parameters, including "typicals," must be validated for each customer application by customer's technical experts. NXP does not convey any license under its patent rights nor the rights of others. NXP sells products pursuant to standard terms and conditions of sale, which can be found at the following address: nxp.com/SalesTermsandConditions.

While NXP has implemented advanced security features, all products may be subject to unidentified vulnerabilities. Customers are responsible for the design and operation of their applications and products to reduce the effect of these vulnerabilities on customer's applications and products, and NXP accepts no liability for any vulnerability that is discovered. Customers should implement appropriate design and operating safeguards to minimize the risks associated with their applications and products.

NXP, the NXP logo, NXP SECURE CONNECTIONS FOR A SMARTER WORLD, COOLFLUX, EMBRACE, GREENCHIP, HITAG, I2C BUS, ICODE, JCOP, LIFE VIBES, MIFARE, MIFARE CLASSIC, MIFARE DESFire, MIFARE PLUS, MIFARE FLEX, MANTIS, MIFARE ULTRALIGHT, MIFARE4MOBILE, MIGLO, NTAG, ROADLINK, SMARTLX, SMARTMX, STARPLUG, TOPFET, TRENCHMOS, UCODE, Freescale, the Freescale logo, AltiVec, C-5, CodeTEST, CodeWarrior, ColdFire, Cold Fire+, C-Ware, the Energy Efficient Solutions logo, Kinetis, Layerscape, MagniV, mobileGT, PEG, PowerQUICC, Processor Expert, QorIQ, QorIQ Qonverge, Ready Play, SafeAssure, the SafeAssure logo, StarCore, Symphony, VortiQa, Vybrid, Airfast, BeeKit, BeeStack, CoreNet, Flexis, MXC, Platform in a Package, QUICC Engine, SMARTMOS, Tower, TurboLink, UMEMS, EdgeScale, EdgeLock, eIQ, and Immersive3D are trademarks of NXP B.V. All other product or service names are the property of their respective owners. AMBA, Arm, Arm7, Arm7TDMI, Arm9, Arm11, Artisan, big.LITTLE, Cordio, CoreLink, CoreSight, Cortex, Design Start, DynamIQ, Jazelle, Keil, Mali, Mbed, Mbed Enabled, NEON, POP, RealView, SecurCore, Socrates, Thumb, TrustZone, ULINK, ULINK2, ULINK-ME, ULINK-PLUS, ULINKpro, μ Vision, Versatile are trademarks or registered trademarks of Arm Limited (or its subsidiaries) in the US and/or elsewhere. The related technology may be protected by any or all of patents, copyrights, designs and trade secrets. All rights reserved. Oracle and Java are registered trademarks of Oracle and/or its affiliates. The Power Architecture and Power.org word marks and the Power and Power.org logos and related marks are trademarks and service marks licensed by Power.org.

Tables

| | | | | | |
|----------|----------------------------------------------|----|----------|----------------------------------|----|
| Tab. 1. | Available examples and control methods | 1 | Tab. 11. | Sensors tab input | 29 |
| Tab. 2. | Supported development boards | 2 | Tab. 12. | Sensorless tab input | 30 |
| Tab. 3. | MIGE 60CST-MO1330 motor parameters | 4 | Tab. 13. | Measurement faults | 36 |
| Tab. 4. | KV31 platform differences | 10 | Tab. 14. | Measurement warnings | 36 |
| Tab. 5. | KV31 CPU load and memory usage | 11 | Tab. 15. | MID Start Result variable | 37 |
| Tab. 6. | Control button assignment | 19 | Tab. 16. | MCAT motor parameters | 41 |
| Tab. 7. | Constants used in equations | 24 | Tab. 17. | Fault limits | 42 |
| Tab. 8. | Parameters tab inputs | 24 | Tab. 18. | Application scales | 42 |
| Tab. 9. | Current loop tab input | 27 | Tab. 19. | Acronyms and abbreviations | 51 |
| Tab. 10. | Speed loop tab input | 28 | Tab. 20. | Revision history | 54 |

Figures

| | | | | | |
|----------|------------------------------------------------------------------------|----|----------|----------------------------------------------------------------------------------------------------|----|
| Fig. 1. | MIGE 60CST-MO1330 motor | 4 | Fig. 16. | Position FOC control mode | 33 |
| Fig. 2. | High-voltage motor-control development platform block diagram | 5 | Fig. 17. | MID FreeMASTER control | 35 |
| Fig. 3. | HVP-MC3PH high-voltage platform | 6 | Fig. 18. | PMSM identification tab | 39 |
| Fig. 4. | HVP-KV31F120M daughter card | 6 | Fig. 19. | Phase currents | 43 |
| Fig. 5. | Hardware timing and synchronization on KV31F | 8 | Fig. 20. | Generated and estimated positions | 43 |
| Fig. 6. | Directory tree | 13 | Fig. 21. | Slow step response of the Id current controller | 44 |
| Fig. 7. | Green “GO” button placed in top left-hand corner | 20 | Fig. 22. | Optimal step response of the Id current controller | 45 |
| Fig. 8. | FreeMASTER—communication is established successfully | 20 | Fig. 23. | Fast step response of the Id current controller | 45 |
| Fig. 9. | FreeMASTER communication setup window | 21 | Fig. 24. | Speed profile | 46 |
| Fig. 10. | Default symbol file | 22 | Fig. 25. | Motor startup | 47 |
| Fig. 11. | FreeMASTER + MCAT layout | 23 | Fig. 26. | Speed controller response—SL_Ki value is low, Speed Ramp is not achieved | 48 |
| Fig. 12. | Scalar control mode | 31 | Fig. 27. | Speed controller response—SL_Kp value is low, Speed Actual Filtered greatly overshoots | 48 |
| Fig. 13. | Voltage FOC control mode | 32 | Fig. 28. | Speed controller response—speed loop response with a small overshoot | 49 |
| Fig. 14. | Current (torque) control mode | 32 | | | |
| Fig. 15. | Speed FOC control mode | 33 | | | |

Contents

| | | | | | |
|-----------|--------------------------------------------------------------|-----------|-----------|-------------------------------------------|-----------|
| 1 | Introduction | 1 | 10.7 | MID algorithms | 37 |
| 2 | Supported development boards for KV | 2 | 10.7.1 | Stator resistance measurement | 37 |
| 3 | Motor control vs. SDK peripheral drivers | 3 | 10.7.2 | Stator inductances measurement | 37 |
| 4 | Hardware setup | 4 | 10.7.3 | BEMF constant measurement | 37 |
| 4.1 | MIGE 60CST-MO1330 motor | 4 | 10.7.4 | Number of pole-pair assistant | 38 |
| 4.2 | Running PMSM application on High-Voltage Platform | 4 | 10.7.5 | Mechanical parameters measurement | 38 |
| 4.2.1 | HVP-MC3PH | 4 | 10.8 | Electrical parameters measurement control | 39 |
| 4.2.2 | HVP-KV31F120M daughter card | 6 | 10.8.1 | Mode 0 | 40 |
| 4.2.3 | HVP assembling | 6 | 10.8.2 | Mode 1 | 40 |
| 5 | MCU features and peripheral settings | 8 | 10.8.3 | Mode 2 | 40 |
| 5.1 | KV3x family | 8 | 10.8.4 | Mode 3 | 41 |
| 5.1.1 | Hardware timing and synchronization | 8 | 10.9 | Initial configuration setting and update | 41 |
| 5.1.2 | Peripheral settings | 9 | 10.10 | Control structure modes | 42 |
| 5.1.3 | PWM generation - FTM0 | 9 | 10.11 | Alignment tuning | 43 |
| 5.1.4 | Analog sensing – ADC0, ADC1 | 9 | 10.12 | Current loop tuning | 44 |
| 5.1.5 | PWM and ADC synchronization – PDB0 | 9 | 10.13 | Speed ramp tuning | 45 |
| 5.1.6 | Over-current detection at FRDM platform – CMP1 | 10 | 10.14 | Open loop startup | 46 |
| 5.1.7 | Slow loop interrupt generation – FTM2 | 10 | 10.15 | BEMF observer tuning | 47 |
| 5.1.8 | Communication with MC33937 MOSFET driver – SPI | 10 | 10.16 | Speed PI controller tuning | 47 |
| 5.1.9 | Peripheral settings differences among platforms | 10 | 11 | Conclusion | 50 |
| 5.1.10 | CPU load and memory usage | 11 | 12 | Acronyms and abbreviations | 51 |
| 5.2 | Available motor control examples | 11 | 13 | References | 52 |
| 5.2.1 | pmsm_snsless example | 12 | 14 | Useful links | 53 |
| 5.2.2 | Change motor configuration | 12 | 15 | Revision history | 54 |
| 6 | Project file and IDE workspace structure | 13 | 16 | Copyright and permission | 55 |
| 6.1 | PMSM project structure | 13 | | | |
| 7 | Tools | 16 | | | |
| 7.1 | Compiler warnings | 16 | | | |
| 8 | Motor-control peripheral initialization | 17 | | | |
| 8.1 | mc_pmsm example: | 17 | | | |
| 9 | User interface | 19 | | | |
| 10 | Remote control using FreeMASTER | 20 | | | |
| 10.1 | Establishing FreeMASTER communication | 20 | | | |
| 10.2 | TSA replacement with ELF file | 21 | | | |
| 10.3 | MCAT FreeMASTER interface (Motor Control Application Tuning) | 22 | | | |
| 10.3.1 | MCAT tabs' description | 24 | | | |
| 10.3.1.1 | Application concept | 24 | | | |
| 10.3.1.2 | Parameters | 24 | | | |
| 10.3.1.3 | Current loop | 27 | | | |
| 10.3.1.4 | Speed loop | 28 | | | |
| 10.3.1.5 | Sensors | 29 | | | |
| 10.3.1.6 | Sensorless | 30 | | | |
| 10.4 | Motor Control Modes | 31 | | | |
| 10.4.1 | Control structure | 31 | | | |
| 10.5 | Switch between Spin and MID | 33 | | | |
| 10.6 | Identifying parameters of user motor | 34 | | | |
| 10.6.1 | Motor parameter identification using MID | 35 | | | |
| 10.6.2 | MID faults and warnings | 36 | | | |