



# S12ZVM 3相PMSM水泵

## S12ZVM-EWP-PMSM

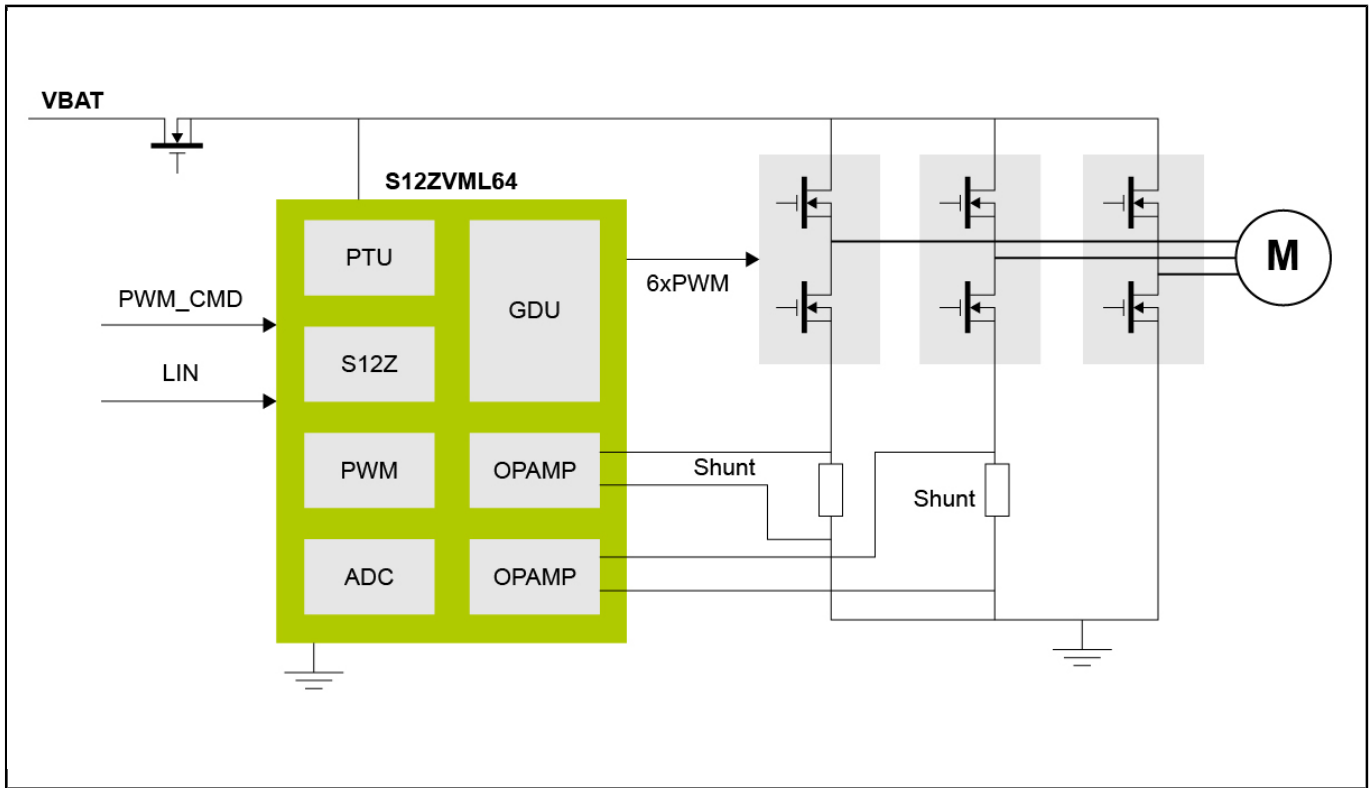
Last Updated: Aug 25, 2022

S12ZVM-EWP是一款参考设计板，专为3相永磁同步电机(PMSM)水泵而设计，具有无传感器FOC双分流控制应用。

S12ZVM-EWP基于16位S12MagniV®S12ZVM混合信号微控制器，提供A-sample PMSM电动水泵ECU硬件和软件，以加速水泵产品的开发和生产。

使用恩智浦水泵解决方案更快地进入市场 - 简介

## 三相水泵 Block Diagram



View additional information for [S12ZVM 3相PMSM水泵](#).

**Note:** The information on this document is subject to change without notice.

[www.nxp.com](http://www.nxp.com)

NXP and the NXP logo are trademarks of NXP B.V. All other product or service names are the property of their respective owners. The related technology may be protected by any or all of patents, copyrights, designs and trade secrets. All rights reserved. © 2024 NXP B.V.