



S12XD汽车和工业微控制器(MCU)

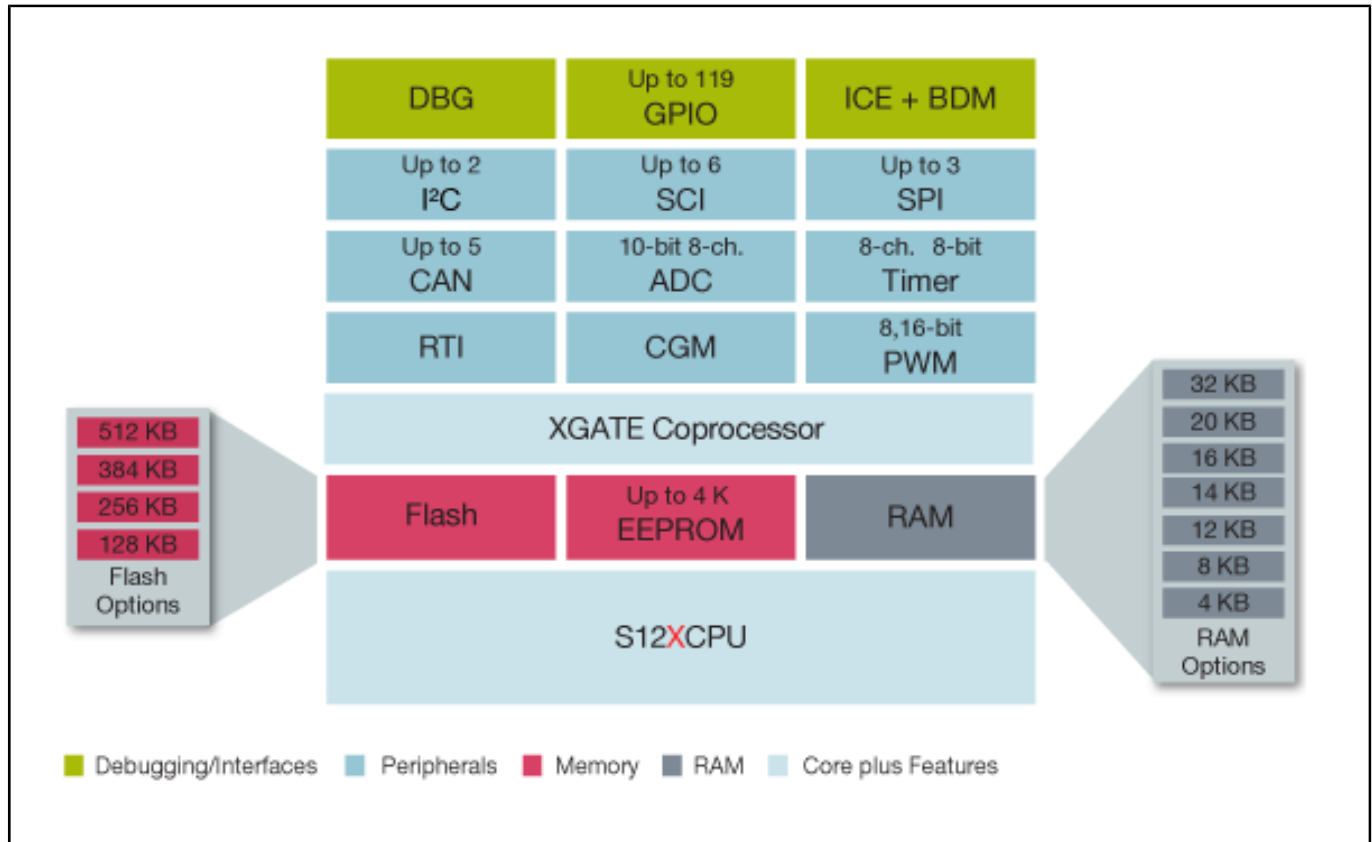
S12XD

Last Updated: Apr 8, 2022

MC9S12XD系列面向汽车多路复用和需要64 KB至512 KB闪存的中端车身应用，提供32位性能（运行频率高达 80 MHz），具有16位MCU的所有优点和高效率。

S12X具有低功耗、卓越的电磁兼容性能和代码效率等优点。

S12XD Microcontroller Block Diagram Block Diagram



View additional information for [S12XD汽车和工业微控制器\(MCU\)](#).

Note: The information on this document is subject to change without notice.

www.nxp.com

NXP and the NXP logo are trademarks of NXP B.V. All other product or service names are the property of their respective owners. The related technology may be protected by any or all of patents, copyrights, designs and trade secrets. All rights reserved. © 2024 NXP B.V.